



## **PARTS CATALOGUE**

**APPLICABLE FOR ALL THE TVS KING MODELS AND VARIANTS**

### **NOTICE**

The description and illustrations in this booklet are not to be taken as binding on the manufacturers. The essential features of the type described and illustrated herein remains unaltered, TVS MOTOR COMPANY LIMITED, reserves the right to carry out any moment, without being obliged to bring this booklet up-date modifications, on the vehicle, parts or accessories, as may be convenient and necessary.

Copying, quoting or reproducing any part of this catalogue without the written permission of TVS MOTOR COMPANY LIMITED, is expressly prohibited.

## FOREWORD

We have great pleasure in releasing the first edition of TVS King Parts catalogue. This parts catalogue is applicable for the following models and variants.

### 4 STROKE

TVS KING GS  
TVS KING LS  
TVS KING ZS  
TVS KING ARJUN

### 2 STROKE

TVS KING GX  
TVS KING LX  
TVS KING ZX

This catalogue is designed to assist you to select correct parts for ordering.

TVS Genuine parts have a rigorous standard of quality check at various stages. So while it becomes important to use only TVS-Genuine parts. In continues efforts in improving the performance and efficiency of the vehicle, design, specifications, diagram/illustrations and part numbers can change without any notice. It is your responsibility to get your parts catalogue updated through the information given to you from TVS Motor.

While ordering spare parts ensure that correct part numbers, part description and quantity are clearly mentioned.

Please note that the drawings and the illustrations are for ready reference of spare part numbers and description only. It is not designed to be used as an assembly or servicing reference manual. For servicing please use "TVSM 3 WHEELER SERVICE MANUAL".

This parts catalogue is exclusively for "TVS MOTOR COMPANY'S Authorised Dealers / Service Centers and Parts Stockiest".

In case of any assistance, please contact / write to us.

### TVS MOTOR COMPANY LIMITED

3Wheeler Spare Parts Department  
Post Box No.4, Harita, Hosur 635 109  
Krishnagiri District, Tamil Nadu  
Tel.: 04344 276780 ,8870001503  
Fax : 04344 - 277321

## INSTRUCTIONS FOR USING THE CATALOGUE

1. How to read the catalogue: Open the catalogue and from the figure index locate the group in which the part you want to find is present. Turn over the concerned page number (as given by figure index). Now find out the figure number from the text.

In case, if you have the part number and you need the other details, the part index can be used. The part index (at the end of the catalogue) will give you the figure and page number of the part you wish to order. Also can refer Description Index then locate the figure number and Page number respectively.

2. How to order spare parts: The part number and the description of the part required should be invariably mentioned in the order as per the catalogue text.

The latest part number as conveyed through our circulars should be appear on the order. In case of ordering coloured components, colour code of the components should be mentioned.

The quantity shown against the part number is the quantity per vehicle.

3. Model Code System :

### **Model Code**

A - COMMON FOR 2STROKE & 4 STROKE

4S - ONLY 4STROKE

2S - ONLY 2 STROKE

### **Varient Code**

P - PETROL

L - LPG

C - CNG

LSM - LPG SINGLE MODE

A - ALL VARIANTS

# TABLE OF CONTENTS

Sl.No	Description	Page No.
1	COLOUR WISE VEHICLE DETAILS	1
2	COLOUR WISE PARTS DETAILS	3
3	SPARE PARTS KIT DETAILS	5
4	VEHICLE STICKERS & SPECIAL TOOLS	15
5	STANDARD ACCESSORIES DETAILS	16
6	FIGURE INDEX	17
7	CRANK CASE & CRANK SHAFT ASSEMBLY - 2S	20
8	CRANK CASE & CRANK SHAFT ASSEMBLY - 4S	24
9	CYLINDER BLOCK & PISTON ASSEMBLY - 2S	30
10	CYLINDER BLOCK ASSEMBLY - 4S	32
11	CLUTCH ASSEMBLY - 2S	36
12	GEAR BOX ASSEMBLY	38
13	GEAR SHIFTER MECHANISM	40
14	DIFFERENTIAL ASSEMBLY	42
15	OIL PUMP & SECONDARY AIR INJECTION ASSEMBLY - 2S	44
16	INDUCTION SYSTEM	46
17	CARBURETOR ASSEMBLY	50

# TABLE OF CONTENTS

Plate No.	Description	Page No.
18	MUFFLER ASSEMBLY	54
19	FUEL AND OIL TANK ASSEMBLY	56
20	HANDLE BAR ASSEMBLY	58
21	FRONT FORK ASSEMBLY	60
22	DASH BOARD ASSEMBLY	64
23	HAND STARTER & PARKING BRAKE MECHANISM	66
24	TRANSMISSION & CONTROLS UNITS	68
25	FRONT WHEEL & SPEEDO UNIT	72
26	REAR WHEEL ASSEMBLY	74
27	HYDRAULIC BRAKE SYSTEM	76
28	CHASSIS & SOFT TOP ASSEMBLY	78
29	PASSENGER BODY & ELECTRICALS	80
30	LIGHTING SYSTEM & WINDSHIELD ASSEMBLY	84
31	SEAT ASSEMBLY	88
32	LPG FUEL SYSTEM	90
33	CNG FUEL SYSTEM	94
34	PART NUMBER INDEX	98
35	DESCRIPTION INDEX	107

## COLOUR WISE VEHICLE DETAILS

Sl.No.	Part Number	Vehicle Description	Sl.No.	Part Number	Vehicle Description
<b>4 STROKE DOMESTIC</b>			9	G51900305R	TVS KING LX - 2S LPG ES - GOLDEN YELLOW
1	G41900205G	TVS KING 4S CNG ES BR RED	10	G5190030M	TVS KING LX - 2S LPG ES - N. BLUE
2	G4190020M	TVS KING 4S CNG ES NEP BLUE	11	G51900303D	TVS KING LX -2S LPG ES -BLACK
3	G41900205R	TVS KING 4S CNG ES - GOLDEN YELLOW	12	G51900403D	TVS KING ZX - 2S CNG ES - BLACK
4	G41900305G	TVS KING 4S LPG ES BR RED	13	G51900405G	TVS KING ZX - 2S CNG ES - BR. RED
5	G4190030M	TVS KING 4S LPG ES NEP BLUE	14	G51900408L	TVS KING ZX - 2S CNG ES - ECO GREEN
6	G41900608L	TVS KING ARJUN4S LPG SINGLE MODE ECO GREEN	15	G51900405R	TVS KING ZX - 2S CNG ES - G.YELLOW
7	G41900105G	TVS KING GS - 4S PETROL ES - BR RED	16	G5190040M	TVS KING ZX - 2S CNG ES - NEPTUNE BLUE
8	G41900108L	TVS KING GS - 4S PETROL ES - ECO GREEN	<b>4 STROKE EXPORT</b>		
9	G41900105R	TVS KING GS - 4S PETROL ES - GOLDEN YELL	1	G41901203D	TVS KING 4S CNG EXP BLACK
10	G4190010M	TVS KING GS - 4S PETROL ES - NEP BLUE	2	G41901208L	TVS KING 4S CNG EXP ECO GREEN
11	G41900103D	TVS KING GS-4S PETROL ES-BLACK	3	G4190120M	TVS KING 4S CNG EXP NEPTUNE BLUE
12	G41900308L	TVS KING LS - 4S LPG ES ECO GREEN	4	G41901205G	TVS KING 4S CNG EXP NF WINE RED
13	G41900305R	TVS KING LS - 4S LPG ES GOLDEN YELLOW	5	G41901205R	TVS KING 4S CNG EXP YELLOW
14	G41900303D	TVS KING LS-4S LPG ES BLACK	6	G41901608L	TVS KING 4S CNG SFT EXP ECO GREEN
15	G41900203D	TVS KING ZS - 4S CNG ES - BLACK	7	G41901403D	TVS KING 4S LPG EXP BLACK
16	G41900208L	TVS KING ZS - 4S CNG ES - ECO GREEN	8	G41901408L	TVS KING 4S LPG EXP ECO GREEN
<b>2 STROKE DOMESTIC</b>			9	G4190140M	TVS KING 4S LPG EXP NEPTUNE BLUE
1	G51900505G	TVS KING GX - 2S PETROL ES - BR RED	10	G41901405G	TVS KING 4S LPG EXP NF WINE RED
2	G51900505R	TVS KING GX - 2S PETROL ES - G. YELLOW	11	G41901405R	TVS KING 4S LPG EXP YELLOW
3	G5190050M	TVS KING GX - 2S PETROL ES - NEP BLUE	12	G41901808L	TVS KING 4S LPG STBL WS EXP ECO GREEN
4	G51900501F	TVS KING GX-2S PETROL ES- WHITE	13	G41901805R	TVS KING 4S LPG STBL WS EXP G YELLOW
5	G51900503D	TVS KING GX-2S PETROL ES- BLACK	14	G4190180M	TVS KING 4S LPG STBL WS EXP NEP BLUE
6	G51900508L	TVS KING GX-2S PETROL ES- ECO GREEN	15	G41901805G	TVS KING 4S LPG STBL WS EXP NF WINE RED
7	G51900301F	TVS KING LPG CIELO WHITE	16	G41901803D	TVS KING 4S LPG STBL WS EXP RIK BLACK
8	G51900305G	TVS KING LX - 2S LPG ES - BR RED	17	G41901705G	TVS KING 4S PETROL ES BR RED EXP CKD

## COLOUR WISE VEHICLE DETAILS

Sl.No.	Part Number	Vehicle Description	Sl.No.	Part Number	Vehicle Description
18	G41901708L	TVS KING 4S PETROL ES ECO GREEN EXP CKD	44	G41901003F	TVS KING 4S PETROL EXP WEGO WH
19	G4190170M	TVS KING 4S PETROL ES NEP BLUE EXP CKD	45	G41901508L	TVS KING 4S PETROL SEB EXP ECO GREEN
20	G41902005R	TVS KING 4S PETROL ES SB EXP G YELLOW	46	G41901503D	TVS KING 4S PETROL SEB EXP MICA BLACK
21	G41902005G	TVS KING 4S PETROL ES SB EXP NF WINE RED	47	G4190150M	TVS KING 4S PETROL SEB EXP NEPTUNE BLUE
22	G41902003F	TVS KING 4S PETROL ES SB EXP WEGO WH	48	G41901505G	TVS KING 4S PETROL SEB EXP NF WINE RED
23	G41901103D	TVS KING 4S PETROL ES STBL EXP BLACK	49	G41901505R	TVS KING 4S PETROL SEB EXP YELLOW
24	G41901108L	TVS KING 4S PETROL ES STBL EXP ECO GREEN	50	G41901303D	TVS KING 4S PETROL WHT EXP BLACK
25	G4190110M	TVS KING 4S PETROL ES STBL EXP NEP BLUE	51	G41901308L	TVS KING 4S PETROL WHT EXP ECO GREEN
26	G41901105G	TVS KING 4S PETROL ES STBL EXP RED	52	G4190130M	TVS KING 4S PETROL WHT EXP NEPTUNE BLUE
27	G41901105R	TVS KING 4S PETROL ES STBL EXP YELLOW	53	G41901305G	TVS KING 4S PETROL WHT EXP RED
28	G41901705R	TVS KING 4S PETROL ES YELLOW EXP CKD	54	G41901305R	TVS KING 4S PETROL WHT EXP YELLOW
29	G41901003D	TVS KING 4S PETROL EXP BLACK	<b>2 STROKE EXPORT</b>		
30	G41901903D	TVS KING 4S PETROL EXP CAT & SEB BLACK	1	G51900803D	TVS KING 2S CNG ES EXP BLACK
31	G4190190M	TVS KING 4S PETROL EXP CAT & SEB BLUE	2	G51900808L	TVS KING 2S CNG ES EXP ECO GREEN
32	G41901908L	TVS KING 4S PETROL EXP CAT & SEB GREEN	3	G5190080M	TVS KING 2S CNG ES EXP NEPTUNE BLUE
33	G41901905G	TVS KING 4S PETROL EXP CAT & SEB RED	4	G51900805G	TVS KING 2S CNG ES EXP NF WINE RED
34	G41901905R	TVS KING 4S PETROL EXP CAT & SEB YELLOW	5	G51900703D	TVS KING 2S LPG ES EXP BLACK
35	G41901008L	TVS KING 4S PETROL EXP ECO GREEN	6	G51900708L	TVS KING 2S LPG ES EXP ECO GREEN
36	G41902108L	TVS KING 4S PETROL EXP EGP ECO GREEN	7	G5190070M	TVS KING 2S LPG ES EXP NEPTUNE BLUE
37	G41902105R	TVS KING 4S PETROL EXP EGP G YELLOW	8	G51900705G	TVS KING 2S LPG ES EXP NF WINE RED
38	G4190210M	TVS KING 4S PETROL EXP EGP NEP BLUE	9	G51900705R	TVS KING 2S LPG ES EXP YELLOW
39	G41902105G	TVS KING 4S PETROL EXP EGP NF WINE RED	10	G51900603D	TVS KING GX - 2S PETROL ES EXP BLACK
40	G41902103D	TVS KING 4S PETROL EXP EGP RIK BLACK	11	G51900608L	TVS KING GX - 2S PETROL ES EXP ECO GREEN
41	G41901005R	TVS KING 4S PETROL EXP GOLD	12	G51900605R	TVS KING GX - 2S PETROL ES EXP GOLD / G
42	G4190100M	TVS KING 4S PETROL EXP NEP BLUE	13	G51900605G	TVS KING GX - 2S PETROL ES EXP- BR RED
43	G41901005G	TVS KING 4S PETROL EXP NF WINE RED	14	G5190060M	TVS KING GX - 2S PETROL ES EXP- NEP BLUE



## COLOUR WISE PARTS DETAILS

PASSENGER CABIN					CHASSIS ASSEMBLY				
PART NO.	DESCRIPTION	Q/VH	MODEL**	VARIANT*	PART NO.	DESCRIPTION	Q/VH	MODEL**	VARIANT*
G52214901F	CABIN ASSY CIELO WHITE	1	A	A	G51231905G	CHASSIS ASSY LPG - BR RED	1	A	L
G52214905G	CABIN ASSY LPG/CNG - BR RED	1	A	A	G51231908L	CHASSIS ASSY LPG - ECO GREEN	1	A	L
G52214908L	CABIN ASSY LPG/CNG - ECO GREEN	1	A	A	G51231905R	CHASSIS ASSY LPG - GOLDEN YELLOW	1	A	L
G52214905R	CABIN ASSY LPG/CNG - GOLDEN YELLOW	1	A	A	G51231903D	CHASSIS ASSY LPG - RIKSHAW BLACK	1	A	L
G52214903D	CABIN ASSY LPG/CNG - RIKSHAW BLACK	1	A	A	G51239605G	CHASSIS ASSY ES - BR RED	1	A	P
G52214903F	CABIN ASSY LPG/CNG - WEGO WHITE	1	A	A	G51239608L	CHASSIS ASSY ES - ECO GREEN	1	A	P
G5221490M	CABIN ASSY - NEPTUNE BLUE	1	A	A	G51239605R	CHASSIS ASSY ES - GOLDEN YELLOW	1	A	P
G42200708L	CABIN ASSY LPG/CNG SINGLE MODE- GREEN	1	4S	SM	G5123960M	CHASSIS ASSY ES - NEPTUNE BLUE	1	A	P
WINDSHIELD ASSEMBLY					G51239603D	CHASSIS ASSY ES - RIKSHAW BLACK	1	A	P
PART NO.	DESCRIPTION	Q/VH	MODEL**	VARIANT*	G51239603F	CHASSIS ASSY ES - WEGO WHITE	1	A	P
G52226501F	WINDSHIELD ASSY + STICKER CIELO WHITE	1	A	A	G51239601F	CHASSIS ASSY ES - WHITE	1	A	P
G52226508L	WINDSHIELD ASSY + STICKER ECO GREEN	1	A	A	G51239805G	CHASSIS ASSY CNG - BR RED	1	A	C
G52226503D	WINDSHIELD ASSY + STICKER BLACK	1	A	A	G51239808L	CHASSIS ASSY CNG - ECO GREEN	1	A	C
G52226503F	WINDSHIELD ASSY + STICKER MICA BLACK	1	A	A	G51239805R	CHASSIS ASSY CNG - GOLDEN YELLOW	1	A	C
G5222650M	WINDSHIELD ASSY + STICKER NEPTUNE BLUE	1	A	A	G5123980M	CHASSIS ASSY CNG - NEPTUNE BLUE	1	A	C
G52226505G	WINDSHIELD ASSY + STICKER - BR RED	1	A	A	G51239803D	CHASSIS ASSY CNG - RIKSHAW BLACK	1	A	C
G52226505R	WINDSHIELD ASSY+STICKER - GOLDEN YELLOW	1	A	A					
TAIL DOOR ASSEMBLY					LID COMPLETE FUEL TANK				
PART NO.	DESCRIPTION	Q/VH	MODEL**	VARIANT*	PART NO.	DESCRIPTION	Q/VH	MODEL**	VARIANT*
G52206005R	TAIL DOOR ASSY - GOLDEN YELLOW	1	A	A	G52206503D	LID COMP FUEL TANK BLACK	1	A	A
G52206003D	TAIL DOOR ASSY - RIKSHAW BLACK	1	A	A	G52206508L	LID COMP FUEL TANK GREEN	1	A	A
G52206003F	TAIL DOOR ASSY - WEGO WHITE	1	A	A	G52206503F	LID COMP FUEL TANK WEGO WHITE	1	A	A
					G52206505R	LID COMP FUEL TANK YELLOW	1	A	A

\*\* A - Common 2 & 4 Stroke models , 2S - Only 2 Stroke, 4S Only 4 Stroke

\* (A - All Variants) (P - Petrol ES) (L - LPG) (C - CNG) (LSM -LPG Single Mode)

## COLOUR WISE PARTS DETAILS

WINDSHIELD FRAME					FRONT FENDOR				
PART NO.	DESCRIPTION	Q/VH	MODEL**	VARIANT*	PART NO.	DESCRIPTION	Q/VH	MODEL**	VARIANT*
G52200108L	WINDSHIELD ASSY ECO GREEN	1	A	A	G52206901FA	FENDER CIELO WHITE	1	A	A
G52200103D	WINDSHIELD ASSY - BLACK	1	A	A	G52206903D	FENDER FR BLACK	1	A	A
G52200105G	WINDSHIELD ASSY - BR RED	1	A	A	G52206908L	FENDER FR GREEN	1	A	A
G52200101F	WINDSHIELD ASSY - WHITE	1	A	A	G52206905G	FENDER FR BR RED	1	A	A
G52200103F	WINDSHIELD ASSY - WHITE	1	A	A	G52206903F	FENDER FR WEGO WHITE	1	A	A
G52200105R	WINDSHIELD FRAME - GOLDEN YELLOW	1	A	A	G52206905R	FENDER FR YELLOW	1	A	A
G5220010M	WINDSHIELD NEP BLUE	1	A	A	G5220690M	FENDER NEPTUNE BLUE	1	A	A

CANVAS SOFT TOP KIT				
PART NO.	DESCRIPTION	Q/VH	MODEL**	VARIANT*
G52225001F	CANVAS KIT SOFT TOP CIELO WHITE	1	A	A
G52225008L	CANVAS KIT SOFT TOP ECO GREEN	1	A	A
G52225005R	CANVAS SOFT TOP - YELLOW	1	A	A
G52225007H	CANVAS SOFT TOP -BROWN	1	A	A

## SPARE PARTS KIT DETAILS

REF NO.	PART NO.	DESCRIPTION	Q/VH	MODEL**	VARIANT*	REF NO.	PART NO.	DESCRIPTION	Q/VH	MODEL	VARIANT*
1	G2020160	Piston Assly With Rings,Pin & Circlip	1	2S	A	5	G5320500	Steering Cone Kit Top	1	A	A
	G2010110	Piston Dia Gr C (Std)	1	2S	A		G2150630	Outer Race Top	1	A	A
	G2010140	Ring Piston	2	2S	A		G2150120	Cage Assy Top	1	A	A
	G2010210	Circlip, Piston	2	2S	A		G2150030	Bearing Race Inner Top	1	A	A
	G2010200	Piston, Pin	1	2S	A	6	G5320510	Steering Cone Kit Bottom	1	A	A
	G2010170	Expander, Ring	1	2S	A		G2150620	Outer Race Bottom	1	A	A
	G2200430	Needle Cage Piston Pin(Blue)	1	2S	A		G2150110	Ball Race Assy Lower	1	A	A
2	G3320050	Bevel Satellite Gear Kit	1	A	A		G2150080	Inner Race Bottom	1	A	A
	G2081410	Satellite Gear, Differential	1	A	A		G2150070	Dust Cover Inner	1	A	A
	G2081400	Bevel Gear, Differential	1	A	A	7	G2112190	Major Kit - Wheel Cylinder Kit	1	A	A
3	G3320060	Cylinder Block & Piston Assly	1	2S	A		G2110240	Piston	2	A	A
	G2010440	Cylinder Block	1	2S	A		G2110250	Wheel Cylinder Seal	2	A	A
	G2010110	Piston Dia Gr C (Std)	1	2S	A		G2110260	Spring	1	A	A
	G2010140	Ring Piston	2	2S	A		G2110270	Spring Holder	2	A	A
	G2010210	Circlip, Piston	2	2S	A		G2110280	Breather Screw	1	A	A
	G2010200	Piston, Pin	1	2S	A	8	G2112200	Minor Kit - Wheel Cylinder Kit	1	A	A
	G2010170	Expander, Ring	1	2S	A		G2110250	Wheel Cylinder Seal	2	A	A
	G2200430	Needle Cage Piston Pin(Blue)	1	2S	A		G2110260	Spring	1	A	A
4	G5320470	Pivot Pin Front Kit	1	A	A		G2110270	Spring Holder	2	A	A
	G2100170	Pivot Pin Front	1	A	A	9	G5160930	Starter Relay Assy	1	A	A
	G2200570	Needle Bearing 20X26X12	2	A	A		G3160730	Cord Set, Starter Motor	1	A	A
	G2200660	Internal Circlip	2	A	A		G5160760	Cord Set, Starter Relay	1	A	A
	G5100030	Dust Seal	2	A	A		R2160100	Starter Relay Sub Assy	2	A	A
	G5100010	O Ring 31.6X3	2	A	A		R3160090	Boot Starter Relay	2	A	A

\*\* A - Common 2 & 4 Stroke models , 2S - Only 2 Stroke, 4S Only 4 Stroke

\* (A - All Variants) (P - Petrol ES) (L - LPG) (C - CNG) (LSM -LPG Single Mode)

## SPARE PARTS KIT DETAILS

REF NO.	PART NO.	DESCRIPTION	Q/VH	MODEL**	VARIANT*	REF NO.	PART NO.	DESCRIPTION	Q/VH	MODEL	VARIANT*
10	G5320010	Major Kit (TMC)	1	A	A		G2080040	Slider Block, Propeller Shaft Assy	2	A	A
	G5320030	Plunger Assembly , Primary	1	A	A	13	G4300050	Floor Mat Kit - Petrol	1	A	P
	G5320040	Cup, Spacer ( Shim Seal )	1	A	A		G5300170	Mat LH Driver Cabin	1	A	P
	G5320050	Retainer (Spring, Seat)	1	A	A		G5300180	Mat RH Driver Cabin	1	A	P
	G5320060	" O " Ring (Gasket)	1	A	A		G5300190	Mat Passenger Cabin	1	A	P
	G5320070	Circlip ( Piston Stopper )	1	A	A	14	G4300060	Floor Mat Kit - LPG / CNG	1	A	L/C/LSM
	G5320080	Dust Cover ( Boot , M/Cyl )	1	A	A		G5300200	Mat LH Driver Cabin	1	A	L/C/LSM
	G5320090	" O " Ring	2	A	A		G5300210	Mat RH Driver Cabin	1	A	L/C/LSM
	G5320100	Seal Gland (Cup, Piston Pressure)	2	A	A		G5300190	Mat Passenger Cabin	1	A	L/C/LSM
	G5320110	Seal Rec Dia. 19.05 ( Cup Piston )	1	A	A	15	G4320320	Cyl Block & Piston Kit 4S	1	4S	A
	G5320120	Washer	4	A	A		G4010170	Cylinder Comp Np.049 4S	1	4S	A
11	G5320020	Minor Kit (TMC)	1	A	A		G4020080	Piston 62.00	1	4S	A
	G5320040	Cup, Spacer ( Shim Seal )	1	A	A		M7020340	Ring Piston Top	1	4S	A
	G5320050	Retainer (Spring, Seat)	1	A	A		G4020100	Piston Ring 2Nd 62.00	1	4S	A
	G5320130	Retainer ( Seal ) (Spring Seat)	1	A	A		M7020360	3 Piece Oil Ring	1	4S	A
	G5320060	" O " Ring (Gasket)	1	A	A		G4020090	Piston Pin 15 45.0	1	4S	A
	G5320070	Circlip ( Piston Stopper )	1	A	A		M1010440	Circlip 17X1.0 Piston Pin	2	4S	A
	G5320080	Dust Cover ( Boot , M/Cyl )	1	A	A	16	G4320330	Piston Kit 4S Std	1	4S	A
	G5320090	" O " Ring	2	A	A		G4020080	Piston 62.00	1	4S	A
	G5320110	Seal Rec Dia. 19.05 ( Cup Piston )	1	A	A		M7020340	Ring Piston Top	1	4S	A
	G5320100	Seal Gland (Cup, Piston Pressure)	2	A	A		G4020100	Piston Ring 2Nd 62.00	1	4S	A
	G5320140	Seal Gland (Cup, Piston Pressure)	1	A	A		M7020360	3 Piece Oil Ring	1	4S	A
12	G2320570	Slider Block Kit	1	A	A		G4020090	Piston Pin 15 45.0	1	4S	A
	G2080030	Pin, Propeller Shaft	1	A	A		M1010440	Circlip 17X1.0 Piston Pin	2	4S	A

\*\* A - Common 2 & 4 Stroke models , 2S - Only 2 Stroke, 4S Only 4 Stroke

\* (A - All Variants) (P - Petrol ES) (L - LPG) (C - CNG) (LSM -LPG Single Mode)

## SPARE PARTS KIT DETAILS

REF NO.	PART NO.	DESCRIPTION	Q/VH	MODEL**	VARIANT*	REF NO.	PART NO.	DESCRIPTION	Q/VH	MODEL	VARIANT*
17	G4320350	Kit Cyl Head	1	4S	A		M7321830	Ring Piston Top li O/S	1	4S	A
	G4010180	Cylinder Head Comp	1	4S	A		G4320200	Ring Piston 2Nd li O/S	1	4S	A
	M7010830	Cover Cylinder Head - Tvs Apache	1	4S	A		M7321870	3 Piece Oil Ring li O/S	1	4S	A
18	G3320080	Piston Kit Oversize - I 2S	1	2S	A	23	G4320670	Piston Kit -4S O/S -I	1	4S	A
	G2010200	Piston Pin	1	2S	A		G4320230	Piston Dia 62 I O/S	1	4S	A
	G2010210	Circlip Piston	2	2S	A		M7321820	Ring Piston Top I O/S	1	4S	A
	G2320010	Piston-61 Dia Code-P	1	2S	A		G4320190	Ring Piston 2Nd I O/S	1	4S	A
	G2320030	Ring Piston 1 Oversize	2	2S	A		M7321860	3 Piece Oil Ring I O/S	1	4S	A
	G2320050	Expander, Ring 1 Oversize	1	2S	A		G4020090	Piston Pin	1	4S	A
19	G3320090	Piston Kit Oversize - li 2S	1	2S	A		M1010440	Circlip	2	4S	A
	G2010200	Piston Pin	1	2S	A	24	G4320680	Piston Kit- 4S O/S -li	1	4S	A
	G2010210	Circlip Piston	2	2S	A		G4320240	Piston Dia 62 li O/S	1	4S	A
	G2320020	Piston-61 Dia Code-W	1	2S	A		M7321830	Ring Piston Top li O/S	1	4S	A
	G2320040	Ring Piston 2 Oversize	2	2S	A		G4320200	Ring Piston 2Nd li O/S	1	4S	A
	G2320060	Expander, Ring 2 Oversize - N.I.	1	2S	A		M7321870	3 Piece Oil Ring li O/S	1	4S	A
20	G4320640	Piston Ring Set -4S	1	4S	A		G4020090	Piston Pin	1	4S	A
	M7020340	Piston Ring Top	1	4S	A		M1010440	Circlip	2	4S	A
	G4020100	Piston Ring 2Nd	1	4S	A	25	G4320690	Set Plate Clutch -4S	1	4S	A
	M7020360	3 Piece Oil Ring	1	4S	A		G4070270	Clutch Plate A	3	4S	A
21	G4320650	Piston Ring Set -4S O/S I	1	4S	A		G4070280	Clutch Plate C	1	4S	A
	M7321820	Ring Piston Top I O/S	1	4S	A		G4070290	Clutch Plate B	1	4S	A
	G4320190	Ring Piston 2Nd I O/S	1	4S	A	26	G4320740	Kit Oil Filter O Ring-4S	1	4S	A
	M7321860	3 Piece Oil Ring I O/S	1	4S	A		M1080600	O Ring 52.6x2.4 [M1010390]	1	4S	A
22	G4320660	Piston Ring Set -4S O/S li	1	4S	A		G4200010	O Ring Cover Oil Strainer	1	4S	A

\*\* A - Common 2 & 4 Stroke models , 2S - Only 2 Stroke, 4S Only 4 Stroke

\* (A - All Variants) (P - Petrol ES) (L - LPG) (C - CNG) (LSM -LPG Single Mode)

## SPARE PARTS KIT DETAILS

REF NO.	PART NO.	DESCRIPTION	Q/VH	MODEL**	VARIANT*	REF NO.	PART NO.	DESCRIPTION	Q/VH	MODEL	VARIANT*
27	G5321070	Set Plate Clutch -2S	1	2S	A		M1010360	Gasket Cylinder Head Nut	4	4S	A
	G1070030	Plate Clutch Drive(6)	6	2S	A		N9053170	Gasket Exhaust Cylinder Block	1	4S	A
	G1070180	Plate Clutch Driven(5)	5	2S	A	31	G5321090	Kit Major Gasket Engine-2S	1	2S	A
	G3070310	Plate Clutch Drive	1	2S	A		G3030140	Gasket Crank Case	1	2S	A
28	G4321270	Kit Engine Oil Seal-4S	1	4S	A		G3030160	Gasket Cover Crank Case R	1	2S	A
	N2081720	Oil Seal Gear Shift Shaft	1	4S	A		G5010020	Gasket Cylinder Head 0.8 Mm Thick	1	2S	A
	G2200340	Oil Seal Drive Shaft	1	4S	A		03259010	Gasket Exhaust Port	1	2S	A
	G2200350	Oil Seal Kick Starter Shaft	1	4S	A		G2010450	Gasket	1	2S	A
	G2200320	Oil Seal Crankshaft L	1	4S	A	32	G4320720	Kit Minor Gasket Engine-4S	1	4S	A
	G2200330	Oil Seal Crankshaft R	1	4S	A		M7010210	Gasket Cylinder Head	1	4S	A
29	G5321240	Kit Engine Oil Seal-2S	1	2S	A		G4010070	Gasket Cylinder	1	4S	A
	G2200330	Oil Seal Crankshaft R	1	2S	A		M1010510	Gasket Tensioner Adjuster	1	4S	A
	G2200320	Oil Seal Crankshaft L	1	2S	A		M1010360	Gasket Cylinder Head Nut	4	4S	A
	M7200490	Oil Seal	1	2S	A		N9053170	Gasket Exhaust Cylinder Block	1	4S	A
	N2081720	Oil Seal Gear Shift Shaft	1	2S	A	33	G5321100	Kit Minor Gasket Engine-2S	1	2S	A
	G2200360	Oil Seal 33×50×6.6	1	2S	A		G5010020	Gasket Cylinder Head 0.8 Mm Thick	1	2S	A
	G2200340	Oil Seal Drive Shaft	1	2S	A		03259010	Gasket Exhaust Port	1	2S	A
	G2200350	Oil Seal 19×31×7	1	2S	A		G2010450	Gasket	1	2S	A
30	G4320710	Kit Major Gasket Engine-4S	1	4S	A	34	G4320730	O - Ring Kit Engine-4S	1	4S	A
	G4030080	Gasket Cover Crank Case R	1	4S	A		M1010390	O Ring 29.5×3	2	4S	A
	G4030070	Gasket Crank Case	1	4S	A		R1040430	O Ring Pipe Intake	1	4S	A
	M7010210	Gasket Cylinder Head	1	4S	A		G2200550	O Ring 25×2.85	1	4S	A
	G4010070	Gasket Cylinder	1	4S	A	35	G4210190	Tool Kit Set - 4S	1	2S	A
	M1010510	Gasket Tensioner Adjuster	1	4S	A	36	G5300030	Tool Kit Set- 2S Es	1	4S	A

\*\* A - Common 2 & 4 Stroke models , 2S - Only 2 Stroke, 4S Only 4 Stroke

\* (A - All Variants) (P - Petrol ES) (L - LPG) (C - CNG) (LSM -LPG Single Mode)

## SPARE PARTS KIT DETAILS

REF NO.	PART NO.	DESCRIPTION	Q/VH	MODEL**	VARIANT*	REF NO.	PART NO.	DESCRIPTION	Q/VH	MODEL	VARIANT*
37	G4320750	Kit Crankshaft Bearing-4S	1	4S	A		G2320060	Expander, Ring 2 Oversize - N.I.	1	2S	A
	S1200160	Ball Bearing 35×72×17 C3 6207	1	4S	A	44	G5321110	Minor Kit Carburettor-2S	1	2S	A
	G2201130	Ball Bearing 6206	1	4S	A		N2320570	O Ring Flange	1	2S	A
	N2200400	Ball Bearing 12×28×8	1	4S	A		R1321580	Pilot Jet	1	2S	A
38	G4320770	Kit Timing Chain Repair-4S	1	4S	A		G2320740	Seal	1	2S	A
	M1010210	Sprocket Camshaft	1	4S	A	45	G5321120	Major Kit Carburettor-2S	1	2S	A
	G4010060	Guide Cam chain	1	4S	A		K3320490	O Ring	1	2S	A
	G4010050	Tensioner Cam chain	1	4S	A		N2320460	O Ring	1	2S	A
	G4010140	Cam Chain	1	4S	A		G2320710	Pilot Jet	1	2S	A
39	G4320780	Engine Valve Kit-4S	1	4S	A		03087110	Gasket Float Body	1	2S	A
	M7010270	Valve Intake	1	4S	A	46	G4320790	Kit Gear Shifting-2S	1	4S	A
	M7010280	Valve Exhaust	1	4S	A		G3080070	Index Star	1	4S	A
	M1010620	Valve Stem Oil Seal	2	4S	A		G2082380	Pin, Index Star	2	4S	A
40	G4320760	Kit Buffer Rubber	1	A	A		G2082110	Stopper Comp, Gear Shift	1	4S	A
	G5080320	Buffer Rubber, Propeller Shaft Wheel Side	2	A	A		G3200240	Disc, Spring	1	4S	A
	G2080050	Buffer Rubber, Propeller Shaft Engine End	2	A	A		G2082140	Spring, Gear Shift Cam Stopper	1	4S	A
41	G5321040	Piston Ring Set-2S	1	2S	A		M1080830	Bolt, Gear Shift Cam Stopper	1	4S	A
	G2010140	Ring Piston	2	2S	A	47	G5321130	Kit Parking Brake	1	A	A
	G2010170	Expander Ring	1	2S	A		G2110770	Ratchet Parking Brake	2	A	A
42	G5321050	Piston Ring Set-2S O/S-I	1	2S	A		0330048	Split Pin	2	A	A
	G2320030	Ring Piston 1 Oversize	2	2S	A		G2110940	Pin	1	A	A
	G2320050	Expander, Ring 1 Oversize	1	2S	A		G5170070	Parking Brake Cable Assembly	1	A	A
43	G5321060	Piston Ring Set-2S O/S-li	1	2S	A	48	G2180890	Engine Assy 2S Petrol Es	1	2S	P
	G2320040	Ring Piston 2 Oversize	2	2S	A	49	G2180850	Engine Assy 2S Lpg	1	2S	L

\*\* A - Common 2 & 4 Stroke models , 2S - Only 2 Stroke, 4S Only 4 Stroke

\* (A - All Variants) (P - Petrol ES) (L - LPG) (C - CNG) (LSM -LPG Single Mode)

## SPARE PARTS KIT DETAILS

REF NO.	PART NO.	DESCRIPTION	Q/VH	MODEL**	VARIANT*	REF NO.	PART NO.	DESCRIPTION	Q/VH	MODEL	VARIANT*
50	G2180870	Engine Assy 2S CNG	1	2S	C		G3180130	Insert Cowl Bottom	4	4S	A
51	G4180020	Engine Assy 4S Petrol	1	4S	P		M1200010	Hex Flange Bolt M6X55	4	4S	A
52	G4180840	Engine Assy 4S CNG	1	4S	C		M1010350	Gasket Cyl Head Cover Bolt	4	4S	A
53	G4180620	Engine Assy 4S LPG	1	4S	L		M1200600	Hex Flange Bolt M6X45	2	4S	A
54	G4180890	Engine Assy 4S Lpg Single Mode	1	4S	LSM		M1200590	Hex Flange Bolt M6X35	4	4S	A
55	G4110070	Brake Shoe Set	1	A	A	61	G4320850	Kit Exhaust Gasket -4S	1	4S	A
	G2110320	Brake Shoe Comp	2	A	A		G4050380	Gasket Muffler	1	4S	A
	G2110330	Spring, Brake Shoe Return	1	A	A		N9053170	Gasket Exhaust Cylinder Block	1	4S	A
	G2111860	Spring, Brake Shoe Return Top	1	A	A	62	G4320860	Pipe Intake Kit-4S	1	4S	A
56	G4320800	Kit Front Fork Seal	1	A	A		R1040430	O Ring Pipe Intake	1	4S	A
	G5100030	Dust Seal, Front Trailing Arm	2	A	A		G4040460	Gasket Pipe Intake	1	4S	A
	G5200550	Dust Seal, Ball Bearing Side	2	A	A	63	G4320870	Carburettor Kit-4S	1	4S	A
	G5200560	Dust Seal, Needle Bearing Side	2	A	A		K3320320	Needle Valve Assy	1	4S	A
57	G4320810	Kit Front Fork Bearing	1	A	A		G2320780	Float Assy	1	4S	A
	G2200680	Needle Bearing 35X43X24	1	A	A	64	G4320880	Kit Diaphragm Lpg	1	A	L
	G2200570	Needle Bearing 20X26X18	2	A	A		G5140820	Tc M4X6 Screw	6	A	L
	G2200440	Ball Bearing 20X42X12	1	A	A		G5140860	Vacuum Stage Spring	1	A	L
58	G4320820	Kit Rear Wheel Bearing	1	A	A		G5140870	Idle Register Spring Minrid	1	A	L
	G2200680	Needle Bearing 35X43X24	2	A	A		G5140920	2Nd Stage Diaphragm Minrid	1	A	L
	G2200440	Ball Bearing 20X42X12	2	A	A		G5140940	Vacuum Diaphragm Minrid	1	A	L
59	G4320830	Kit Oil Strainer	1	4S	A	65	G4320890	Kit Fare Meter Worm	1	A	A
	G4200010	O Ring Cover Oil Strainer	1	4S	A		G2081659	Worm Fare meter	1	A	A
	G2082390	Oil Strainer	1	4S	A		G2080740	Shaft Comp Fare meter Drive	1	A	A
60	G4320840	Kit Cylinder Head Bolt-4S	1	4S	A	66	G4300020	Kit, Seatbelt	1	A	A

\*\* A - Common 2 & 4 Stroke models , 2S - Only 2 Stroke, 4S Only 4 Stroke

\* (A - All Variants) (P - Petrol ES) (L - LPG) (C - CNG) (LSM -LPG Single Mode)



## SPARE PARTS KIT DETAILS

REF NO.	PART NO.	DESCRIPTION	Q/VH	MODEL**	VARIANT*	REF NO.	PART NO.	DESCRIPTION	Q/VH	MODEL	VARIANT*
67	G52225001F	Canvas Kit Soft Top Cielo White	1	A	A	69	G52225005R	Canvas Soft Top - Yellow	1	A	A
	G51220501F	Canvas Soft Top Cielo White	1	A	A		G51220505R	Canvas Soft Top Gold / G Yellow	1	A	A
	G51220691F	Retaining Strap Soft Top Cielo White	2	A	A		G51220695R	Retaining Strap Soft Top Gold / G Yellow	2	A	A
	G51220701F	Hand Hold Soft Top Cielo White	3	A	A		G51220705R	Hand Hold Soft Top Gold / G Yellow	3	A	A
	G5122080	Wood Stick Middle Soft Top	1	A	A		G5122080	Wood Stick Middle Soft Top	1	A	A
	G5122510	Packing Soft Top Canvas	1	A	A		G5122510	Packing Soft Top Canvas	1	A	A
	G5122090	Nail Soft Top	25	A	A		G5122090	Nail Soft Top	25	A	A
	G5200190	Slotted Pan Head Tapping Screw- St 4.8 X	15	A	A		G5200190	Slotted Pan Head Tapping Screw- St 4.8 X	15	A	A
	G5222490	Show Button	10	A	A		G5222490	Show Button	10	A	A
	G5200200	Cup Washer St 3.5	15	A	A		G5200200	Cup Washer St 3.5	15	A	A
	G5200150	Csk Head Tapping Scr St 3.5X16	15	A	A		G5200150	Csk Head Tapping Scr St 3.5X16	15	A	A
	N5200480	Punched Washer 6.5X20X1.6 Black	15	A	A		N5200480	Punched Washer 6.5X20X1.6 Black	15	A	A
68	G52225008L	Canvas Kit Soft Top Eco Green	1	A	A	70	G52225007H	Canvas Soft Top -Brown	1	A	A
	G51220508L	Canvas Soft Top Eco Green	1	A	A		G51220507H	Canvas Soft Top Br Beige	1	A	A
	G51220698L	Retaining Strap Soft Top Eco Green	2	A	A		G51220697H	Retaining Strap Soft Top Br Beige	2	A	A
	G51220708L	Hand Hold Soft Top Eco Green	3	A	A		G51220707H	Hand Hold Soft Top Br Beige	3	A	A
	G5122080	Wood Stick Middle Soft Top	1	A	A		G5122080	Wood Stick Middle Soft Top	1	A	A
	G5122510	Packing Soft Top Canvas	1	A	A		G5122510	Packing Soft Top Canvas	1	A	A
	G5122090	Nail Soft Top	25	A	A		G5122090	Nail Soft Top	25	A	A
	G5200190	Slotted Pan Head Tapping Screw- St 4.8 X	15	A	A		G5200190	Slotted Pan Head Tapping Screw- St 4.8 X	15	A	A
	G5222490	Show Button	10	A	A		G5222490	Show Button	10	A	A
	G5200200	Cup Washer St 3.5	15	A	A		G5200200	Cup Washer St 3.5	15	A	A
	G5200150	Csk Head Tapping Scr St 3.5X16	15	A	A		G5200150	Csk Head Tapping Scr St 3.5X16	15	A	A
	N5200480	Punched Washer 6.5X20X1.6 Black	15	A	A		N5200480	Punched Washer 6.5X20X1.6 Black	15	A	A

\*\* A - Common 2 & 4 Stroke models , 2S - Only 2 Stroke, 4S Only 4 Stroke

\* (A - All Variants) (P - Petrol ES) (L - LPG) (C - CNG) (LSM -LPG Single Mode)

## SPARE PARTS KIT DETAILS

REF NO.	PART NO.	DESCRIPTION	Q/VH	MODEL**	VARIANT*	REF NO.	PART NO.	DESCRIPTION	Q/VH	MODEL	** VARIANT*
71	G5222220	Lock Set 3W	1	A	A		G5320930	Single Nozzle Flow Control Body	1	A	C
	G5320370	Lock Assy Ignition	1	A	A		G5321140	O Ring	1	A	C
	G5320380	Lock Assy Fuel Tank Lid	1	A	A		G5321150	O Ring	1	A	C
	G5320390	Lock Assy Tail Door New	1	A	A		G5320990	Flow Adjusting Screw	1	A	C
	G5320400	Lock Assy Handle Bar New	1	A	A		G5320960	Lock Nut	1	A	C
	G5320410	Lock Assy Lid Dashboard	1	A	A		G5320900	Cap	1	A	C
72	G4321290	Kit Connecting Rod 4 -For 4 Stroke Only	1	4S	A		G5321170	O Ring	1	A	C
	G1020049	Con Rod Mc Np.049 4 Stroke 3 Wheeler	1	4S	A	76	G5320920	Kit, Idle Valve Assy	1	2S	C
	G1020050	Crank Pin	1	4S	A		G5321160	O Ring	1	A	C
	G1200210	Needle Cage Crank pin 30X38X18	1	4S	A		G5321000	Spring	1	A	C
73	G4300010	Kit, Headrest	1	A	A		G5320940	Lock Nut	1	A	C
	G4300110	Headrest Driver	1	A	A		G5320980	Spring Retainer	1	A	C
	G4300090	Backrest Driver	1	A	A		G5320950	Kit, Filter Assy	1	A	C
	G4300120	Headrest Passenger	2	A	A		G5321180	Retainer First Reducer	1	A	C
	G4300100	Backrest Passenger	1	A	A		G5320970	Filter	1	A	C
	G4300130	Clamp Headrest	8	A	A	77	G5321230	Kit 8 Litre Fuel Tank	1	A	A
	P1200060	Hex Nut M6	20	A	A		G5141760	Fuel Tank Assy 8 Lit	1	A	A
	P1200050	Wave Spring Washer M6 Zng	20	A	A		R1200180	Hex Fl Bolt M6X60	1	A	A
74	G4300040	Kit, Guard Step Thru	1	A	A		G5140620	Bush, Fuel Tank	1	A	A
	G4300030	Guard Step Thru	1	A	A		G5140460	Bracket, Fuel Tank	2	A	A
	N9121700	Cushion Rc Lamp	5	A	A		G4160290	Fuel Warning Switch 8 Lits	1	A	A
	K200320	Crr Pan Hd Tap Scr St4.2X16	6	A	A	78	G4321280	Kit Exhaust Gasket 4 -For 4 Stroke Only	1	4S	A
	P1200140	Punched Washer A5.5	6	A	A		G4050380	Gasket Muffler 4S All	1	4S	A
75	G5320910	Kit, Power Valve Assy	1	2S	C		N9053170	Gasket Muffler Exhst Port	1	4S	A

\*\* A - Common 2 & 4 Stroke models , 2S - Only 2 Stroke, 4S Only 4 Stroke

12

\* (A - All Variants) (P - Petrol ES) (L - LPG) (C - CNG) (LSM -LPG Single Mode)

## SPARE PARTS KIT DETAILS

REF NO.	PART NO.	DESCRIPTION	Q/VH	MODEL**	VARIANT*	REF NO.	PART NO.	DESCRIPTION	Q/VH	MODEL	VARIANT*
79	G5321250	Kit Major Gasket Engine -For 2 Stroke Only	1	2S	A		M7010210	Gasket Cylinder Head	1	4S	A
	G2200330	Oil Seal Crankshaft R	1	2S	A		G4010070	Gasket Cylinder Block	1	4S	A
	G2200320	Oil Seal Crankshaft L	1	2S	A		M1010510	Gasket Tensioner Adjuster	1	4S	A
	M7200490	Oil Seal	1	2S	A		M1010360	Gasket Cylinder Head Nut	4	4S	A
	N2081720	Oil Seal Gear Shift Shaft	1	2S	A		N9053170	Gasket Exhaust Cylinder Block	1	4S	A
	G2200360	Oil Seal 33×50×6.6	1	2S	A		N4011100	Valve Stem Oil Seal	2	4S	A
	G2200340	Oil Seal Drive Shaft	1	2S	A		P200150	Circlip Reverse Lock Arm	1	4S	A
	G2200350	Oil Seal 19×31×7	1	2S	A	81	G5321260	Muffler Assy Gasket Kit 2S	1	2S	A
	G3030140	Gasket Crank Case	1	2S	A		3259010	Gasket Exhaust Port	1	2S	A
	G3030160	Gasket Cover Crank Case R	1	2S	A		G2051260	Gasket Exhaust	1	2S	A
	G5010020	Gasket Cylinder Head 0.8 Mm Thick	1	2S	A	82	G5321210	Clutch Cable Inner Kit	1	A	A
	3259010	Gasket Exhaust Port	1	2S	A		G5320150	Cable Inner Clutch	1	A	A
	G2010450	Gasket Cyl. Block	1	2S	A		G5320680	Brkt Clutch Cable Inner	1	A	A
	P200150	Circlip Reverse Lock Arm	1	2S	A		G5320160	Pinch Bolt - Hole 3Mm	1	A	A
	G4200100	Oil seal 18 12 4 (Clutch Rod )	1	2S	A	83	G5321200	Gear Cable Inner Kit	1	A	A
80	G4321260	Kit Major Gasket Engine -For 4 Stroke Only	1	4S	A		G5320170	Cable Inner Gear Shift	1	A	A
	N2081720	Oil Seal Gear Shift Shaft	1	4S	A		G5320160	Pinch Bolt - Hole 3Mm	1	A	A
	G2200340	Oil Seal Drive Shaft	1	4S	A	84	G2100190	Front Trailing Arm Kit	1	A	A
	G2200350	Oil Seal Kick Starter Shaft	1	4S	A		G2100210	Trailing Arm Front	1	A	A
	G2200320	Oil Seal Crankshaft L	1	4S	A		G2200680	Needle Bearing 35X43X24	1	A	A
	G2200330	Oil Seal Crankshaft R	1	4S	A		G2200440	Ball Bearing 20X42X12	1	A	A
	G4200100	Oil seal 18 12 4 (Clutch Rod )	1	4S	A		G2200570	Needle Bearing 20X26X12	2	A	A
	G4030080	Gasket Cover Crank Case R	1	4S	A		K200060	Internal Circlip 42X1.75	1	A	A
	G4030070	Gasket Crank Case	1	4S	A		G2100200	Silent Block	1	A	A

\*\* A - Common 2 & 4 Stroke models , 2S - Only 2 Stroke, 4S Only 4 Stroke

\* (A - All Variants) (P - Petrol ES) (L - LPG) (C - CNG) (LSM -LPG Single Mode)

## SPARE PARTS KIT DETAILS

REF NO.	PART NO.	DESCRIPTION	Q/VH	MODEL**	VARIANT*	REF NO.	PART NO.	DESCRIPTION	Q/VH	MODEL**	VARIANT*
85	G5321220	Connecting Rod Kit 2S	1	2S	A						
	G2020069	Connecting Rod 3 Wheeler	1	2S	A						
	G2020099	Thrust Washer 3 Wheeler	2	2S	A						
	G2020089	Crank Pin 3 Wheeler	1	2S	A						
	G2200390	Needle Cage Crank Pin 25X32X16	1	2S	A						
86	G5321260	Kit Exhaust Gasket 2 -For 2 Stroke Only	1	2S	A						
	3259010	Gasket Exhaust Port	1	2S	A						
	G2051260	Gasket Exhaust	1	2S	A						
	N2041490	Gasket Air Injection 2S All	1	2S	A						

\*\* A - Common 2 & 4 Stroke models , 2S - Only 2 Stroke, 4S Only 4 Stroke

\* (A - All Variants) (P - Petrol ES) (L - LPG) (C - CNG) (LSM -LPG Single Mode)

## VEHICLE STICKERS & SPECIAL TOOLS

VEHICLE STICKERS					PART NO.	DESCRIPTION	Q/VH	MODEL**	VARIANT*
PART NO.	DESCRIPTION	Q/VH	MODEL**	VARIANT*					
					G3310370	Pin	1	A	A
G5210320	2T Oil warning Sticker (1200 Warning	1	2S	A	G3310410	Puller Assy Magneto	1	A	A
G5210340	Air Filter Service	1	A	A	G3310420	Extractor Piston Pin	1	A	A
G4210160	Arjun	1	4S	LSM	G3310430	Tightening Tool Clutch Nut	1	A	A
G4210170	TVS KING Arjun	1	4S	LSM	G3310480	Puller Assy Needle Bearing	1	A	A
G5210310	Operation Sticker -2S	1	2S	A	G3310500	Assy Tool Crankshaft	1	A	A
G5210190	Sticker Identification CNG	2	A	C	G3310510	Assy Tool Bearing	1	A	A
G5210350	Sticker Electric Start	1	A	A	G3310530	At Needle Bearing	1	A	A
G5210330	Sticker Tyre Rotation	1	A	A	G3310540	Assy Tool Oil Seals	1	A	A
G5120180	Sticker, Identification LPG	2	A	L	G3310550	At Head Tube Races	1	A	A
G5210300	Sticker, Instruction - LPG / CNG	1	A		G3310560	At Silent Block Pivot Tube	1	A	A
G4210060	Operating Instruction 4S	1	4S	A	G3310570	At Lock Nut Steering Column	1	A	A
G4210090	TVS KING ZS	1	4S	C	G3310580	At Silent Block Trailing Arm	1	A	A
G4210080	TVS KING LS	1	4S	L	G3310590	Assy Tool Cone Bottom	1	A	A
G4210070	TVS KING GS	1	4S	P	G3310600	Assy Tool Oil Seals	1	A	A
G5210240	TVS KING GX Sticker	1	2S	P	G3310640	Spanner Lock Nut Steering	1	A	A
G5210230	TVS KING LX Sticker	1	2S	L	G3310650	Extractor Pivot Pin Steering	1	A	A
G5210250	TVS KING ZX Sticker	1	2S	C	G3310670	Fixture Engine Assembly	1	A	A
G5210220	TVS KING Sticker	1	A	A	G3310680	Holder Assy Magneto	1	A	A
<b>SPECIAL TOOLS</b>					G3310690	Ht Tool Dog Driver & Muff Cup	1	A	A
PART NO.	DESCRIPTION	Q/VH	MODEL**	VARIANT*					
					G3310710	Primary Driven Gear	1	A	A
G3310290	Holding Tool Tighten Drive Gear	1	A	A	G3310720	Assy Tool Oil Seals	1	A	A
G3310300	Puller Bearing	1	A	A	G3310740	Differtial Fixture	1	A	A
G3310310	Puller Bearing	1	A	A	S1310020	Extractor Assy Inlet & Exhaust Valve	1	4S	A
G3310320	Puller Bearing	1	A	A	G4310010	Tappet Adjuster	1	4S	A

\*\* A - Common 2 & 4 Stroke models , 2S - Only 2 Stroke, 4S Only 4 Stroke

\* (A - All Variants) (P - Petrol ES) (L - LPG) (C - CNG) (LSM -LPG Single Mode)

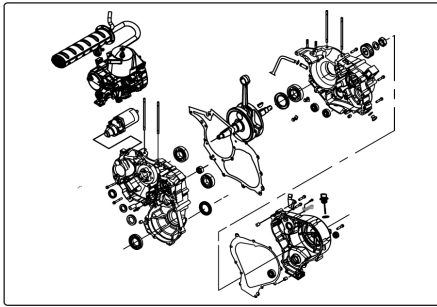
## STANDARD ACCESSORIES DETAILS

REF NO.	PART NO.	DESCRIPTION	Q/VH	MODEL**	VARIANT*	REF NO.	PART NO.	DESCRIPTION	Q/VH	MODEL**	VARIANT*
1	G5300080	FM Radio Assy	1	A	A	4	G4300050	Floor Mat Kit - Petrol	1	A	P
	K200320	Crr Pan Hd Tap Scr St4.2X16 Znk	3	A	A		G5300170	Mat LH Driver Cabin	1	A	P
	0331708	Crph Scr M5X12 6.8 Znb	4	A	A		G5300180	Mat RH Driver Cabin	1	A	P
	0335558	Punched Washer 5.5X12.0X1.0 Znb	7	A	A		G5300190	Mat Passanger Cabin	1	A	P
2	G5300110	Idol Stand	1	A	A	5	G4300060	Floor Mat Kit - LPG / CNG	1	A	L/C/LSM
	G5300120	LH Cover Cowl Flange Idol Stand	1	A	A		G5300200	Mat LH Driver Cabin	1	A	L/C/LSM
	G5300130	RH Cover Cowl Flange Idol Stand	1	A	A		G5300210	Mat RH Driver Cabin	1	A	L/C/LSM
	G5300140	Bracket LH	2	A	A		G5300190	Mat Passanger Cabin	1	A	L/C/LSM
	G5300150	Bracket RH	2	A	A	6	G53002805R	Bumper Assy Rear (Yellow)	1	A	A
	0332408	Crr Head Screw	4	A	A		G53002803D	Bumper Assy Rear (Black)	1	A	A
	0335578	Punched Washer	4	A	A		G53002808L	Bumper Assy Rear Eco Green	1	A	A
3	G5300100	Tube Comp RH Entry Barrier	1	A	A		G53002805G	Bumper Assy Rear Nf Wine Red	1	A	A
	420462700	Hex Screw M6X20	2	A	A	7	G5300350	Scissor Jack	1	A	A
	420452700	Hex Screw M6X12	2	A	A	8	G5110150	Wheel Cap Set Comp	3	A	A
	0335558	Punched Washer	4	A	A	9	G5160460	Engine Compartment Lamp	1	A	A
	0330408	Wave Spring Washer	2	A	A						

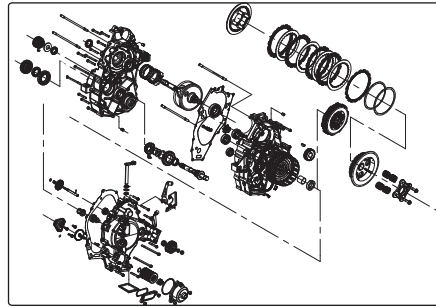
\*\* A - Common 2 & 4 Stroke models , 2S - Only 2 Stroke, 4S Only 4 Stroke

\* (A - All Variants) (P - Petrol ES) (L - LPG) (C - CNG) (LSM -LPG Single Mode)

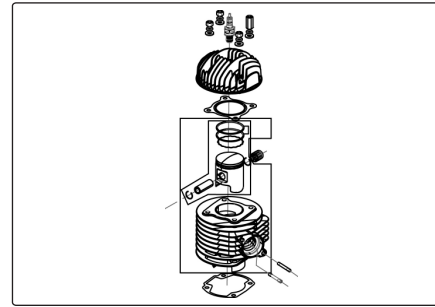
# CHAPTER INDEX



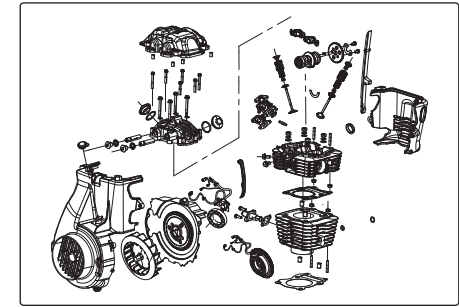
**CRANK CASE & CRANK SHAFT ASSEMBLY - 2S**  
Fig No 01, Page No20



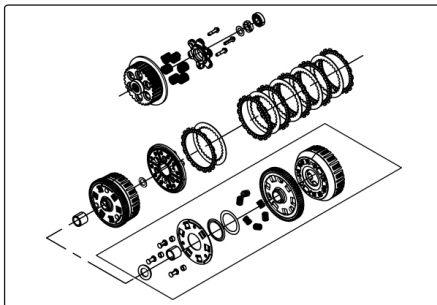
**CRANK CASE & CRANK SHAFT ASSEMBLY - 4S**  
Fig. No 02, Page No 24



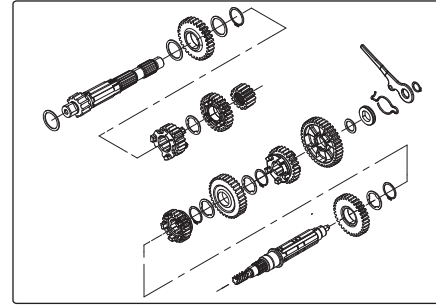
**CYLINDER BLOCK & PISTON ASSEMBLY - 2S**  
Fig. No 03, Page No 30



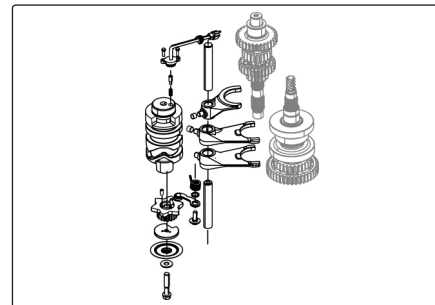
**CYLINDER BLOCK ASSEMBLY - 4S**  
Fig. No 04, Page No 32



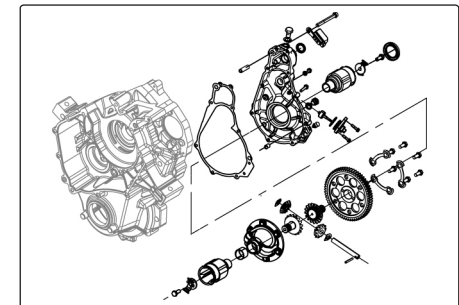
**CLUTCH ASSEMBLY - 2S**  
Fig. No 05, Page No 36



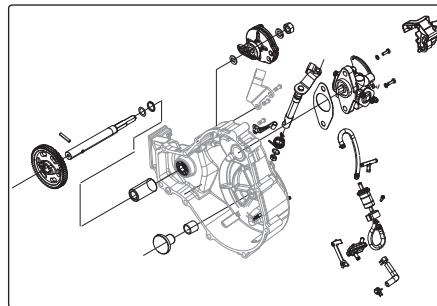
**GEAR BOX ASSEMBLY**  
Fig. No 06, Page No 38



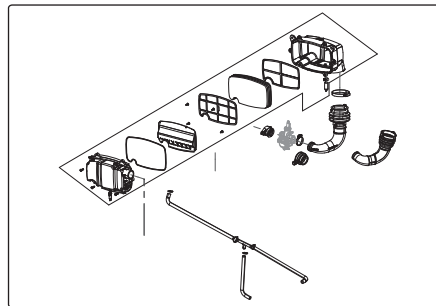
**GEAR SHIFTER MECHANISM**  
Fig. No 07, Page No 40



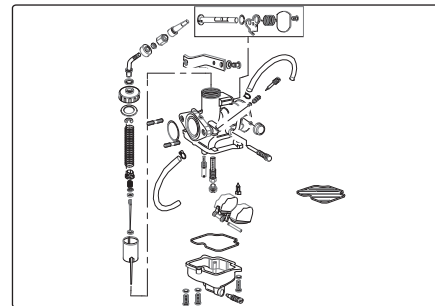
**DIFFERENTIAL ASSEMBLY**  
Fig. No 08, Page No 42



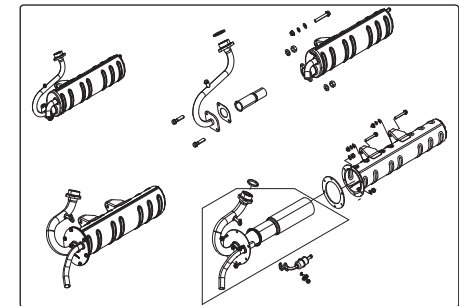
**OIL PUMP & SECONDARY  
AIR INJECTION ASSEMBLY - 2S**  
Fig. No 09, Page No 44



**INDUCTION SYSTEM**  
Fig. No 10, Page No 46

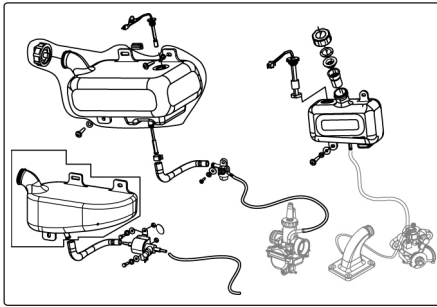


**CARBURETOR ASSEMBLY**  
Fig. No 11, Page No 50

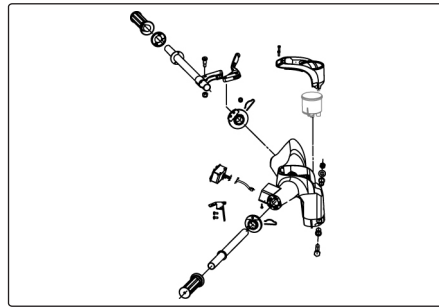


**CARBURETOR ASSEMBLY**  
Fig. No 12, Page No 54

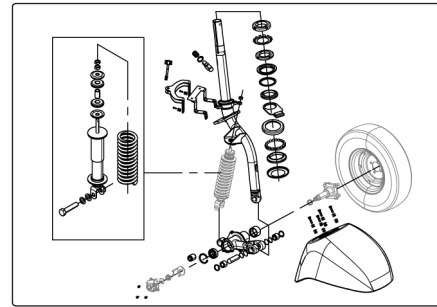
# CHAPTER INDEX



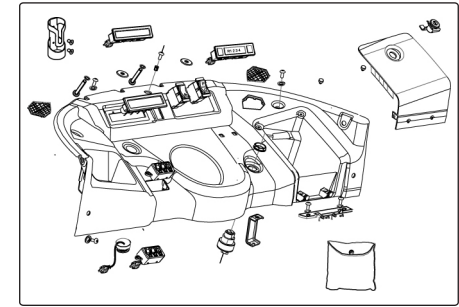
**FUEL AND OIL TANK ASSEMBLY**  
Fig. No 13, Page No 56



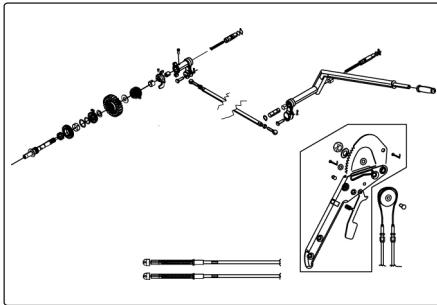
**HANDLE BAR ASSEMBLY**  
Fig. No 14, Page No 58



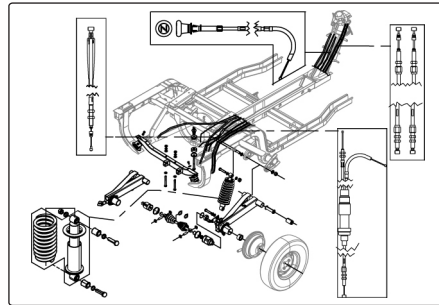
**FRONT FORK ASSEMBLY**  
Fig. No 15, Page No 60



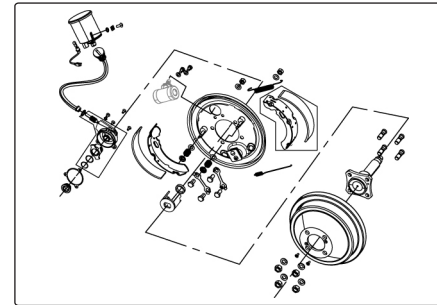
**DASH BOARD ASSEMBLY**  
Fig. No 16, Page No 64



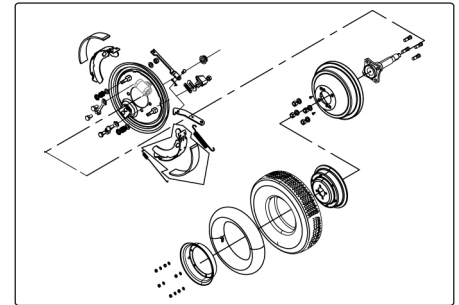
**HAND STARTER & PARKING BRAKE MECHANISM**  
Fig. No 17, Page No 66



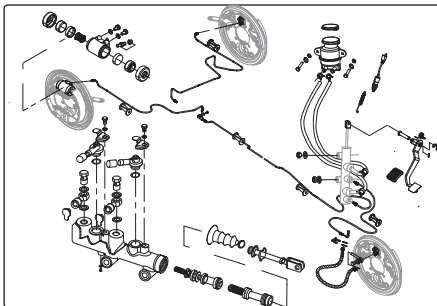
**TRANSMISSION & CONTROLS UNITS**  
Fig. No 18, Page No 68



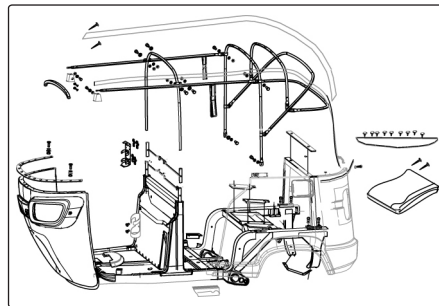
**FRONT WHEEL & SPEEDO UNIT**  
Fig. No 19, Page No 72



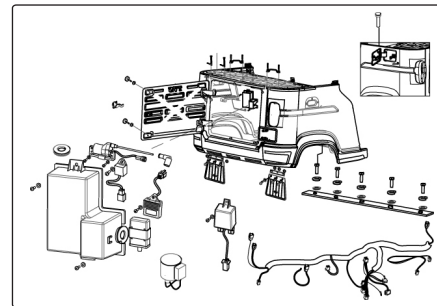
**REAR WHEEL ASSEMBLY**  
Fig. No 20, Page No 74



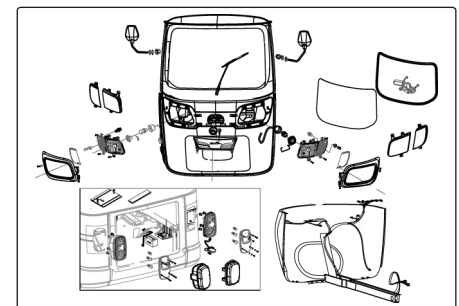
**HYDRAULIC BRAKE SYSTEM**  
Fig. No 21, Page No 76



**CHASSIS & SOFT TOP ASSEMBLY**  
Fig. No 22, Page No 78



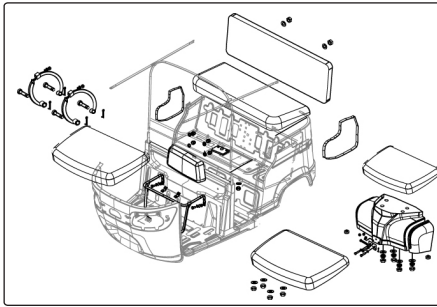
**PASSENGER BODY & ELECTRICALS**  
Fig. No 23, Page No 80



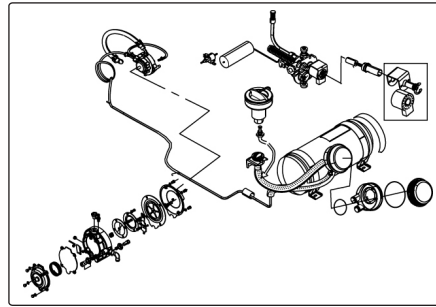
**LIGHTING SYSTEM & WINDSHIELD ASSEMBLY**  
Fig. No 24, Page No 84



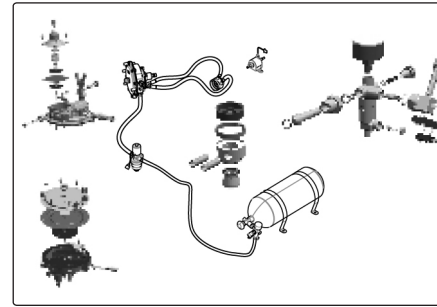
# CHAPTER INDEX



**SEAT ASSEMBLY**  
Fig. No 25, Page No 88



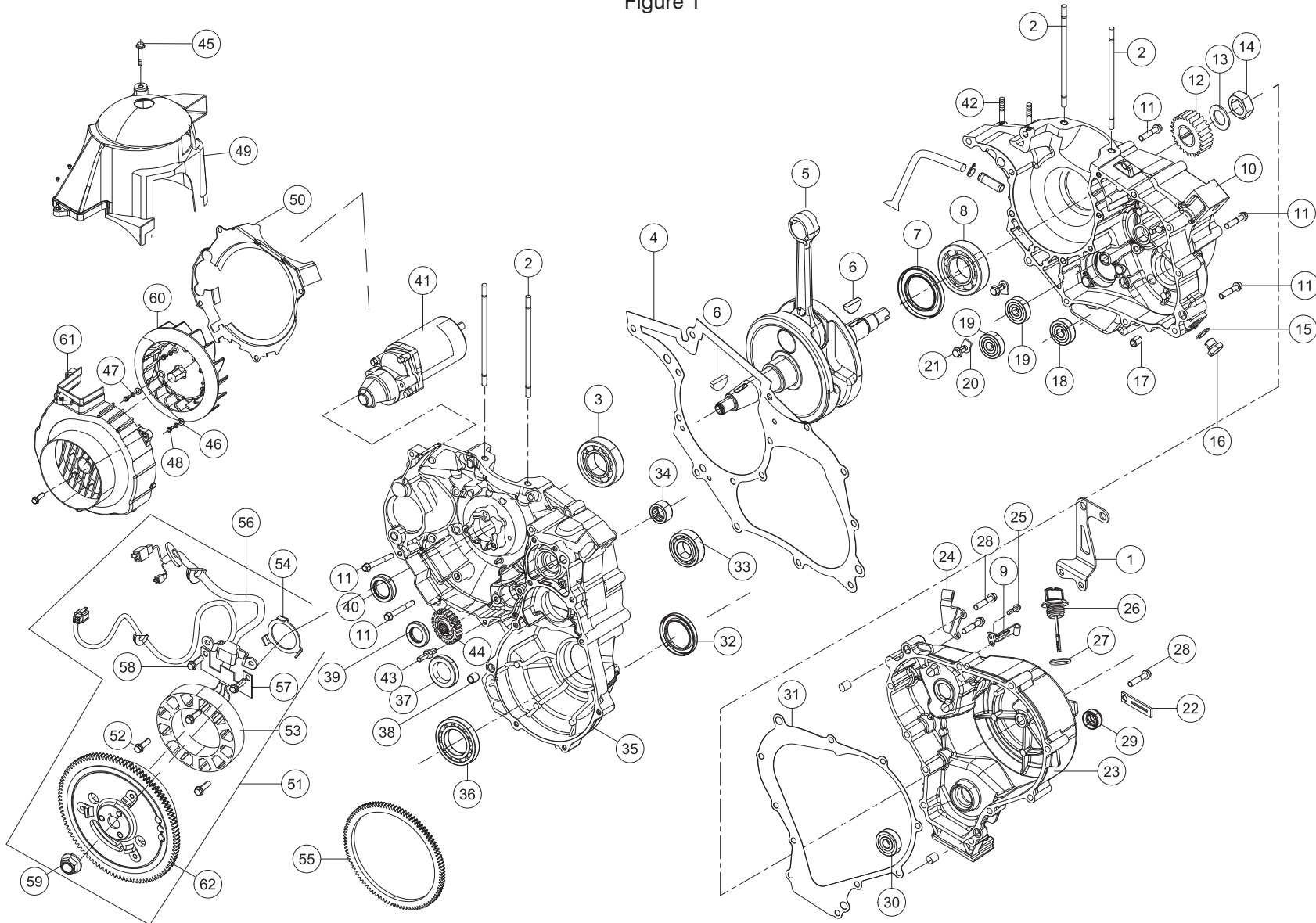
**LPG FUEL SYSTEM**  
Fig. No 26, Page No 90



**CNG FUEL SYSTEM**  
Fig. No 27, Page No 94

# CRANK CASE & CRANK SHAFT ASSEMBLY - 2S

Figure 1



## CRANK CASE & CRANK SHAFT ASSEMBLY - 2S

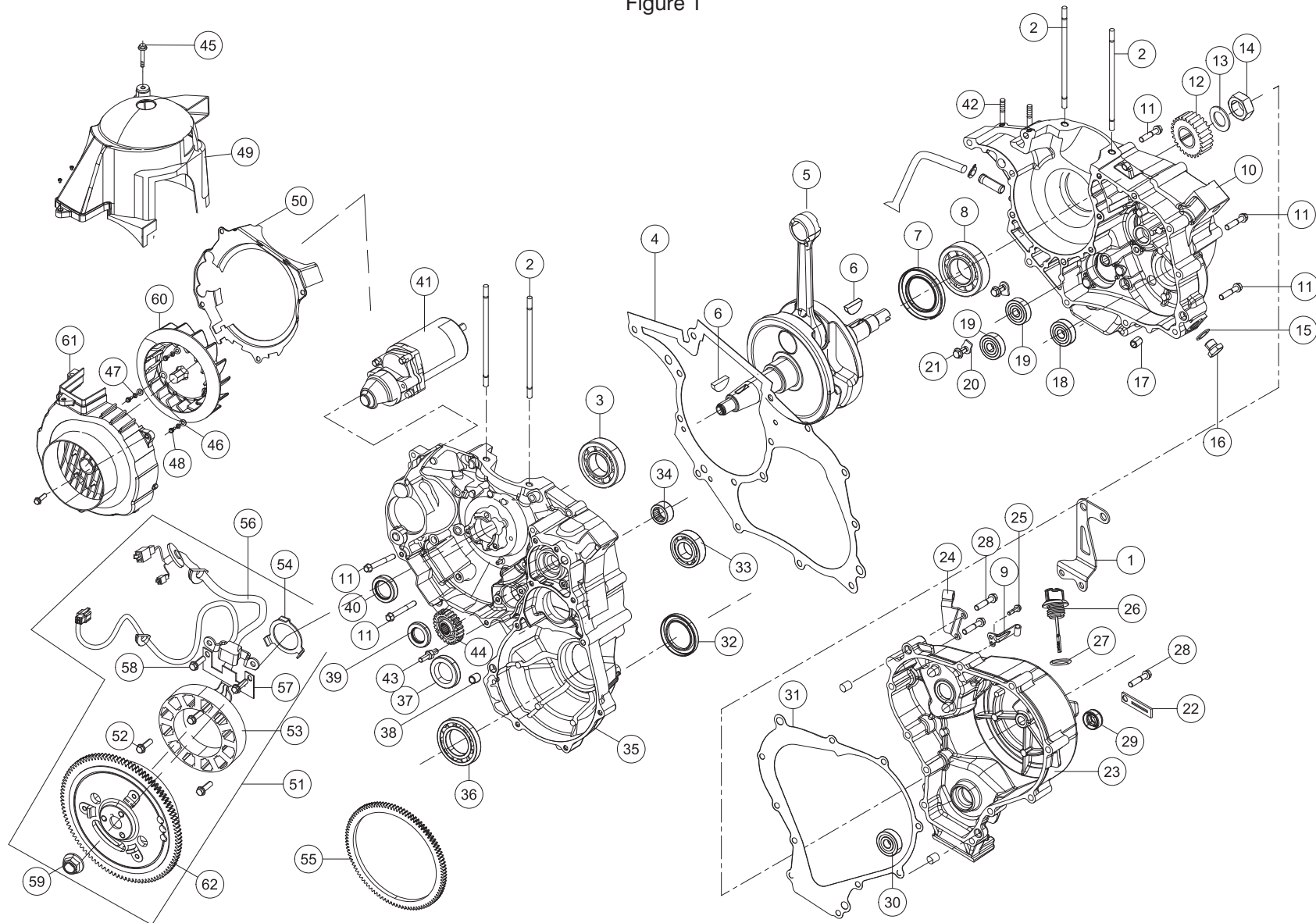
REF NO.	PART NO.	DESCRIPTION	Q/VH	MODEL**	VARIANT*	REF NO.	PART NO.	DESCRIPTION	Q/VH	MODEL	** VARIANT*
1	G4180940	Bracket Starter Motor New (Ph 2.2)	1	A	A	24	G3070250	Brkt Abutment Clutch	1	A	A
1A	G3180229	Bracket Starter Motor Old (Ni)	1	A	A	25	M1200520	Hex Fl Bolt M6X16 Oil Pump Brck Mtg	1	2S	A
2	G2200590	Stud Bolt Cylinder	4	2S	A	26	G2081880	Gauge Oil Level Engine	1	2S	A
3	G2201130	Ball Bearing 6206 - LH Cs	1	2S	A	27	S1200860	O-Ring	1	A	A
4	G3030140	Gasket Crankcase	1	2S	A	28	N5200160	Hex Flange Bolt M6X45 (Cover Ccs)	11	2S	A
5	G2020010	Crankshaft Assy - 2S 3W	1	2S	A	29	N2081720	Oil Seal Gear Shift Shaft	1	A	A
6	3044070	Key Primary Driven Gear	1	A	A	30	N2200400	Ball Bearing 12X28X8	1	A	A
7	G2200330	Oil seal Crankshaft R	1	2S	A	31	G3030160	Gasket Cover Crankcase	1	2S	A
8	G2200760	Ball Bearing 30X62X16 - RH Cs	1	4S	A	32	G2200360	Oil seal Differential	1	A	A
9	G3080380	Brkt Oil pump Cable	1	2S	A	33	N2200390	Ball Bearing 6205 (LH Ccs)	1	A	A
10	G3030250	Crankcase Sub Assy 2S RH	1	2S	A	34	G3200050	Needle Roller Bearing 18X24X12 Ccs	1	2S	A
11	N2200450	Hex Fl Bolt -M6X50 (Incl R&L)	15	A	A	35	G3030240	Crankcase Sub Assy LH 2S	1	2S	A
12	G4080010	Gear Primary Drive 3 Wheeler	1	2S	A	36	G2200310	Ball Bearing 35X62X9 16007 Differential	1	A	A
13	S1201050	Spring Disc (Washer PD Gear )	1	A	A	37	G2200340	Oil seal Drive Shaft	1	A	A
14	0334234	Hex Nut Pd Gear	1	A	A	38	G3200200	Tubular Dowel 10X12 Differential Case	1	A	A
15	S1011290	Sealing Washer Drain Bolt	1	A	A	39	G2200350	Oil seal Kick starter Shaft	1	A	A
16	N2081680	Plug TDC (Oil Drain Bolt )	1	A	A	40	G2200320	Oil seal Crankshaft L	1	2S	A
17	0074010	Dowel Pin Crank Case	2	A	A	41	G4060170	Starter Motor New (Ph.2.2)	1	A	A
18	S1200120	Ball Bearing 17X35X10 C3 6003 (Ds)	1	A	A	42	M1200780	Stud Bolt Intake Manifold	4	A	A
19	0339480	Ball Bearing 20X42X12 C3 6004 (Hs & Cs)	2	A	A	43	3034050	Hook Kick Starter Shaft Spring	1	A	A
20	G3080320	Retainer Bearing	2	A	A	44	G2081160	Gear Final Drive	1	2S	A
21	M1200520	Hex Fl Bolt M6X16	2	A	A	45	M1200470	Hex Fl Bolt M6 X 30 Cowl Top	1	A	A
22	S1125320	Clamp Oil Hose	3	A	A	46	P1200120	Punched Washer Fan mtg	3	A	A
23	G3030110	Cover Crankcase R 2S	1	2S	A	47	P1200050	Wave Spring Washer M6 Fan mtg	3	A	A

\*\* A - Common 2 & 4 Stroke models , 2S - Only 2 Stroke, 4S Only 4 Stroke

\* (A - All Variants) (P - Petrol ES) (L - LPG) (C - CNG) (LSM -LPG Single Mode)

# CRANK CASE & CRANK SHAFT ASSEMBLY - 2S

Figure 1



## CRANK CASE & CRANK SHAFT ASSEMBLY - 2S

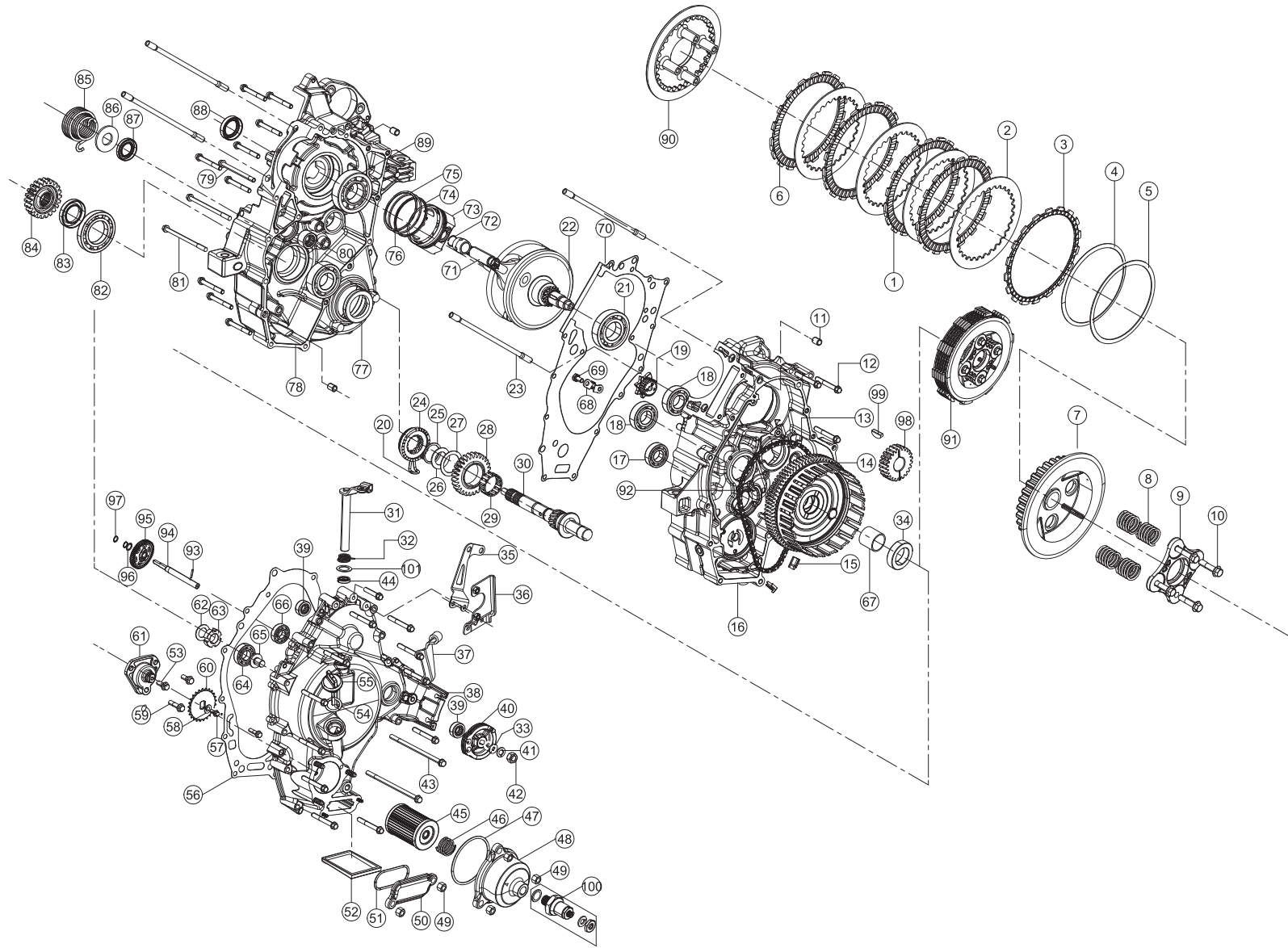
REF NO.	PART NO.	DESCRIPTION	Q/VH	MODEL**	VARIANT*	REF NO.	PART NO.	DESCRIPTION	Q/VH	MODEL	** VARIANT*
48	N2200500	Hex Flange Bolt M6X25 Fan mtg	3	A	A						
49	G2180820	Cowl Comp Top Air Cooling	1	2S	A						
50	G3180150	Back Plate Cowling	1	2S	A						
51	G3060040	Magneto Assy Es 2S with coil	1	2S	A						
52	M1200510	Hex Flange Bolt M6X25 Stator Mtg	3	A	A						
53	G3060190	Stator Coil Assy 2S	1	2S	A						
54	G3180230	Stopper Oilseal	1	A	A						
55	G3080359	Ring Gear Es	1	A	A						
56	G3060200	Pick Up / Pulsar Coil	1	A	A						
57	G3080490	Clamp Wiring Harness	1	A	A						
58	M1200530	Hex Flange Bolt M6X25	2	A	A						
59	M1200770	Hex Flange Nut M12X1.25 Rotor Mtg	1	A	A						
60	G4180860	Fan Engine Cooling 2S & 4S	1	A	A						
61	G2180810	Cowl Comp Bottom Air Cooling	1	2S	A						
62	G5060070	Rotor Assly With Ring Gear	1	2S	A						
63	G5060220	Fixing Bracket Assy (Cover Bendix ) NI	1	A	A						
64	G5060240	Brush Box Assy Kit (NI)	1	A	A						
65	G5060250	Bendix Drive And Shaft Assy Old (NI)	1	A	A						
66	G5060260	Armature Assy Old (NI)	1	A	A						
67	G4320560	Armature Coil Assy. Ph 2.2 New (NI)	1	A	A						
68	G4320570	Bendix Drive Assy. Ph 2.2 New (NI)	1	A	A						
69	G4320580	Inter Bracket PH 2.2 New ( NI)	1	A	A						

\*\* A - Common 2 & 4 Stroke models , 2S - Only 2 Stroke, 4S Only 4 Stroke

\* (A - All Variants) (P - Petrol ES) (L - LPG) (C - CNG) (LSM -LPG Single Mode)

# CRANK CASE & CRANK SHAFT ASSEMBLY - 4S

Figure 2



## CRANK CASE & CRANK SHAFT ASSEMBLY - 4S

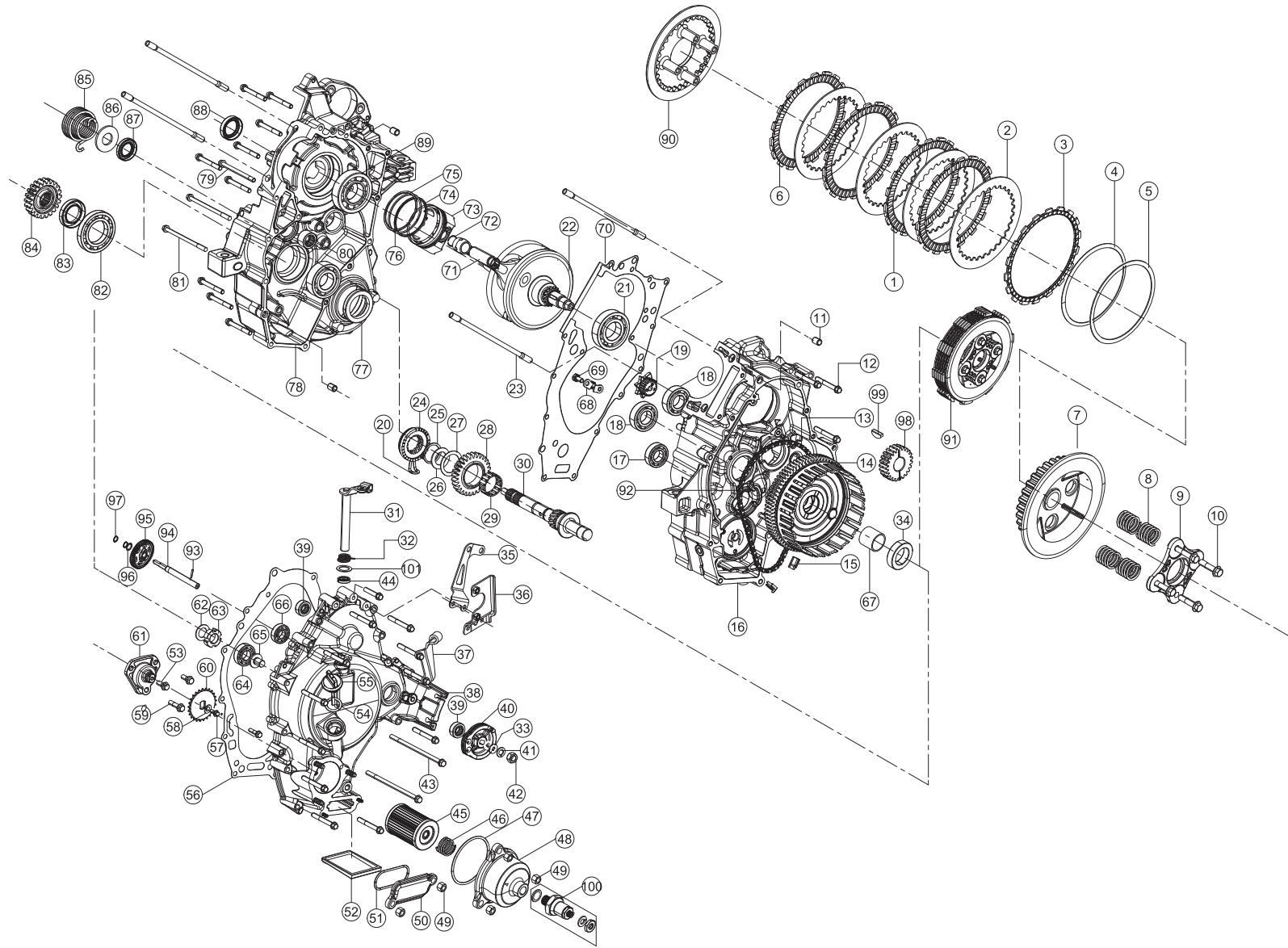
REF NO.	PART NO.	DESCRIPTION	Q/VH	MODEL**	VARIANT*	REF NO.	PART NO.	DESCRIPTION	Q/VH	MODEL	** VARIANT*
1	G4070270	Plate Clutch Drive - Type A	3	4S	A	25	G2200980	Circlip Hs	1	A	A
2	G4070340	Plate Clutch Driven .	4	4S	A	26	G2200530	Shim 20X32X1.5 Hs	2	A	A
3	G4070290	Plate Clutch Drive - Type B	1	4S	A	27	G2200970	Shim 28X38X1.0	1	A	A
4	G4070300	Spring Clutch Judder -4S	1	4S	A	28	G2082200	Gear Hand Start	1	A	A
5	G4070310	Washer Clutch Judder - 4S	1	4S	A	29	G2201100	Needle Cage 28X33X13 Hs Shaft	1	A	A
6	G4070280	Plate Clutch Drive - Type C	1	4S	A	30	G2082190	Shaft Hand Start	1	A	A
7	G4070250	Hub Clutch Mc	1	4S	A	31	G3070220	Rod Comp Clutch Release	1	A	A
8	G4070330	Spring Clutch ( New Spring 980Nm)	4	4S	A	32	G3070240	Spring Clutch Cable Return	1	A	A
9	G4070260	Plate Clutch Release Mc	1	4S	A	33	G4080290	D Washer Pulley Gearshift	1	A	A
10	N2200500	Hex Flange Bolt M6X25 Zng	4	4S	A	34	G4070240	Spacer Clutch 8 Mm Shim	1	4S	A
11	0074010	Dowel Pin	4	A	A	35	G3180229	Brkt, Mtg Starter Motor (Old)	1	A	A
12	N2200450	Hex Fl Bolt -M6X50	15	A	A	35A	G4180940	Bracket Starter Motor New (Ph 2.2) (Ni)	1	A	A
13	G4080150	Roller Chain 86 Link Oil Pump Drive	1	4S	A	36	G4040510	Brkt Air Filter SAI	1	4S	A
14	G4070500	Gear Assy Primary Driven	1	4S	A	37	G3070250	Brkt Abutment Clutch	1	A	A
15	G4080200	Guide, Slack Side Roller Chain	1	4S	A	38	G4030050	Cover Crankcase R 4S	1	4S	A
16	G4030030	Crankcase R Np.049 4S	1	4S	A	39	N2081720	Oil Seal Gear Shift Shaft	2	A	A
17	S1200120	Ball Bearing 17X35X10 C3 6003	1	A	A	40	G3080290	Pulley Gear Shift	1	A	A
18	0339480	Ball Bearing 20X42X12 C3 6004	2	A	A	41	0330318	Wave Spring Washer M8 Gear Shifter Pulley	4	2S	A
19	G3080070	Index Star	1	A	A	42	0334548	Hex Nut M8 8 Gear Shifter Pulley	1	A	A
20	G2082220	Spring Ratchet Hand start	1	A	A	43	G4200050	Hex Flange Bolt M6X122 Ccr	2	4S	A
21	M7200530	Ball Bearing 35X72X17 C3 6207 Cs L	1	4S	A	44	G4200100	Oil Seal 18 *12* 4 (Clutch Release Rod)	1	A	A
22	G1020010	Crankshaft Comp Np.049	1	4S	A	45	G4080260	Filter Comp, Engine Oil	1	4S	A
23	G4010040	Stud Bolt Cyl Head	4	4S	A	46	M1080620	Spring Oil Filter Cap	1	4S	A
24	G2082210	Ratchet Hand Start	1	A	A	47	M1080600	O-Ring 52.6X2.4	1	4S	A

\*\* A - Common 2 & 4 Stroke models , 2S - Only 2 Stroke, 4S Only 4 Stroke

\* (A - All Variants) (P - Petrol ES) (L - LPG) (C - CNG) (LSM -LPG Single Mode)

# CRANK CASE & CRANK SHAFT ASSEMBLY - 4S

Figure 2





## CRANK CASE & CRANK SHAFT ASSEMBLY - 4S

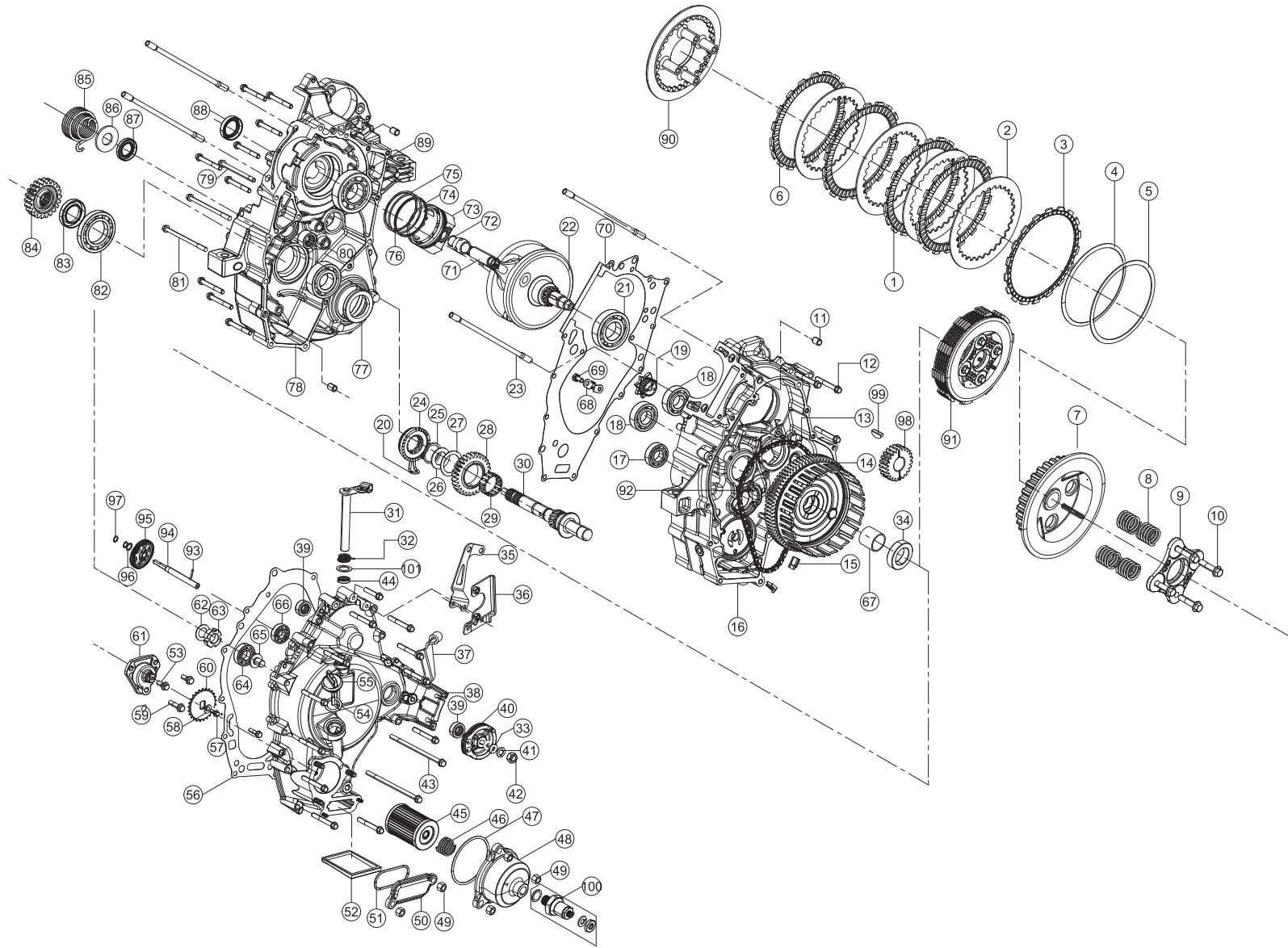
REF NO.	PART NO.	DESCRIPTION	Q/VH	MODEL**	VARIANT*	REF NO.	PART NO.	DESCRIPTION	Q/VH	MODEL	** VARIANT*
48	G4080240	Cap Oil Filter	1	4S	A	72	M1010440	Circlip 17X1.0 Piston Pin	2	4S	A
49	P1200060	Hex Nut M6 Zng Cover Oil Filter & Strainer Mtg	5	4S	A	73	G4020080	Piston 62.00	1	4S	A
50	G4080020	Cover Oil Strainer	1	4S	A	74	M7020360	3 Piece Oil Ring	1	4S	A
51	G4200010	O-Ring Cover Oil Strainer	1	4S	A	75	M7020340	Ring Piston Top	1	4S	A
52	G2082390	Oil Strainer	1	4S	A	76	G4020100	Piston Ring 2Nd 62.00	1	4S	A
53	M1200510	Hex Flange Bolt M6X25 Oil Pump Mtg	1	4S	A	77	G2200360	Oil seal Differential	2	A	A
54	S1200860	O-Ring	1	4S	A	78	G4030010	Crankcase L Np.049 4S	1	4S	A
55	G4080400	Gauge Oil Level Np.049	1	4S	A	79	M1200440	Hex Flange Bolt M6X75 CCLH	1	4S	A
56	G4030080	Gasket Cover Crank Case-R	1	4S	A	80	G4200020	Needle Roller Bearing 18X24X14 Counter Shaft	1	4S	A
57	M1200940	Hex Screw M5X10 8.8 Sprocket Oil Pump Mtg	1	4S	A	81	M1200450	Hex Flange Bolt M6X95	2	4S	A
58	8200300	Washer Sprocket Oil Pump Mtg		4S	A	82	G2200310	Ball Bearing 35X62X9 #16007	2	A	A
59	M1200520	Hex FI Bolt M6X16 Oil Pump Mtg	2	4S	A	83	G2200340	Oil seal Drive Shaft	1	A	A
60	G4080130	Sprocket, 25T	1	4S	A	84	G4080220	4S Gear Final Drive 22 Teeth	1	4S	A
61	G4080100	Oil pump Assy	1	4S	A	85	G2082260	Spring Hand start	1	A	A
62	S1201050	Disc Spring	2	A	A	86	G2200990	Punched Washer 18X39X3 Hs Shaft	1	A	A
63	G3200070	Nut Clutch M16X1.25	1	A	A	87	G2200350	Oil seal Kick starter Shaft	1	A	A
64	M1200380	Ball Bearing 15X32X9 C3 6002 Clutch	1	A	A	88	G2200320	Oil seal Crankshaft L	1	2S	A
65	G4070230	Pin Clutch Release	1	4S	A	89	M7200530	Ball Bearing 6206 R	1	2S	A
66	N2200400	Ball Bearing 12X28X8	1	A	A	90	G4070320	Disc Pressure Clutch Mc	1	4S	A
67	G3070050	Spacer Clutch	1	A	A	91	G4070010	Center Assy Clutch	1	4S	A
68	G3080320	Retainer Bearing	2	A	A	92	G2200530	Shim 20X32X1.5 Clutch	1	A	A
69	420452700	Hex Screw M6X12 8.8 Znb	2	A	A	93	G3080300	Pin Gear Shift	1	A	A
70	G4030070	Gasket Crank Case	1	4S	A	94	G3080270	Shaft Gear Shift	1	A	A
71	G4020090	Piston Pin 4S	1	4S	A	95	G3080260	Gear Shift Shaft	1	A	A

\*\* A - Common 2 & 4 Stroke models , 2S - Only 2 Stroke, 4S Only 4 Stroke

\* (A - All Variants) (P - Petrol ES) (L - LPG) (C - CNG) (LSM -LPG Single Mode)

# CRANK CASE & CRANK SHAFT ASSEMBLY - 4S

Figure 2



## CRANK CASE & CRANK SHAFT ASSEMBLY - 4S

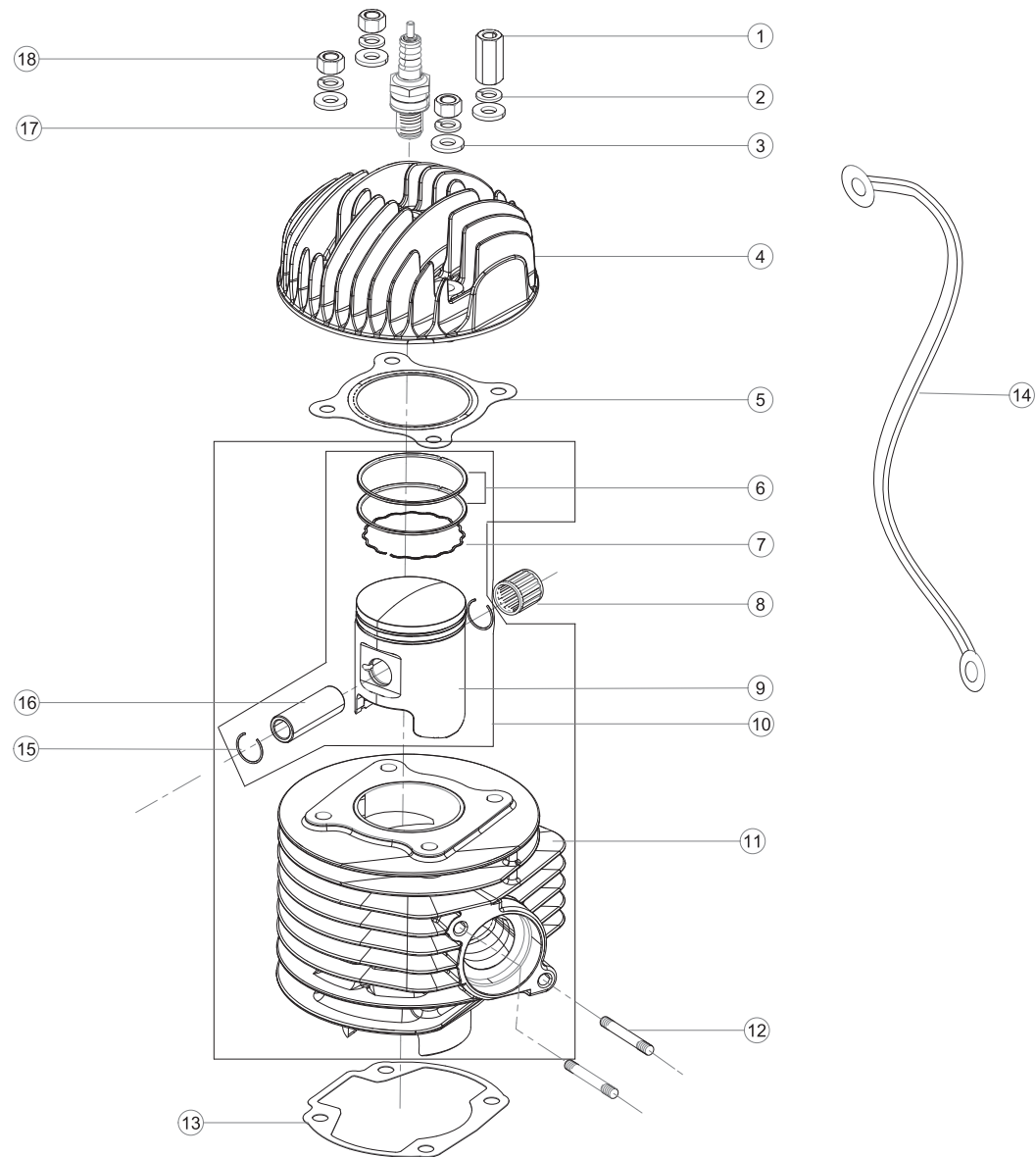
REF NO.	PART NO.	DESCRIPTION	Q/VH	MODEL**	VARIANT*	REF NO.	PART NO.	DESCRIPTION	Q/VH	MODEL	** VARIANT*
96	M1200320	Punched Washer 12.5X17X1 Zng	1	A	A						
97	M1200870	Circlip 12X1.0 N Is:3075 Ext	2	A	A						
98	G4080160	Gear Primary Drive 4 Stroke 3 Wheeler	1	4S	A						
99	3044070	Key Primary DrivenGr	1	A	A						
100	G4160170	Oil Pressure Switch	1	4S	A						
101	N3200070	Punched Washer 14.5 Clutch Release Rod	1	A	A						
102	M7321820	Ring piston top I O/S (NI)	1	A	4S						
103	G4320190	Ring piston 2nd I O/S (NI)	1	A	4S						
104	M7321860	3 piece oil ring I O/S (NI)	1	A	4S						
105	M7321830	Ring piston top II O/S	1	A	4S						
106	G4320200	Ring piston 2nd II O/S	1	A	4S						
107	M7321870	3 piece oil ring II O/S	1	A	4S						

\*\* A - Common 2 & 4 Stroke models , 2S - Only 2 Stroke, 4S Only 4 Stroke

\* (A - All Variants) (P - Petrol ES) (L - LPG) (C - CNG) (LSM -LPG Single Mode)

# CYLINDER BLOCK & PISTON ASSEMBLY - 2S

Figure 3



## CYLINDER BLOCK & PISTON ASSEMBLY - 2S

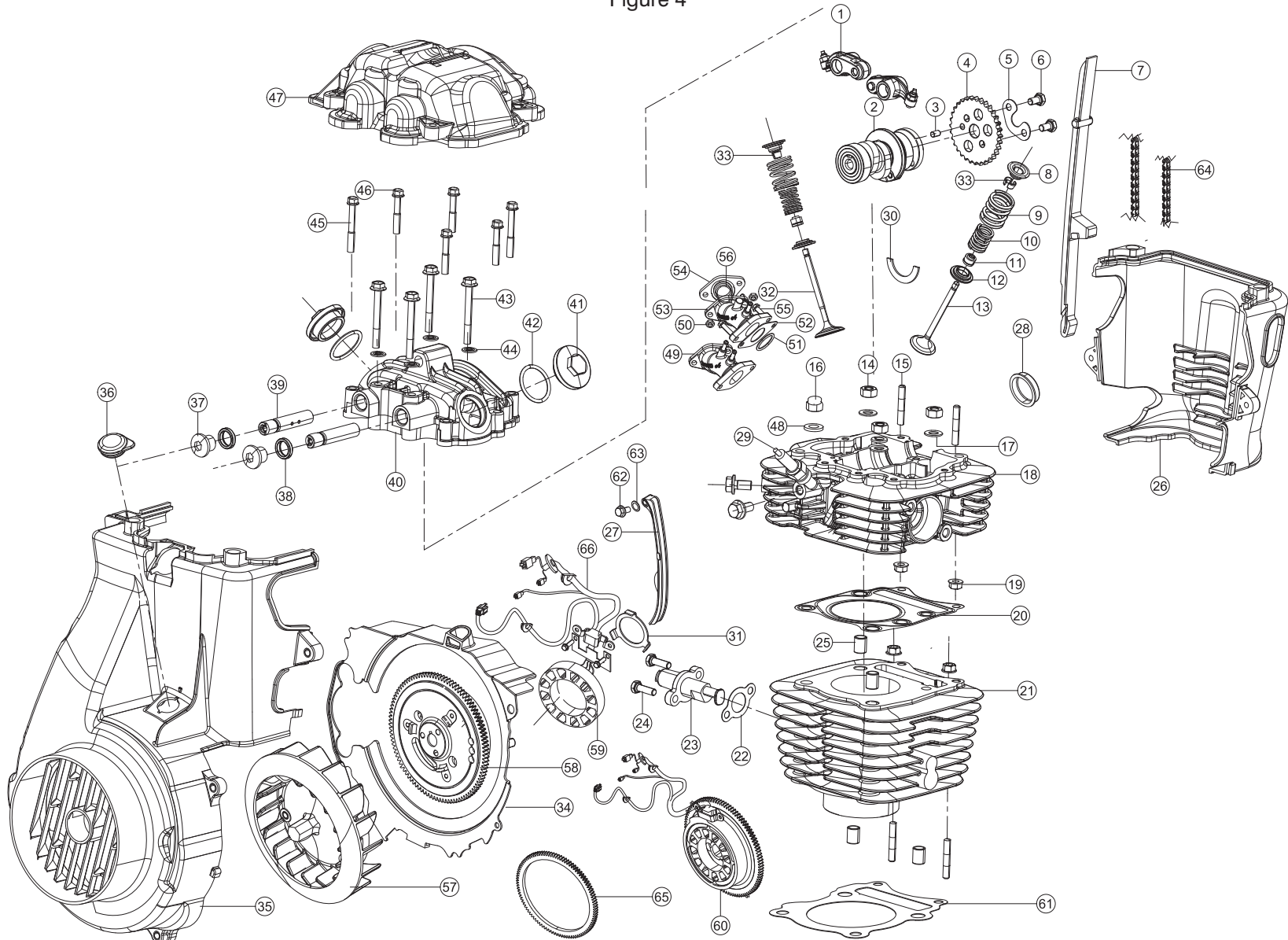
REF NO.	PART NO.	DESCRIPTION	Q/VH	MODEL**	VARIANT*	REF NO.	PART NO.	DESCRIPTION	Q/VH	MODEL	** VARIANT*
1	G2200780	Hex Nut M8 Spl	1	2s	A						
2	0330318	Wave Spring Washer M8	4	2S	A						
3	M1200060	Punched Washer 8.5X18X2.3	4	2S	A						
4	G3010020	Cylinder Head	1	2S	A						
5	G5010020	Gasket Cylinder Head .	1	2S	A						
6	G2010140	Ring Piston	2	2S	A						
6A	G2320030	Ring Piston 1 Oversize - N.I.	2	2S	A						
6B	G2320040	Ring Piston 2 Oversize - N.I.	2	2S	A						
7	G2010170	Expander Ring	1	2S	A						
7A	G2320050	Expander, Ring 1 Oversize - N.I.	1	2S	A						
7B	G2320060	Expander, Ring 2 Oversize - N.I.	1	2S	A						
8	G2200430	Needle Cage Piston Pin 16X20X20	1	2S	A						
9	G2010110	Piston Standard	1	2S	A						
10	G2020160	Piston Kit - 2S Standard	1	2S	A						
10A	G3320080	Piston Kit Over Size 1	1	2S	A						
10B	G3320090	Piston Kit Over Size 2	1	2S	A						
11	G2010440	Cylinder Block Finished 2S	1	2S	A						
12	G2201140	Stud Bolt M8	2	2S	A						
13	G2010450	Gasket Cylinder Block	1	2S	A						
14	G5160590	Earth Cable	1	2S	A						
15	G2010210	Circlip Piston	2	2S	A						
16	G2010200	Piston Pin	1	2S	A						
17	G5010030	Wqr6Dc Spark Plug	1	2S	A						
18	G3200210	Hex Nut M8-1.25	3	2S	A						

\*\* A - Common 2 & 4 Stroke models , 2S - Only 2 Stroke, 4S Only 4 Stroke

\* (A - All Variants) (P - Petrol ES) (L - LPG) (C - CNG) (LSM -LPG Single Mode)

# CYLINDER BLOCK ASSEMBLY - 4S

Figure 4



## CYLINDER BLOCK ASSEMBLY - 4S

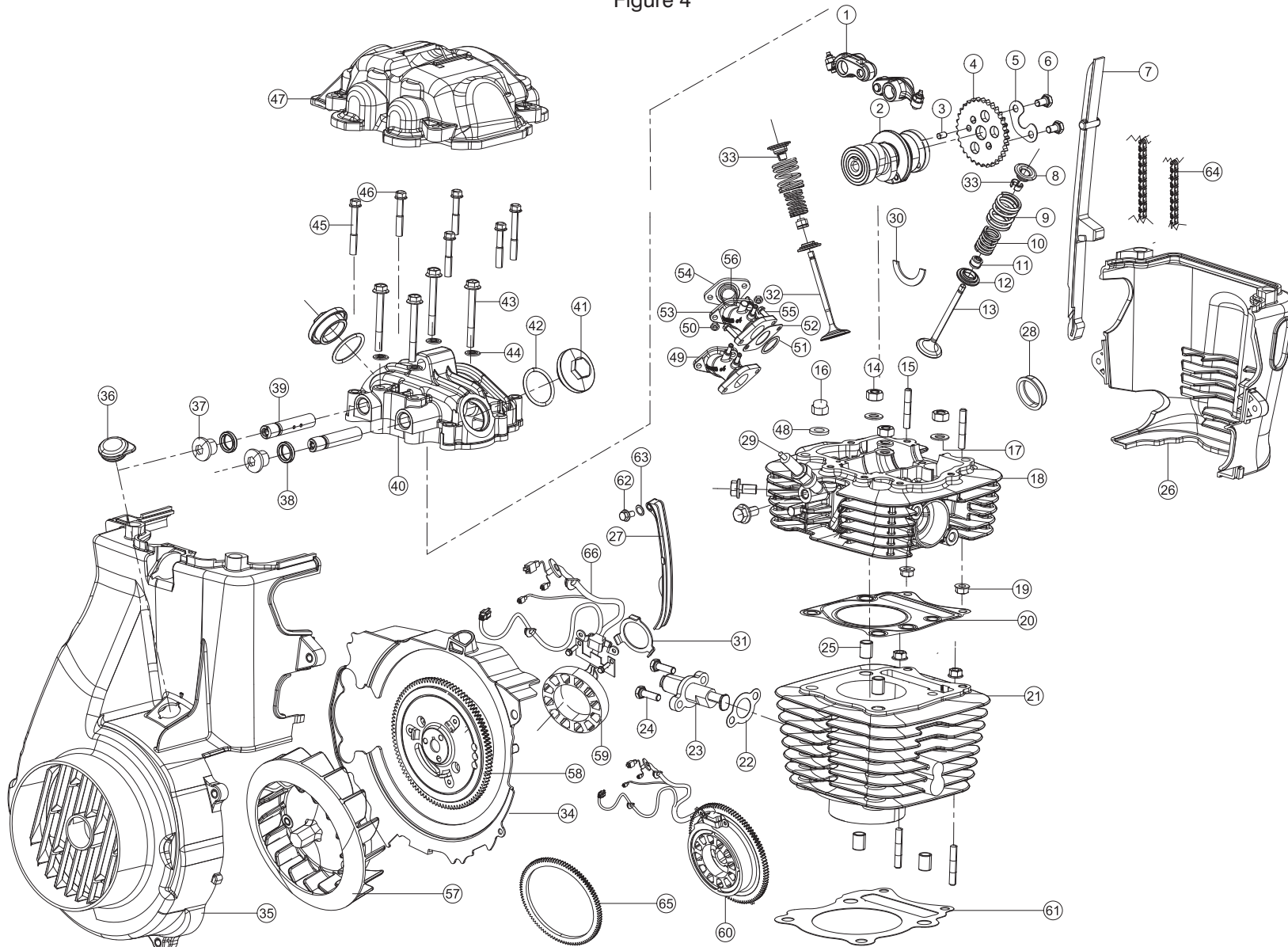
REF NO.	PART NO.	DESCRIPTION	Q/VH	MODEL**	VARIANT*	REF NO.	PART NO.	DESCRIPTION	Q/VH	MODEL	** VARIANT*
1	M7010780	Rocker Arm Assy	2	4S	A	25	S1200270	Tubular Dowel Cy Head & Block	4	4S	A
2	G4010130	Camshaft Comp Np.049	1	4S	A	26	G4180050	Cowl Comp Back Air Cooling	1	4S	A
3	M1010490	Pin Sprocket Knock	1	4S	A	27	G4010050	Tensioner Cam chain	1	4S	A
4	M1010210	Sprocket Camshaft 32T	1	4S	A	28	M7010910	Plug Cylinder Head	1	4S	A
5	M1080500	Washer Sprocket	1	4S	A	29	G4011310	Spark Plug 4S	1	4S	A
6	420452700	Ex Screw M6X10.5 P	2	4S	A	30	M7010840	C-Ring Camshaft	1	4S	A
7	G4010060	Guide Cam chain	1	4S	A	31	G3180230	Stopper Oil seal	1	A	A
8	N2011040	Retainer Valve Spring	2	4S	A	32	M7010270	Valve Intake	1	4S	A
9	M1010580	Spring Valve Outer	2	4S	A	33	S1010320	Cotter Valve	4	4S	A
10	M1010570	Spring Valve Inner	2	4S	A	34	G4180060	Back Plate, Air Cooling	1	4S	A
11	N4011100	Seal Valve Stem Oil	2	4S	A	35	G4180030	Cowl Comp Bottom Air Cooling	1	4S	A
12	M1010610	Seat Valve Spring	2	4S	A	36	G4180310	Cap Timing Inspection	1	4S	A
13	M7010280	Valve Exhaust	1	4S	A	37	M1010540	Plug Rocker Shaft	2	4S	A
14	G3200210	Hex Nut M8-1.25 TsdS 0304 Cy.Head	3	4S	A	38	M1080420	Gasket Breather Plug	2	4S	A
15	M1200780	Stud Bolt Cyl Head	2	4S	A	39	M7010850	Shaft Rocker Arm	2	4S	A
16	M1200050	Domed Nut With Flange M8 Cy.Head	1	4S	A	40	M7010830	Cover Cylinder Head	1	4S	A
17	M1200060	Punched Washer 8.5X18X2.3 Cy Head	3	4S	A	41	M1010380	Cap Inspection Hole	2	4S	A
18	G4010180	Cylinder Head Comp	1	4S	A	42	M1010390	O-Ring 29.5X3	2	4S	A
19	M1200900	Hex Flange Nut M6	2	4S	A	43	M1200010	Hex Flange Bolt M6X55	4	4S	A
20	M7010210	Gasket Cylinder Head	1	4S	A	44	M1200010	Gasket Cyl Head Cover Bolt Copper Washer	4	4S	A
21	G4010170	Cylinder Block comp 4S	1	4S	A	45	M1200600	Hex Flange Bolt M6X45	2	4S	A
22	M1010510	Gasket Tensioner Adjuster	1	4S	A	46	M1200590	Hex Flange Bolt M6X35	4	4S	A
23	M1010180	Adjuster Assy Tensioner	1	4S	A	47	G4180040	Cowl Comp., Top Air Cooling	1	4S	A
24	P1200070	Hex Screw M6X16 8.8 Tensioner Mtg	2	4S	A	48	M1010360	Gasket Cyl Head Nut ( Copper Washer )	1	4S	A

\*\* A - Common 2 & 4 Stroke models , 2S - Only 2 Stroke, 4S Only 4 Stroke

\* (A - All Variants) (P - Petrol ES) (L - LPG) (C - CNG) (LSM -LPG Single Mode)

# CYLINDER BLOCK ASSEMBLY - 4S

Figure 4





## CYLINDER BLOCK ASSEMBLY - 4S

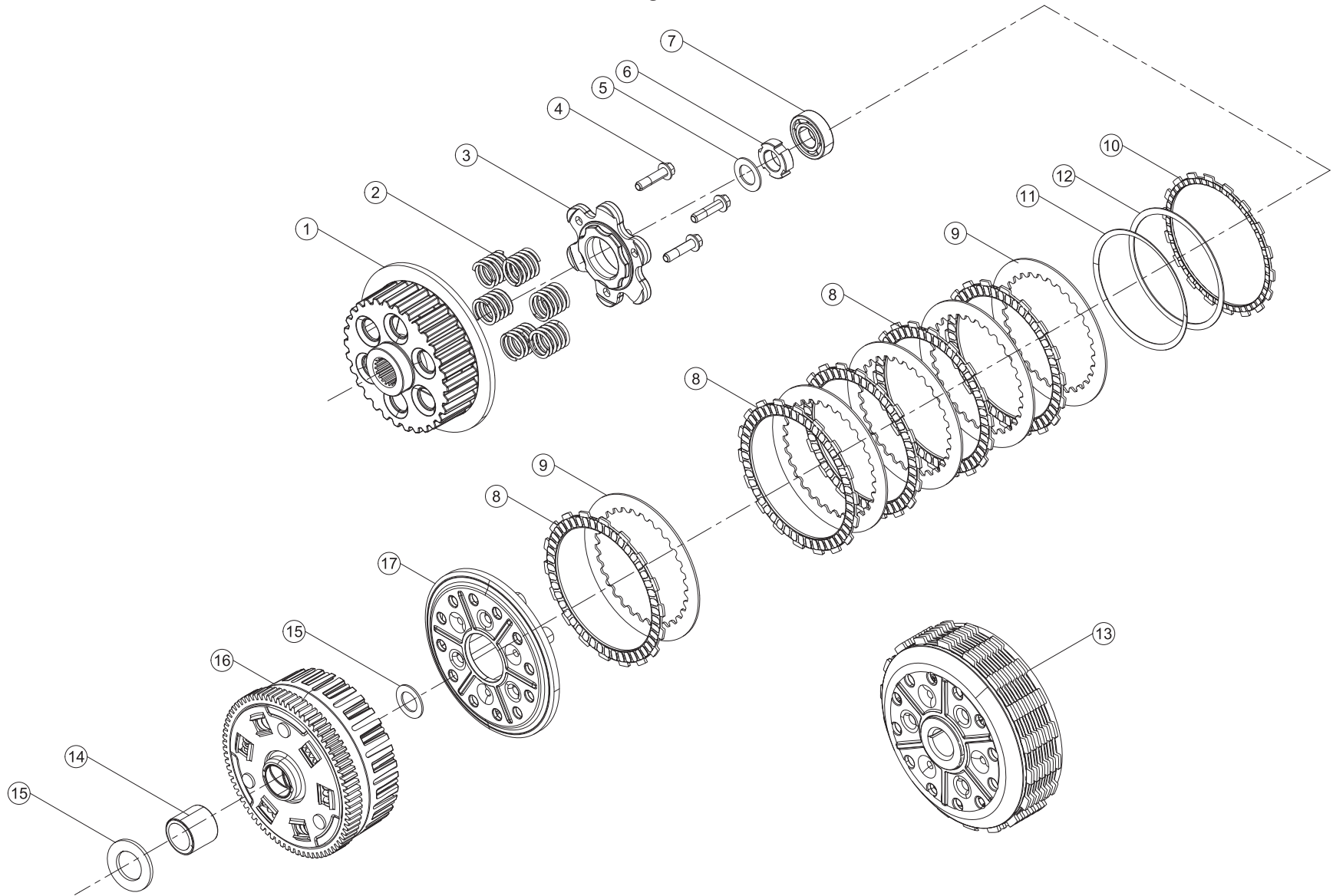
REF NO.	PART NO.	DESCRIPTION	Q/VH	MODEL**	VARIANT*	REF NO.	PART NO.	DESCRIPTION	Q/VH	MODEL	** VARIANT*
49	G4040570	Pipe Intake Comp LPG	1	4S	L/LSM						
50	M1200900	Hex Flange Nut M6	2	4S	A						
51	R1040430	O Ring Pipe Intake	1	4S	A						
52	G4040460	Gasket Pipe Intake	1	4S	A						
53	G4040340	Pipe Intake Comp Petrol	1	4S	P/C						
54	G4040440	Insulator Pad	1	4S	A						
55	M1200530	Hex Flange Bolt M6X20 Intake	5	2S \ 4S	A						
56	G2200550	O Ring Neutral Switch	1	2S \ 4S	A						
57	G4180860	Fan Engine Cooling	1	2S \ 4S	A						
58	G4320260	Rotor Assy	1	4S	A						
59	G4320270	Stator Assy	1	4S	A						
60	G4060060	Fly Wheel Magneto - 4S	1	4S	A						
61	G4010070	Gasket Cylinder Block	1	4S	A						
62	M1080510	Bolt Cam Chain Tensioner	1	4S	A						
63	N2010960	Washer Cam Chain Tensioner	4	4S	A						
64	G4010140	Cam Chain	1	4S	A						
65	G3080359	Ring Gear Es	1	A	A						
66	G3060200	Pick Up / Pulsar Coil	1	A	A						

\*\* A - Common 2 & 4 Stroke models , 2S - Only 2 Stroke, 4S Only 4 Stroke

\* (A - All Variants) (P - Petrol ES) (L - LPG) (C - CNG) (LSM -LPG Single Mode)

# CLUTCH ASSEMBLY - 2S

Figure 5



## CLUTCH ASSEMBLY - 2S

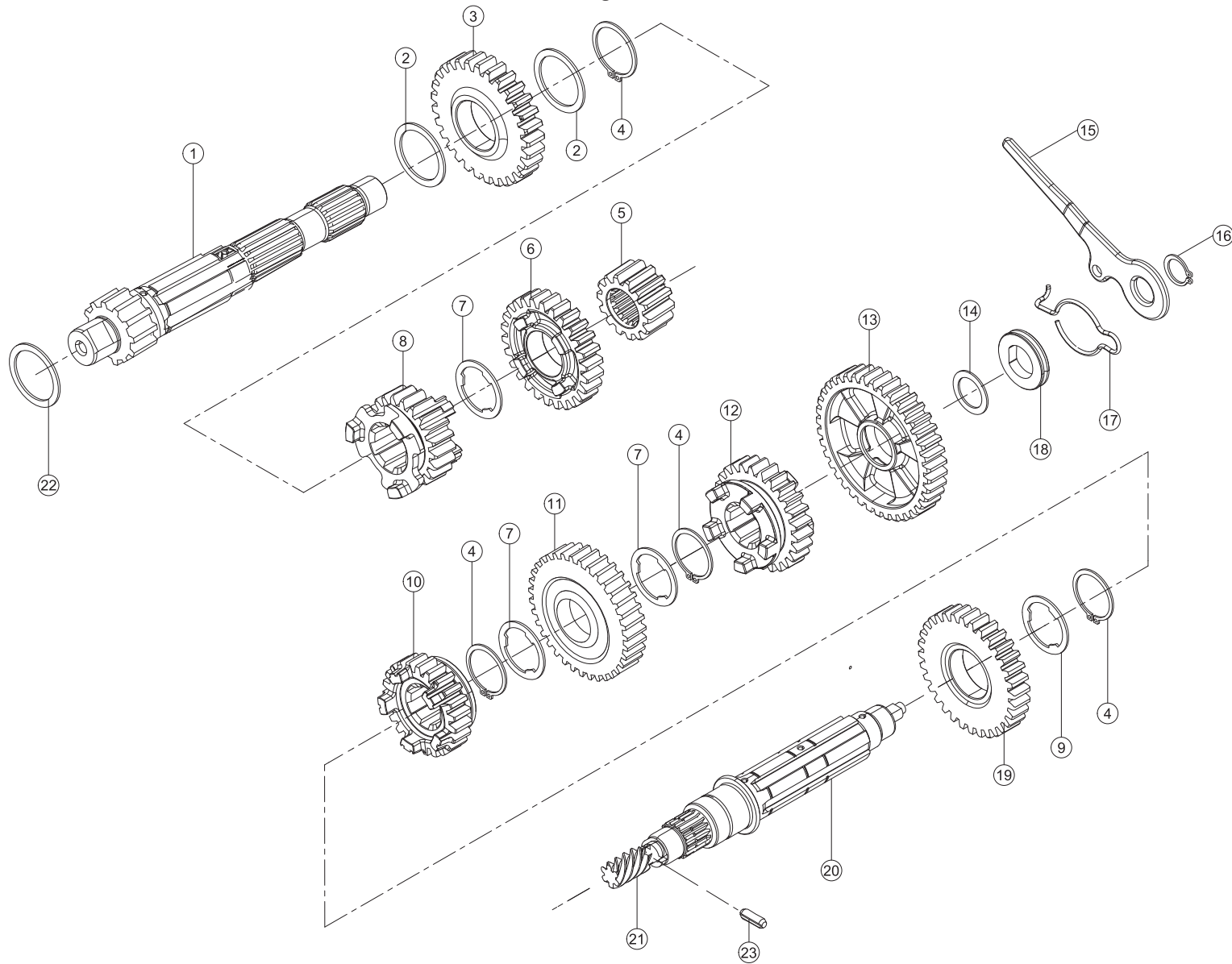
REF NO.	PART NO.	DESCRIPTION	Q/VH	MODEL**	VARIANT*	REF NO.	PART NO.	DESCRIPTION	Q/VH	MODEL	** VARIANT*
1	G3070060	Hub Clutch	1	2S	A						
2	G3070070	Spring Clutch	6	2S	A						
3	G3070100	Plate Clutch Release	1	2S	A						
4	N2200500	Hex Flange Bolt M6X25	3	A	A						
5	S1201050	Spring Disc	1	A	A						
6	G3200070	Nut Clutch M16X1.25 LH	1	A	A						
7	M1200380	Ball Bearing 15X32X9 C3 6002	1	A	A						
8	G1070030	Plate Clutch Drive	5	2S	A						
9	G1070180	Plate Clutch Driven	6	2S	A						
10	G3070310	Plate Clutch Drive Single	1	2S	A						
11	G3070300	Spring Clutch Judder	1	2S	A						
12	G3070290	Washer Clutch Judder	1	2S	A						
13	G3070120	Center Assy Clutch	1	2S	A						
14	G3070050	Spacer Clutch	1	A	A						
15	G2200530	Shim 20X32X1.5	2	A	A						
16	G3070020	Gear Primary Driven Assy	1	2S	A						
17	G3070080	Disc Clutch Release	1	2S	A						

\*\* A - Common 2 & 4 Stroke models , 2S - Only 2 Stroke, 4S Only 4 Stroke

\* (A - All Variants) (P - Petrol ES) (L - LPG) (C - CNG) (LSM -LPG Single Mode)

# GEAR BOX ASSEMBLY

Figure 6



## GEAR BOX ASSEMBLY

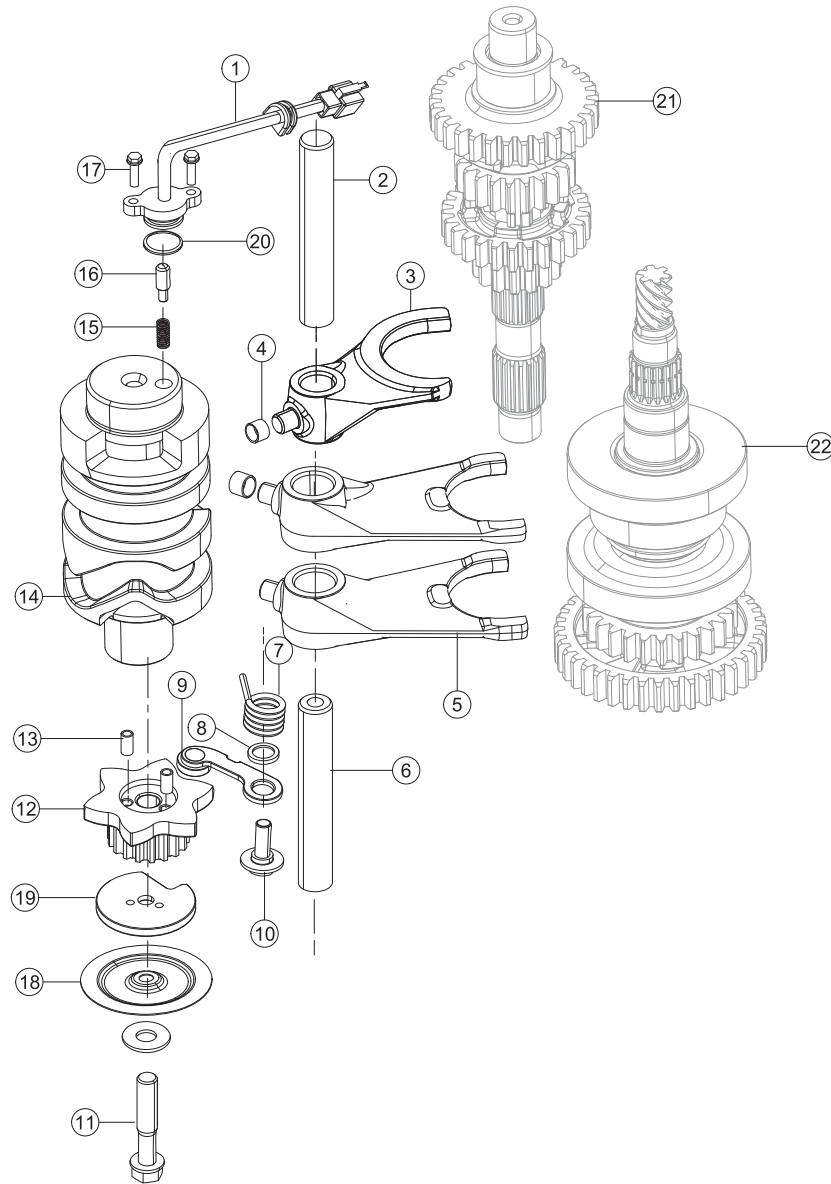
REF NO.	PART NO.	DESCRIPTION	Q/VH	MODEL**	VARIANT*	REF NO.	PART NO.	DESCRIPTION	Q/VH	MODEL	** VARIANT*
1	G2081580	Shaft Counter Comp 2S	1	2S	A						
1A	G4080110	Countershaft Comp 4S (Ni)	1	4S	A						
2	G2200480	Shim 25.5X32X1.2 3 Wheeler	2	A	A						
3	G2081610	Gear 4Th Drive 3 Wheeler	1	A	A						
4	G2200020	Circlip 25X1.2 3 Wheeler	4	A	A						
5	G2081750	Gear 1 St Drive	1	A	A						
6	G2081600	Gear 3 Rd Drive 3 Wheeler	1	A	A						
7	G2201000	Shim Sq Spline Dia23X1.2	1	A	A						
8	G3080310	Gear 2Nd Drive 3 Wheeler	1	A	A						
9	G2200690	Shim Sq Spline 25X1.2 3 Wheeler	3	A	A						
10	G2081700	Gear 4Th Driven	1	A	A						
11	G2081680	Gear 2Nd Driven	1	A	A						
12	G2081690	Gear 3Rd Driven	1	A	A						
13	G2081660	Gear Comp 1St Driven	1	A	A						
14	0335024	Shim 17X24X1.0 Oiled	1	A	A						
15	G2082340	Arm Stopper Reverse	1	A	A						
16	P200150	Circlip 11X1.0	1	A	A						
17	R1080160	Spring Gearshift Cam lock Arm	1	A	A						
18	G2082360	Plate Lock Arm Spring Reverse	1	A	A						
19	G2081710	Gear Comp Reverse Driven	1	A	A						
20	G2081630	Shaft Drive With Worm	1	A	A						
21	G2081659	Worm Fare Meter	1	A	A						
22	G2200050	Shim 21X30X1.8 3 Wheeler	1	A	A						
23	M7200500	Spring Dowel	1	A	A						

\*\* A - Common 2 & 4 Stroke models , 2S - Only 2 Stroke, 4S Only 4 Stroke

\* (A - All Variants) (P - Petrol ES) (L - LPG) (C - CNG) (LSM -LPG Single Mode)

# GEAR SHIFTER MECHANISM

Figure 7



## GEAR SHIFTER MECHANISM

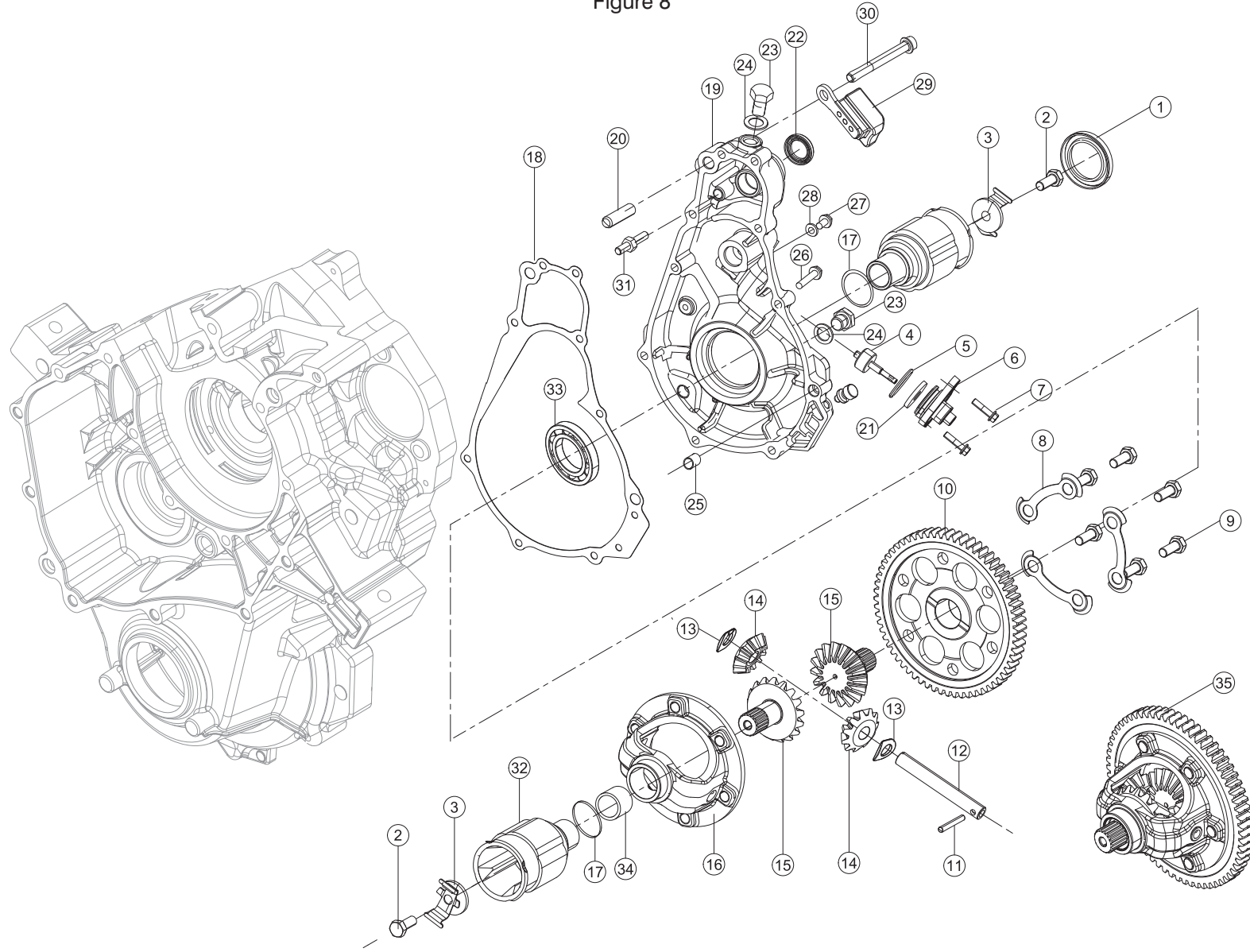
REF NO.	PART NO.	DESCRIPTION	Q/VH	MODEL**	VARIANT*	REF NO.	PART NO.	DESCRIPTION	Q/VH	MODEL	** VARIANT*
1	G2060040	Switch Assy Gear Position	1	A	A						
2	N2080520	Pin Shift Fork	1	A	A						
3	G3080200	Fork Gear Shift High Speed	1	A	A						
4	N2081570	Spacer Roller Gear Shift Fork Pin	2	A	A						
5	G3080170	Fork Gear Shift Low Speed	2	A	A						
6	G3080210	Pin Fork Shift Low Speed	1	A	A						
7	G2082140	Spring Gear Shift Cam Stopper	1	A	A						
8	G3200240	Shim 6 X 12 X 1	1	A	A						
9	G2082110	Stopper Comp Gearshift	1	A	A						
10	M1080830	Bolt Gear Shift Cam Stopper	1	A	A						
11	M1200470	Hex Flange Bolt M6X30 Retainer Mtg	1	A	A						
12	G3080070	Index Star	1	A	A						
13	G2082380	Pin Index Star	2	A	A						
14	G3080190	Cam Gear Shift	1	A	A						
15	U6080430	Spring Neutral Switch	1	A	A						
16	U6080440	Switch Contact Gear Position	1	A	A						
17	M1200530	Hex Flange Bolt M6X20 Neutral Switch Mtg	2	A	A						
18	G2082350	Retainer Arm Reverse	1	A	A						
19	G2082370	Plate Stopper Reverse	1	A	A						
20	G2200550	O Ring Neutral Switch	1	A	A						
21	G2081570	Counter Shaft Assy 2S	1	2S	A						
21A	G4080120	Counter shaft Assy 4S (Ni)	1	4S	A						
22	G2081620	Shaft Drive Assy 2S & 4S	1	A	A						

\*\* A - Common 2 & 4 Stroke models , 2S - Only 2 Stroke, 4S Only 4 Stroke

\* (A - All Variants) (P - Petrol ES) (L - LPG) (C - CNG) (LSM -LPG Single Mode)

# DIFFERENTIAL ASSEMBLY

Figure 8





## DIFFERENTIAL ASSEMBLY

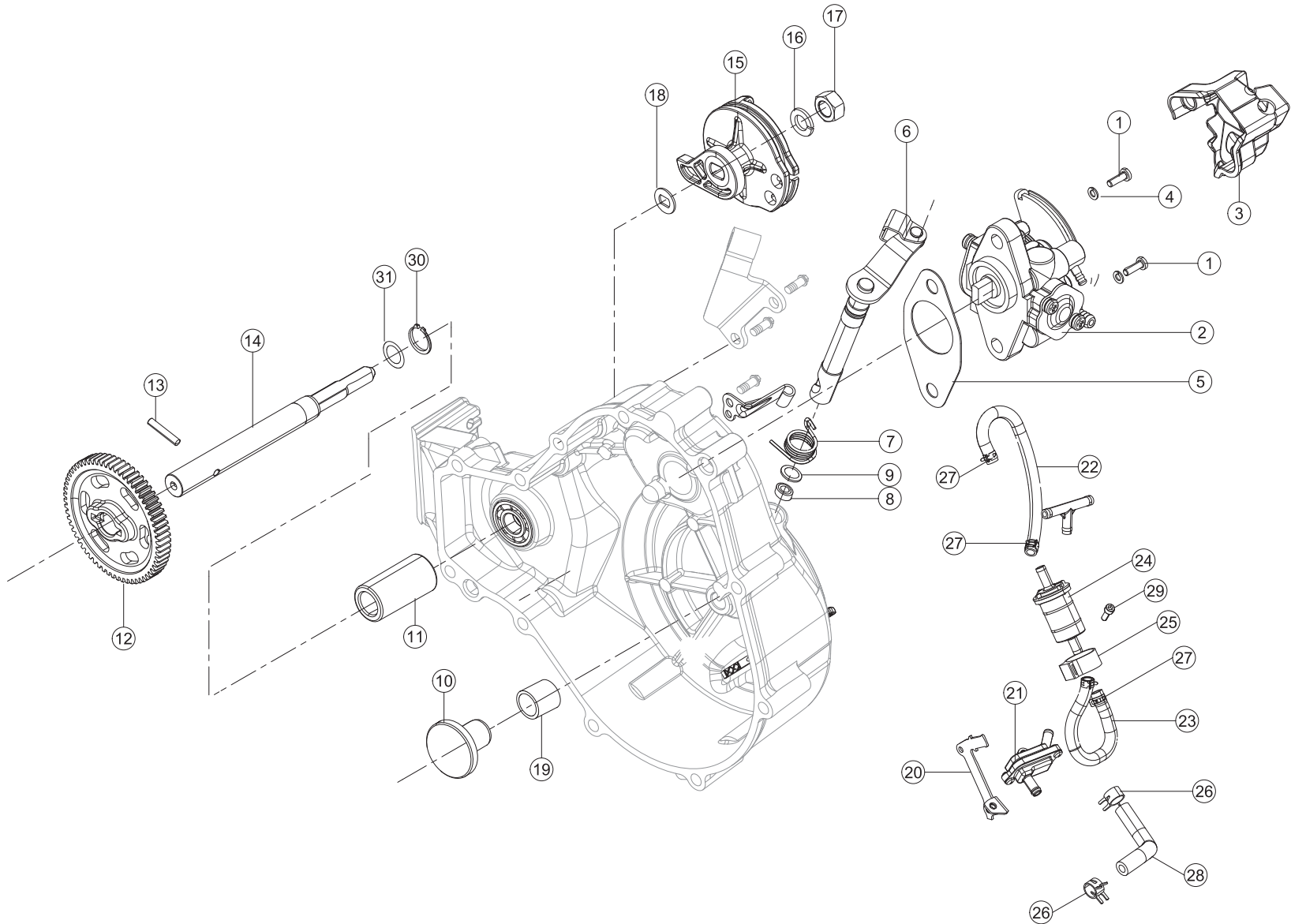
REF NO.	PART NO.	DESCRIPTION	Q/VH	MODEL**	VARIANT*	REF NO.	PART NO.	DESCRIPTION	Q/VH	MODEL	** VARIANT*
1	G2200360	Oil seal Differential	2	A	A	24	S1011290	Sealing Washer Oil Drain & Filling Bolt	2	A	A
2	420454700	Hex Screw M8X20 Muff Cup Eng Mtg	2	A	A	25	G3200200	Tubular Dowel 10X12	1	A	A
3	G2080540	Lock Plate Comp	2	A	A	26	M1200470	Hex FI Bolt M6X30 Cover Differential Mtg	7	A	A
4	G2080740	Shaft Comp Fare meter Drive	1	A	A	27	420452700	Hex Screw M6X12 (Oil Level Screw)	1	A	A
5	G2200550	O Ring Cap Fare Meter	1	A	A	28	G3200180	Oil seal 8X19X5 (Oil Level Screw)	1	A	A
6	G3080220	Cap Engine Side Fare meter	1	A	A	29	G2082290	Damper Hand Start	1	A	A
7	M1200520	Hex FI Bolt M6X16 Cap Fare Meter Mtg	2	A	A	30	N2200450	Hex FI Bolt M6X50 Damper Mtg	1	A	A
8	G2081240	Lock Plate Differential 3 Wheeler	3	A	A	31	3034050	Hook Kick Starter Shaft Spring	1	A	A
9	G3200220	Hex Screw M10X1.25X20 Differential Lock Mtg	6	A	A	32	G208250	Muff Cup Engine	2	A	A
10	G4080230	Gear Final Driven 4 Stroke	1	4S	A	33	G2200310	Ball Bearing 35X62X9 #16007	2	A	A
10A	G2081180	Gear Final Driven 2 Stroke (Ni)	1	2S	A	34	G2081479	Bush Housing Differential 3 Wheeler	1	A	A
11	G2081220	Lock Pin Satellite Gear 3 Wheeler	1	A	A	35	G4080250	Differential Assy - 4 Stroke 3 Wheeler	1	4S	A
12	G2081230	Pin Satellite Gear 3 Wheeler	1	A	A	35A		Differential Assy - 2 Stroke 3 Wheeler	1	2S	A
13	G2081210	Shim Differential Housing 3 Wheeler	2	A	A						
14	G2081410	Satellite Gear 3 Wheeler	2	A	A						
15	G2081400	Bevel Gear 3 Wheeler	2	A	A						
16	G2081420	Housing Comp Differential 3 Wheeler	1	A	A						
17	0248010	O Ring Muff Cup Differential Mtg	4	A	A						
18	G3030150	Gasket Cover Differential	1	A	A						
19	G3030090	Cover Differential	1	A	A						
20	G3200200	Tubular Dowel 10X12	1	A	A						
21	G3200180	Oil seal 8X19X5 (Fare Meter Oil Seal)	1	A	A						
22	G3200190	Dust Seal 18X27X6	1	A	A						
23	N2081680	Plug Tdc Oil Drain & Filling Bolt	2	A	A						

\*\* A - Common 2 & 4 Stroke models , 2S - Only 2 Stroke, 4S Only 4 Stroke

\* (A - All Variants) (P - Petrol ES) (L - LPG) (C - CNG) (LSM -LPG Single Mode)

# OIL PUMP & SECONDARY AIR INJECTION ASSEMBLY - 2S

Figure 9



## OIL PUMP & SECONDARY AIR INJECTION ASSEMBLY - 2S

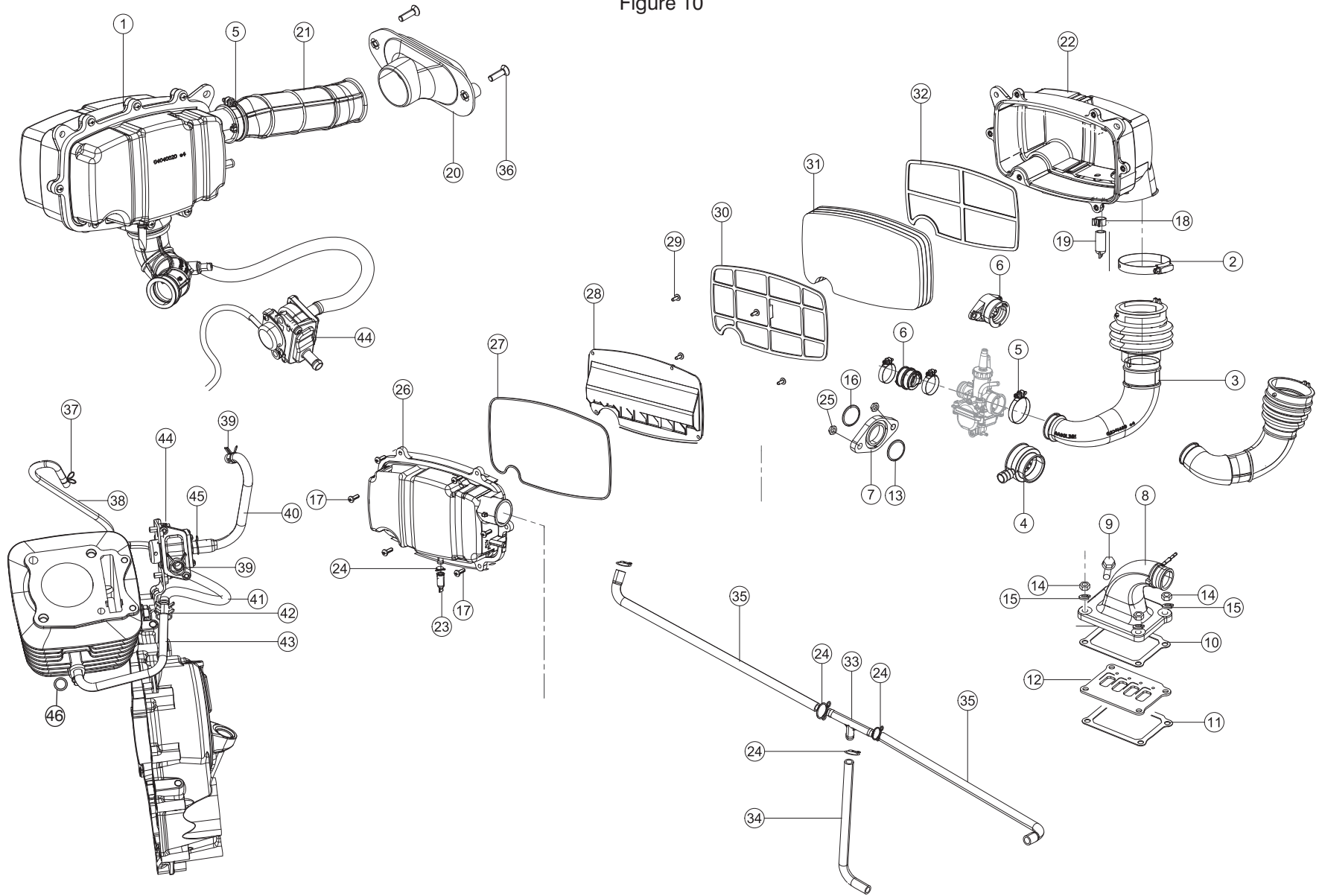
REF NO.	PART NO.	DESCRIPTION	Q/VH	MODEL**	VARIANT*	REF NO.	PART NO.	DESCRIPTION	Q/VH	MODEL	** VARIANT*
1	0331718	Crph Scr M5X16 6.8	2	2S	A	25	P1040220	Boot SAI Filter	1	2S	A
2	G5080380	Oil pump Assy -33CC	1	2S	A	26	N8040350	Hose Clip Air Injection	2	2S	A
3	G2180910	Cover Oil pump	1	2S	A	27	R2040400	Hose Clip Np.054	4	2S	A
4	0330308	Wave Spring Washer M5	2	2S	A	28	K3040230	Hose SAI Out Let To Muffler	1	2S	A
5	G3080370	Gasket Oil Pump	1	2S	A	29	M1200790	Hex Soc HD Cap Scr M6X16 P 8.8	1	2S	A
6	G3070220	Rod Comp Clutch Release	1	A	A	30	M1200870	Circlip 12X Gear Shifter Shaft	1	A	A
7	G3070240	Spring Clutch Cable Return	1	A	A	31	M1200320	Washer 12.5 Gear Shifter Shaft	1	A	A
8	G4200100	Oil seal 18 *12* 4 (Clutch Release Rod)	1	A	A						
9	N3200070	Punched Washer 14.5X22X0.8	1	A	A						
10	G3070260	Pin Clutch Release	1	2S	A						
11	G3080280	Spacer Gear Shift Shaft	1	A	A						
12	G3080260	Wheel Gear Shift	1	A	A						
13	G3080300	Pin Gear Shift	1	A	A						
14	G3080270	Shaft Gear Shift	1	A	A						
15	G3080290	Pulley Gear Shift	1	A	A						
16	0330318	Wave Spring Washer M8	1	A	A						
17	G3200210	Hex Nut M8	1	A	A						
18	G4080290	D Washer, Pulley Gear Shift	1	A	A						
19	M7200510	Bearing Bush 12X15X10	2	A	A						
20	G5040040	Brkt Air Filter Sai Comp	1	2S	A						
21	G5040080	Sec Air Injection Valve Assy	1	2S	A						
22	G5040050	Hose Sai Inlet 2S All.	1	2S	A						
23	G5040060	Hose Air Inlet 2S	1	2S	A						
24	N9041670	Air Cleaner SAI	1	2S	A						

\*\* A - Common 2 & 4 Stroke models , 2S - Only 2 Stroke, 4S Only 4 Stroke

\* (A - All Variants) (P - Petrol ES) (L - LPG) (C - CNG) (LSM -LPG Single Mode)

# INDUCTION SYSTEM

Figure 10



# INDUCTION SYSTEM

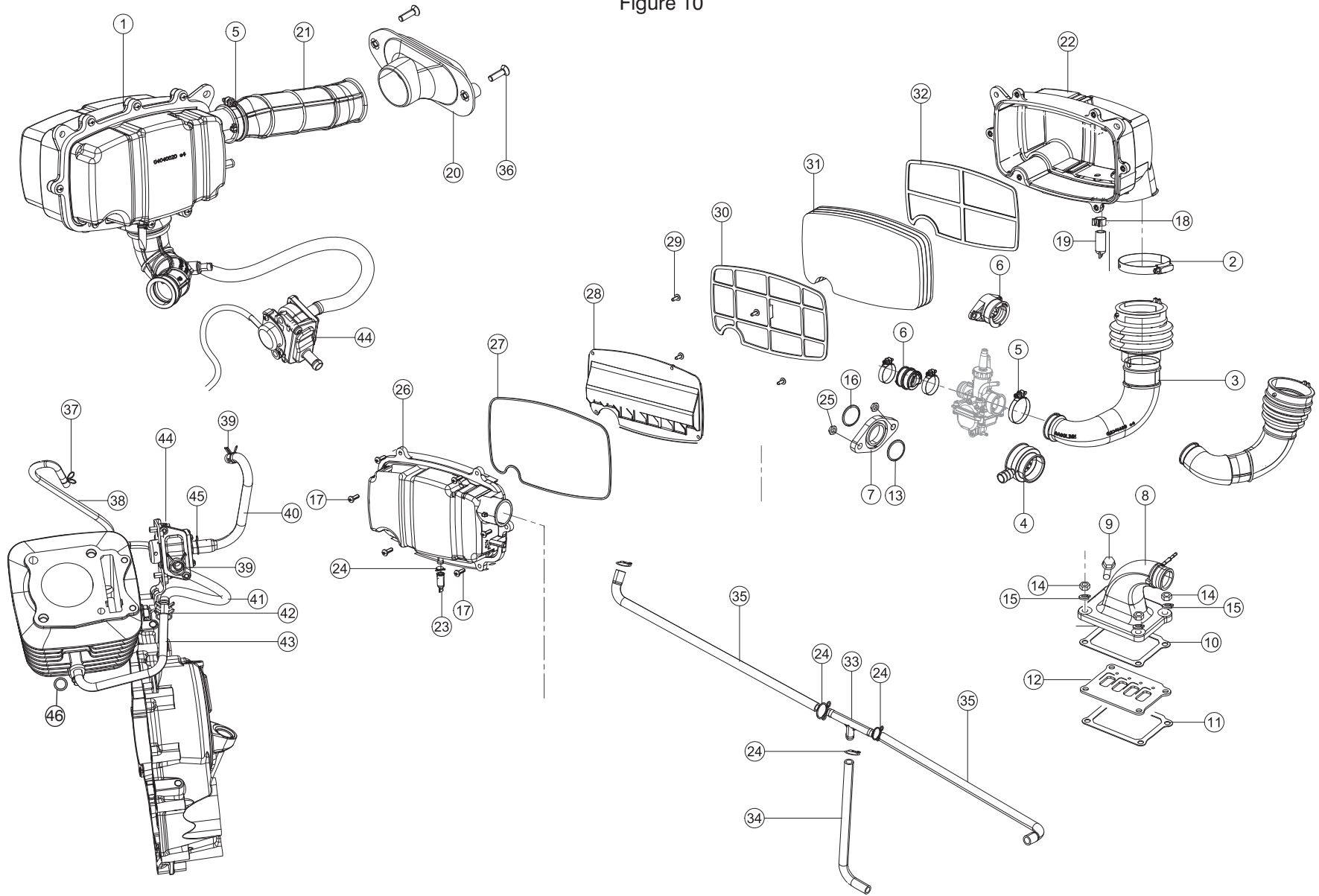
REF NO.	PART NO.	DESCRIPTION	Q/VH	MODEL**	VARIANT*	REF NO.	PART NO.	DESCRIPTION	Q/VH	MODEL	** VARIANT*
1	G4040030	Air Cleaner Assy	1	A	A	12	G2040730	Reed Valve Assy	1	2S	A
2	G4200030	Clip Worm Drive Dia76	1	A	A	13	R1040430	O-Ring Pipe Intake	1	4S	A
3	G5040020	Tube Outlet Gasoline	1	2S	P	14	P1200060	Hex Nut M6 Manifold mtg	3	2S	A
3A	G2041380	Tube Outlet Air Filter (Ni)	1	2S	L/C	15	P1200050	Wave Spring Washer M6 Zng	4	2S	A
3B	G4040299	Tube Outlet Air Filter (Ni)	1	4S	L/C/LSM	16	G2200550	O Ring 25 X 2.85 Adopter Carb	1	4S	A
3C	G4040070	Tube Outlet Air Filter (Ni)	1	4S	P	17	0331718	Crph Scr M5X16 Cover Air filter Mtg	5	2S	A
3D	G4040690	Tube Outlet Air Filter Only Export (Ni)	1	4S	P	18	K140820	Hose Clip Oil Drain Air Filter Hose	1	A	A
4	G2041680	LPG Mixer Body 2S.	1	2S	L	19	G4040330	Drain Pipe Post Filter	1	A	A
4A	G4040580	LPG Mixer Body 4S. (Ni)	1	4S	L	20	G4040190	Flange Inlet Air Filter	1	A	2P/2L/4P
4B	G2041690	Mixer Body Assy CNG 2S (Ni)	1	2S	C	20A	G3040010	Flange Inlet Air Filter (Ni)	1	A	2C/4L/4C
4C	G4040610	Mixer Body Assy CNG 4S (Ni)	1	4S	C	21	G4040160	Tube Inlet	1	A	A
5	M1040140	Hose Clip Dia 46 Carburetor & Air Filter Mtg	2	2S	A	22	G4040010	Case Air Cleaner	1	A	A
5A	P100480	Hose Clip Dia 43 (Ni) Carburetor Mtg	3	A	L/C	23	R1040780	Drain Pipe Pre Filter	1	A	A
5B	M1040140	Hose Clip Dia 46 Air Filter Inlet Hose Mtg	2	A	A	24	N3040370	Clamp Drain Pipe (Pre Filter)	7	A	A
5C	M1040140	Hose Clip Dia 46 Carburetor & Air Filter Mtg	2	4S	A	25	M1200900	Hex Flange Nut M6 Carburetor Adopter Mtg	2	4S	A
5D	S1200920	Hose Clip Intake Manifold	2	2S	A	26	G4040020	Cover Air Cleaner	1	A	A
6	G2041100	Adaptor Carburettor Petrol Old	1	2S	P	27	G4040150	Seal Air Filter	1	A	A
6A	G2041620	Adaptor Carburettor New (Ni)	1	2S	A	28	G4040260	Deflector Cover Air Cleaner	1	A	A
7	G4040440	Insulator Pad	1	4S	A	29	M1201000	Crr Pan Head Tap Screw	4	A	A
8	G2041430	Pipe Intake Comp Petrol	1	2S	A	30	G4040110	Support Air Cleaner	1	A	A
8A	G2041540	Pipe Intake Comp LPG/ CNG	1	2S	L	31	G4040090	Foam Comp Filter, Air Cleaner	1	A	A
9	M1200520	Hex Fl Bolt M6X16 Intake Pipe Mtg	1	2S	A	32	G4040100	Flame Trap Comp	1	A	A
10	G2041640	Gasket Pipe Intake	1	2S	A	33	G4080300	T Pipe Breather	1	A	A
11	G2040810	Gasket Reed Valve	1	2S	A	34	G4040550	Hose Breather Pcv	1	A	A

\*\* A - Common 2 & 4 Stroke models , 2S - Only 2 Stroke, 4S Only 4 Stroke

\* (A - All Variants) (P - Petrol ES) (L - LPG) (C - CNG) (LSM -LPG Single Mode)

# INDUCTION SYSTEM

Figure 10



## INDUCTION SYSTEM

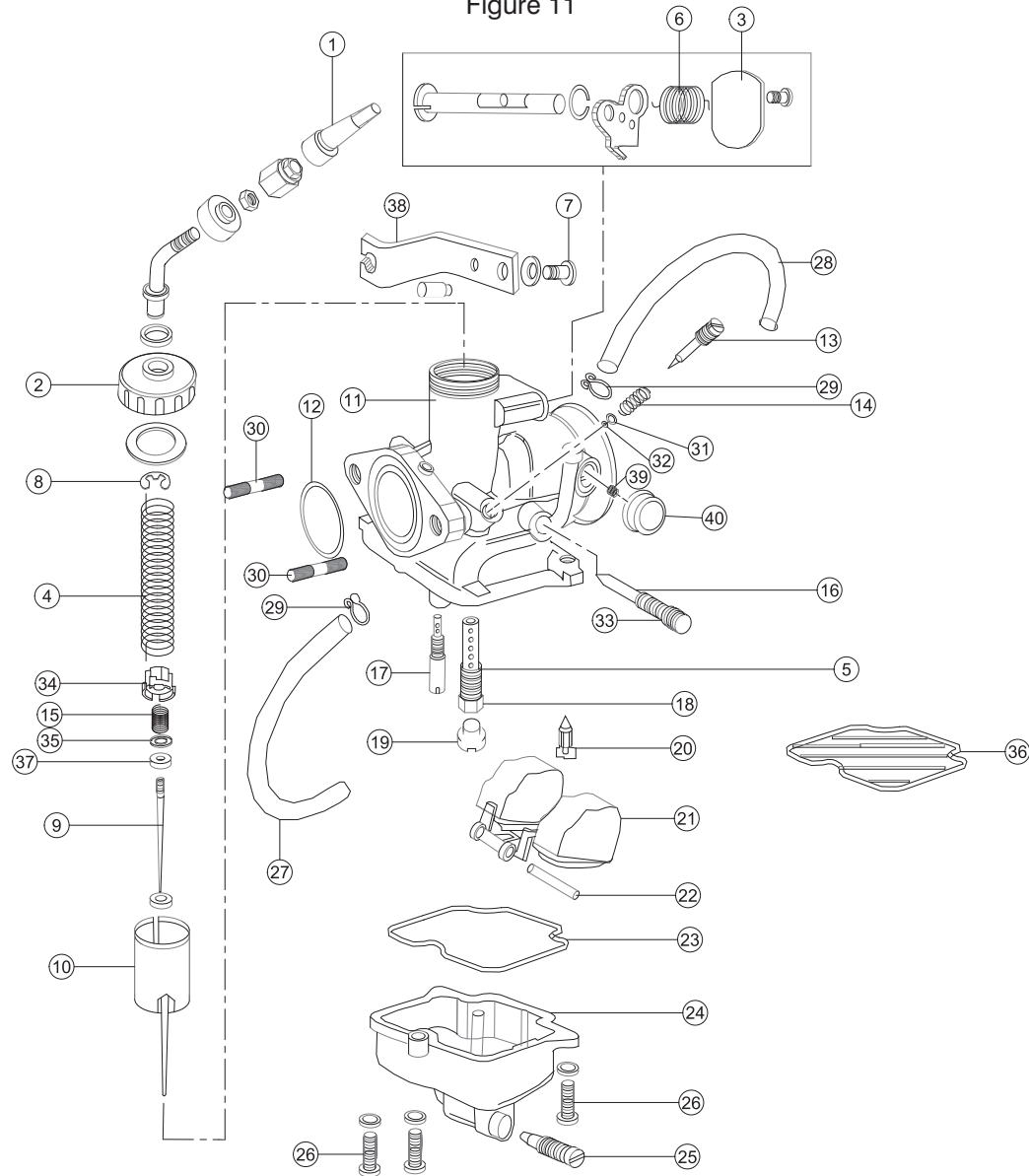
REF NO.	PART NO.	DESCRIPTION	Q/VH	MODEL**	VARIANT*	REF NO.	PART NO.	DESCRIPTION	Q/VH	MODEL	** VARIANT*
35	R2040140	Breather Hose Pcv	2	A	A						
36	N3200360	Screw Flange Inlet	2	A	A						
37	R1140350	Hose Clip Dia 7 To Intake Pipe	1	4S	A						
38	G4040600	Hose Air Cut Valve Intake Pipe	1	4S	A						
39	R1040460	Clip Hose Breather Hose Air Filter Out	2	4S	A						
40	G4040530	Hose Air Inlet Hose Air Filter Out	1	4S	A						
41	K3040230	Hose Air Potlet	1	4S	A						
42	N2041160	Clip Hose Air Outlet	1	4S	A						
43	G4040520	Pipe Comp Sai To Cy.Block	1	4S	A						
44	N9041060	Secondary Air Injection Valve	1	4S	A						
45	N2041150	Hose Clip	1	4S	A						
46	N8040340	O Ring Air Injection SAI Oit let	1	4S	A						

\*\* A - Common 2 & 4 Stroke models , 2S - Only 2 Stroke, 4S Only 4 Stroke

\* (A - All Variants) (P - Petrol ES) (L - LPG) (C - CNG) (LSM -LPG Single Mode)

# CARBURETOR ASSEMBLY

Figure 11





## CARBURETOR ASSEMBLY

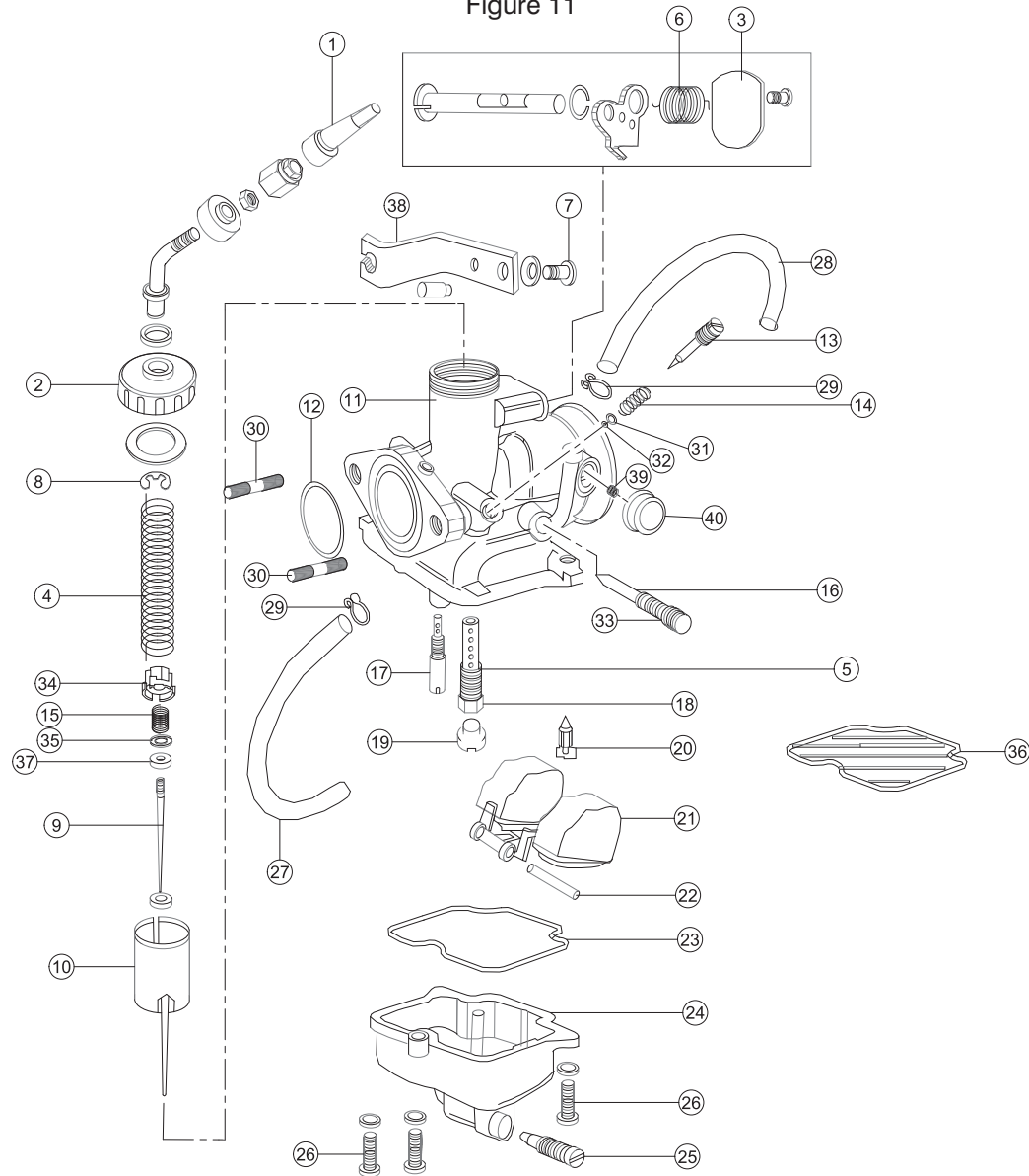
REF NO.	PART NO.	DESCRIPTION	Q/VH	MODEL**	VARIANT*	REF NO.	PART NO.	DESCRIPTION	Q/VH	MODEL	** VARIANT*
1	R1321670	Rubber Cap Cable	1	A	A	13A	3087350	Air Screw	1	2S	A
2	G2320770	Mixing Cap Assembly	1	A	A	14	K3320510	Spring Air Screw	1	A	A
3	G5320710	Choke Valve	1	A	A	15	N2320330	Spring Co	1	A	A
4	G2320960	Spring Throttle	1	A	A	16	G2320820	Idling Adjuster Screw	1	A	A
5	G2320810	Needle Jet	1	A	2L/4P	17	K3320340	Pilot Jet	1	4S	P/L
5A	G4320110	Needle Jet (Ni)	1	A	2C/4L	17A	R1320400	Pilot Jet Ni	1	4S	C
5B	G4320310	Needle Jet (Ni)	1	4S	C	17B	G3320150	Pilot Jet	1	2S	A
5C	R1321610	Needle Jet (Ni)	1	2S	P	18	G2320790	Jet Holder	1	A	2A/4L/C
6	G2320890	Spring To	1	A	A	18A	N2320250	Jet Holder Ni	1	4S	P
7	N5320340	Screw Brckt Chk Cble	1	A	A	19	R1320410	Main Jet	1	A	2L/4P
8	N2320340	E-Ring	1	A	A	19A	G4320100	Main Jet Ni	1	4S	L
9	N2320270	Jet Needle	1	4S	P	19B	G5320480	Main Jet Ni	1	A	2C/4C
9A	G4320120	Jet Needle	1	4S	L/C	19C	R1321590	Main Jet	1	2S	P
9B	G5320690	Jet Needle	1	2S	P	20	K3320320	Needle Valve Assembly	1	A	A
9C	G3320120	Jet Needle	1	2S	C	21	N4320570	Float Assembly	1	A	A
9D	N5320220	Jet Needle	1	2S	L	21A	N4320570	Float Assembly Ni	1	A	A
10	G2320750	Piston Valve	1	A	2L/4P	22	N2320510	Float Pin	1	A	A
10A	G4320090	Piston Valve Ni	1	4S	L/C	23	G2320740	Seal (Ni)	1	A	A
10B	G4320300	Piston Valve Ni	1	4S	LSM	23A	3087110	Seal Carburetor Bowl	1	2S	P
10C	G3320140	Piston Valve	1	2S	P/C	24	G2320730	Float Body Assembly	1	A	A
11	G2320720	Mixing Body Assembly	1	A	A	25	N2320310	Drain Screw	1	A	A
11A	G4320150	Mixing Body Assembly Ni	1	4S	LSM	26	K3320530	Float Body Fixing Screw	3	A	A
12	N2320570	O-Ring Flange	1	A	A	27	K3320540	Hose Drain	1	A	A
13	G4320140	Air Screw	1	4S	A	28	N5320230	Hose air Vent	1	A	A

\*\* A - Common 2 & 4 Stroke models , 2S - Only 2 Stroke, 4S Only 4 Stroke

\* (A - All Variants) (P - Petrol ES) (L - LPG) (C - CNG) (LSM -LPG Single Mode)

# CARBURETOR ASSEMBLY

Figure 11



## CARBURETOR ASSEMBLY

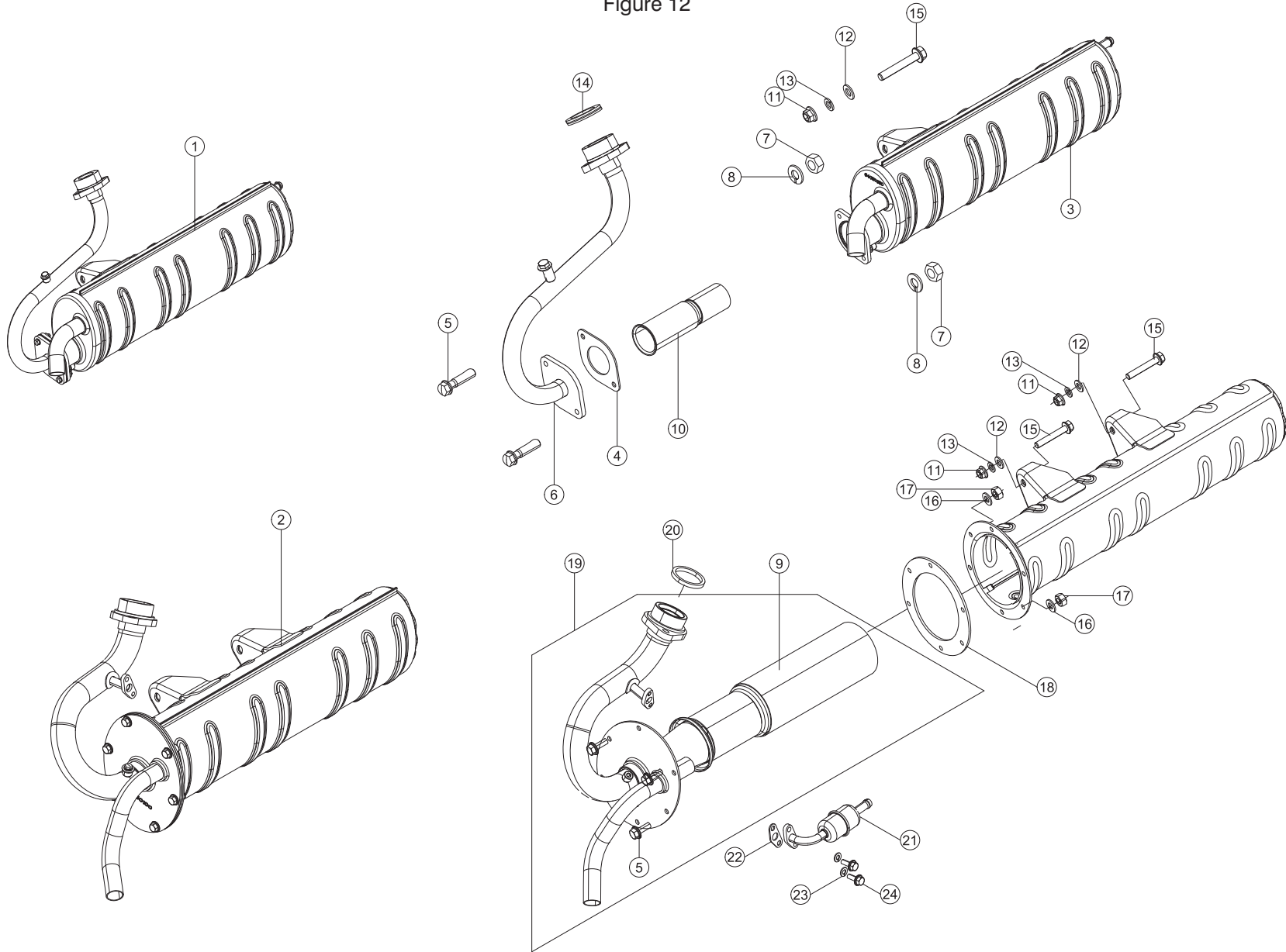
REF NO.	PART NO.	DESCRIPTION	Q/VH	MODEL**	VARIANT*	REF NO.	PART NO.	DESCRIPTION	Q/VH	MODEL	** VARIANT*
29	N5320400	Hose Clip	2	A	A						
30	K3320480	Stud	2	4S	A						
31	N2320420	O Ring Air Screw	1	A	A						
32	K3320500	E washer Air Screw	1	A	A						
33	K3320400	Spring Idling Adjuster Co	1	A	A						
33A	G2320960	Spring Idling Adjuster Co Ni	1	A	A						
34	N2320610	Holder Needle Jet	1	A	A						
35	N2320630	Washer	1	A	A						
36	G4320180	Bottom Cover Single Mode	1	4S	LSM						
37	R1321530	Ring (Shim)	1	A	A						
38	G2020840	Bracket Choke Cable	1	A	A						
39	G2320850	Spring Inside Cap	1	A	A						
40	G2320830	Cap Spring Choke Shaft	1	A	A						
41	G4320170	Carburetor Assy 4S (Ni)	1	4S	LSM						
42	G4040620	Carburetor Assy 4S (Ni)	1	4S	C						
43	G4040310	Carburetor Assy 4S (Ni)	1	4S	L						
44	G4040280	Carburetor Assy 4S (Ni)	1	4S	P						
45	G5040010	Carburetor Assy 2S (Ni)	1	2S	P						
46	G3040020	Carburetor Assy 2S (Ni)	1	2S	C						
47	G4041610	Carburetor Assy 2S (Ni)	1	2S	L						

\*\* A - Common 2 & 4 Stroke models , 2S - Only 2 Stroke, 4S Only 4 Stroke

\* (A - All Variants) (P - Petrol ES) (L - LPG) (C - CNG) (LSM -LPG Single Mode)

# MUFFLER ASSEMBLY

Figure 12



## MUFFLER ASSEMBLY

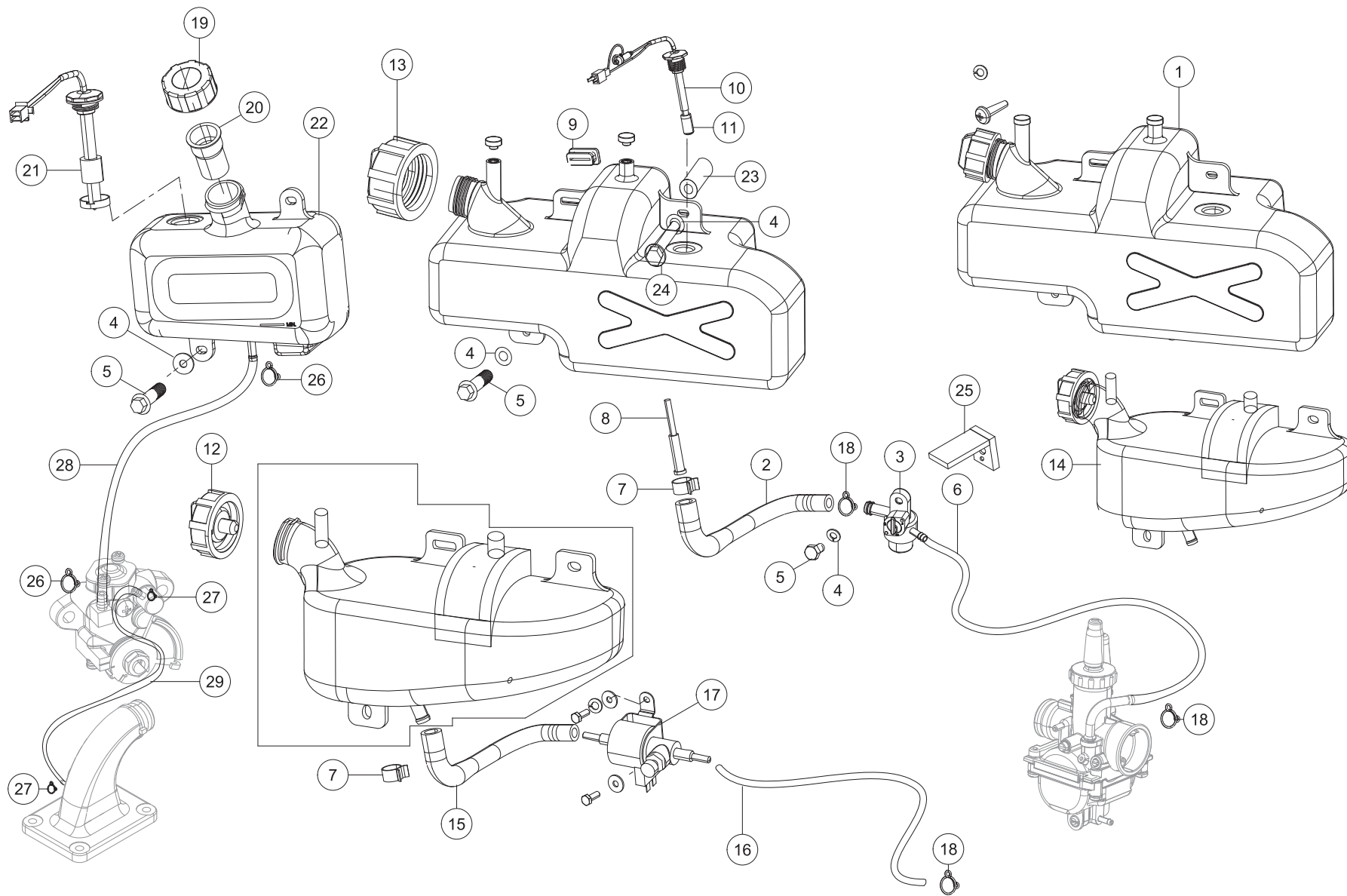
REF NO.	PART NO.	DESCRIPTION	Q/VH	MODEL**	VARIANT*	REF NO.	PART NO.	DESCRIPTION	Q/VH	MODEL	** VARIANT*
1	G4050260	4 S Muffler Comp, Air Cooled (Dom)	1	4S	A	20	3259010	Gasket Exhaust Port	1	2S	A
1A	G4050390	4 S Muffler Comp (Export) (Ni)	1	4S	P/C	21	G5040070	Pipe Comp Say 2S	1	2S	A
2	G5050030	Muffler Sub Assy 2 S CNG Bs Iii	1	2S	C	22	N2041490	Gasket Air Injection 2S All	1	2S	A
2A	G5050020	Muffler Sub Assy 2 S LPG & Petrol Bs Iii (Ni)	1	2S	P/L	23	0330418	Wave Spring Washer M6	2	2S	A
3	G4050010	Body Comp Exhaust		4S	A	24	M1200520	Hex Flange Bolt M6X16	2	2S	A
4	G4050380	Gasket Muffler 4S All	1	4S	A						
5	M1200510	Hex Flange Bolt M6 X 25	8	4S	A						
6	G4050259	Pipe Comp, Air Cooled	1	4S	A						
7	420305700	Hex Nut M6 8	2	4S	A						
8	0330408	Wave Spring Washer M6	2	A	A						
9	G2050289	2 S Catalytic Convertor LPG & Petrol.	1	2S	P/L						
9A	G5050019	2 S Catalytic Convertor CNG Bs 3 -1 (Ni)	1	2S	C						
9B	G3050189	2 S Catalytic Converter CNG Bs 3 2 (Ni)	1	2S	C						
10	G4050369	4S Catalytic Convertor (Dom).	1	4S	A						
10A	G4050319	4S Catalytic Convertor (Exp). (Ni)	1	4S	A						
11	M1200890	U Nut M8X1.2 Muffler Mtg To Chassis	2	A	A						
12	0336018	Punched Washer Muffler Mtg To Chassis	2	A	A						
13	0330318	Wave Spring Washer M8 Muffler Mtg To Chassis	2	A	A						
14	N9053170	Gasket Muffler Exhaust Port 4 S	1	4S	A						
15	M1200840	Hex Flange Bolt M8X50 Muffler Mtg To Chassis	2	A	A						
16	P1200050	Wave Spring Washer Muffler Body Mtg	6	2S	A						
17	P1200060	Hexagonal Nut M6 Muffler Buddy Mtg	6	2S	A						
18	G2051260	Gasket Exhaust Muffler Body 2S	1	2S	A						
19	G2051149	Pipe Complete 2S	1	2S	A						

\*\* A - Common 2 & 4 Stroke models , 2S - Only 2 Stroke, 4S Only 4 Stroke

\* (A - All Variants) (P - Petrol ES) (L - LPG) (C - CNG) (LSM -LPG Single Mode)

# FUEL AND OIL TANK ASSEMBLY

Figure 13



## FUEL AND OIL TANK ASSEMBLY

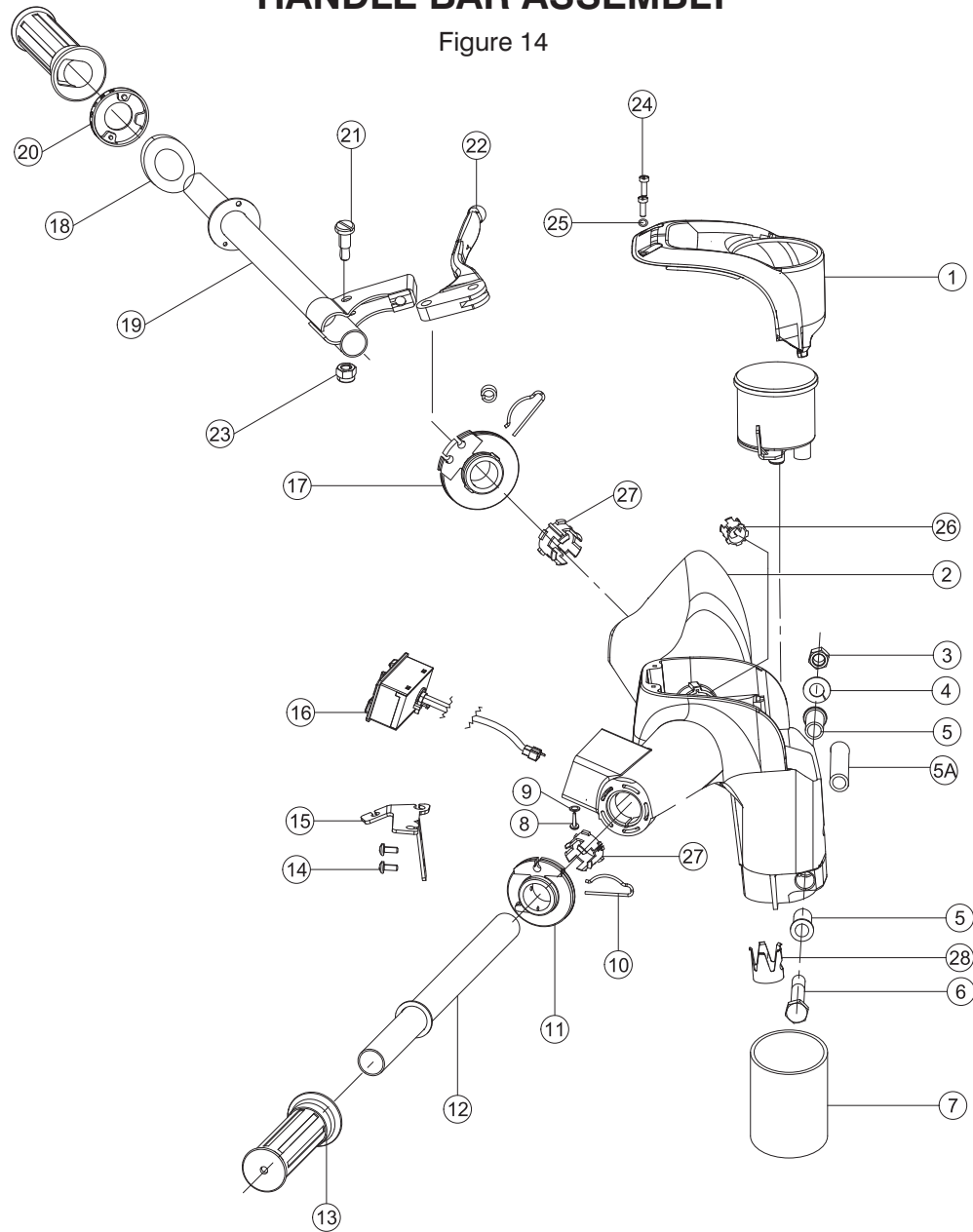
REF NO.	PART NO.	DESCRIPTION	Q/VH	MODEL**	VARIANT*	REF NO.	PART NO.	DESCRIPTION	Q/VH	MODEL	** VARIANT*
1	G5141760	Fuel Tank Assy 8 Ltrs	1	A	p	22	G5140030	Oil Tank W/O Cap	1	2S	A
1A	G5141750	Fuel Tank Assy 3L	1	A	L/C	23	G5140620	Bush, Fuel Tank 8 Ltr	1	A	P
2	G5140070	Hose Fuel Tank Petrol 2S & 4S.	1	A	P	24	R1200180	Hex Flange Bolt M6 X 60 8 ltr Tank Mtg	1	A	P
3	G5140330	Fuel Cock Assy	1	A	P	25	G5140460	Bracket Fuel Tank 8 Ltr Tnk 8 Ltr Tank Mtg	1	A	p
4	G5200300	Punched Washer Fuel Cock Mtg	4	A	P	26	G2320950	Clip Inlet Oil Pump 8.5Mm	2	2S	A
5	M1200510	Hex FI Bolt M6 X 25 Fuel Cock & Oil Tank Mtg	3	A	P	27	G2320940	Clip Outlet Oil Pump 4.8Mm	2	2S	A
6	G5140060	Hose Fuel Cock Out Let 2S&4S	1	A	P	28		Hose Inlet Oil Pump 8.5Mm	1	2S	A
7	K140820	Hose Clip	1	A	A	29		Hose Outlet Oil Pump 4.8Mm	1	2S	A
8	K140460	Filter Fuel tank Outlet	1	A	A						
9	G5140380	Grommet Fuel Tank	1	A	A						
10	G3160130	Switch Assy Fuel Warning 5 Ltr	1	A	P						
10A	G4160290	Switch Assy Fuel Warning 8 Ltr (Ni)	1	A	P						
11	G52320570	Float, Fuel Warning Switch	1	A	A						
12	G5141880	Cap Assy Fuel Tank 5 & 3 Ltr	1	A	P						
13	G5140680	Cap Assy Fuel Tank 8 Ltr	1	A	P						
14	G5140340	Fuel Tank 3 Ltr	1	A	L/C						
15	G5140400	Hose Fuel Tank LPG / CNG	1	A	L/C						
16	G5140410	Hose Solenoid LPG / CNG	1	A	L/C						
17	G4160420	Petrol Solenoid Valve LPG	1	A	L						
17A	G5141040	Petrol Solenoid Valve CNG (Ni)	1	A	C						
18	414147000	Hose Clip FUEL TANK	2	A	A						
19	G5141890	Oil Tank Cap Assy	1	2S	A						
20	3148540	Filter Oil Tank Inlet	1	2S	A						
21	G3160210	Switch Assy Oil Warning	1	2S	A						

\*\* A - Common 2 & 4 Stroke models , 2S - Only 2 Stroke, 4S Only 4 Stroke

\* (A - All Variants) (P - Petrol ES) (L - LPG) (C - CNG) (LSM -LPG Single Mode)

# HANDLE BAR ASSEMBLY

Figure 14





## HANDLE BAR ASSEMBLY

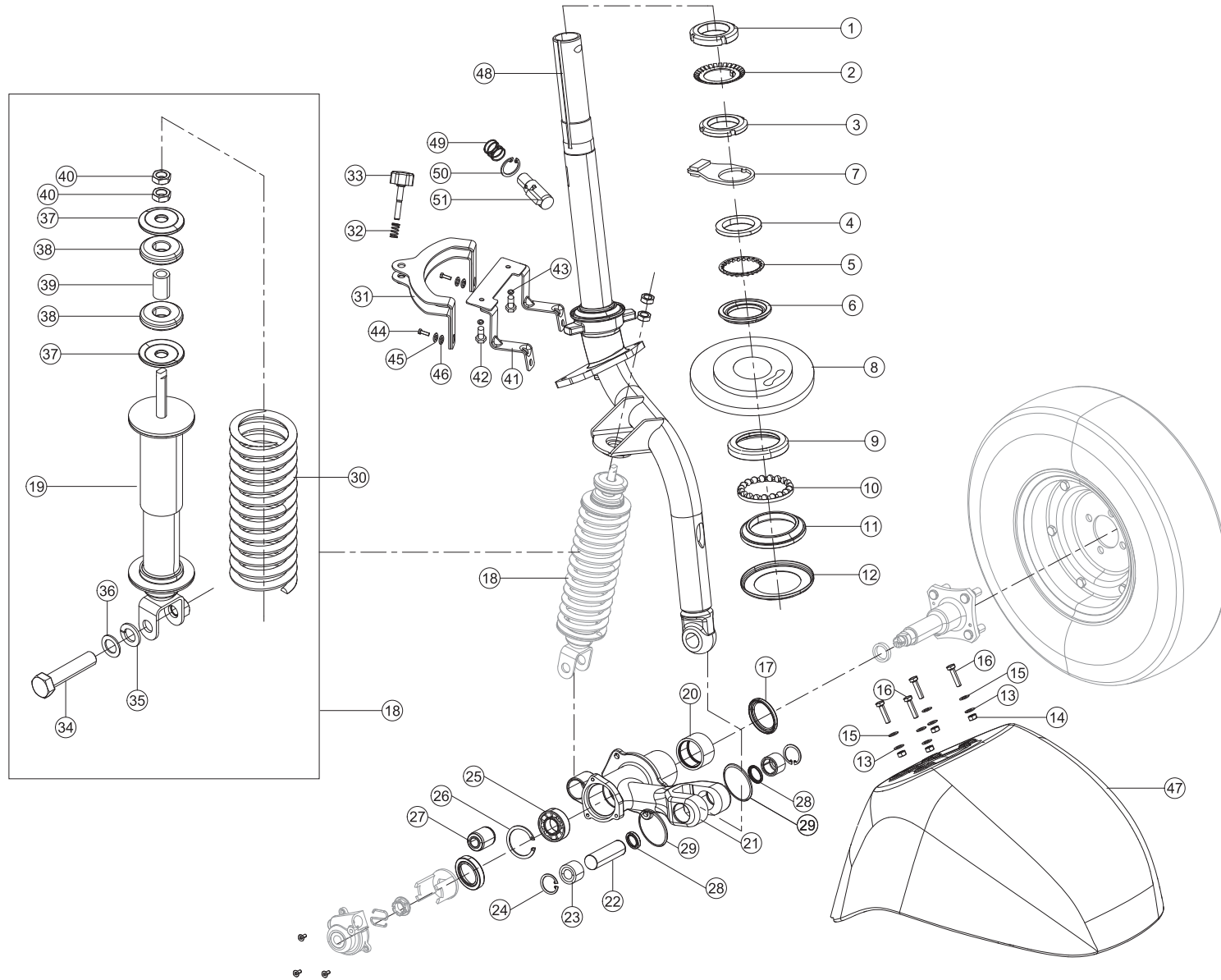
REF NO.	PART NO.	DESCRIPTION	Q/VH	MODEL**	VARIANT*	REF NO.	PART NO.	DESCRIPTION	Q/VH	MODEL**	VARIANT*
1	G5150130	Cover Handle Bar	1	A	A	23	409047000	Nylon Lock Nut M6	1	A	A
2	G5150010	Handle Bar Die Cast 4S	1	4S	A	24	N3200340	Flanged Pan Hd Tap Screw Cover Handlebar Mtg	2	2S	A
2A	G5150470	Handle Bar Complete 2S With Bush & Nut (Ni)	1	2S	A	24A	420957700	Philips Hd Screw M4X15 Cover Handlebar Mtg	2	4S	A
3	G5200410	Hex Nut M10 X 1.5 Handle Bar Mtg	1	A	A	25	0336088	Punched Washer Cover Handlebar Mtg	2	A	A
4	0335678	Punched Washer Handle Bar Mtg	1	A	A	26	G5150390	Bush Bearing(Small),Handle Bar	2	2S	A
5	G5150350	Bush, Cross Bolt Handle Bar Mtg 2S	2	2S	A	27	G5150400	Bush Bearing(Big), Handle Bar	2	2S	A
5A	G4150040	Bush, Cross Bolt Handle Bar Mtg 4S	1	4S	A	28	G5150420	Friction Plate Crown Handle Bar Mtg 2S	1	2S	A
6	G2200060	Hex Bolt M10X80 Handle Bar Mtg	1	A	A						
7	G5150530	Sleeve Steering Column	1	A	A						
8	0331708	CRPH Scr M5X12 6.8 Handle Bar Switch Mtg	1	A	A						
9	G5200340	Punched Washer Handle Bar Switch Mtg	1	A	A						
10	G5150230	Clip Lock Pulley	2	A	A						
11	G5150240	Pulley Throttle	1	A	A						
12	G5150160	Tube Comp Throttle	1	A	A						
13	P150330	Grip LH & RH	2	A	A						
14	N8200080	Crr Pan Head Screw M5X10 Brckt Cable Guide	2	A	A						
15	G5150250	Bracket Comp Cable Guide	1	A	A						
16	G5160030	Switch Assy Handle Bar	1	A	A						
17	G5150210	Pulley Gear Shift	1	A	A						
18	G4150060	Spacer Tube Gear Shift	1	A	A						
19	G4150080	Tube Gear Shift Comp	1	A	A						
20	G5150090	Indicator Gearshift	1	A	A						
21	G3150250	Special Bolt M5 Clutch Lever Mtg	1	A	A						
22	G5150570	Lever Assy Clutch New	1	A	A						

\*\* A - Common 2 & 4 Stroke models , 2S - Only 2 Stroke, 4S Only 4 Stroke

\* (A - All Variants) (P - Petrol ES) (L - LPG) (C - CNG) (LSM -LPG Single Mode)

# FRONT FORK ASSEMBLY

Figure 15



## FRONT FORK ASSEMBLY

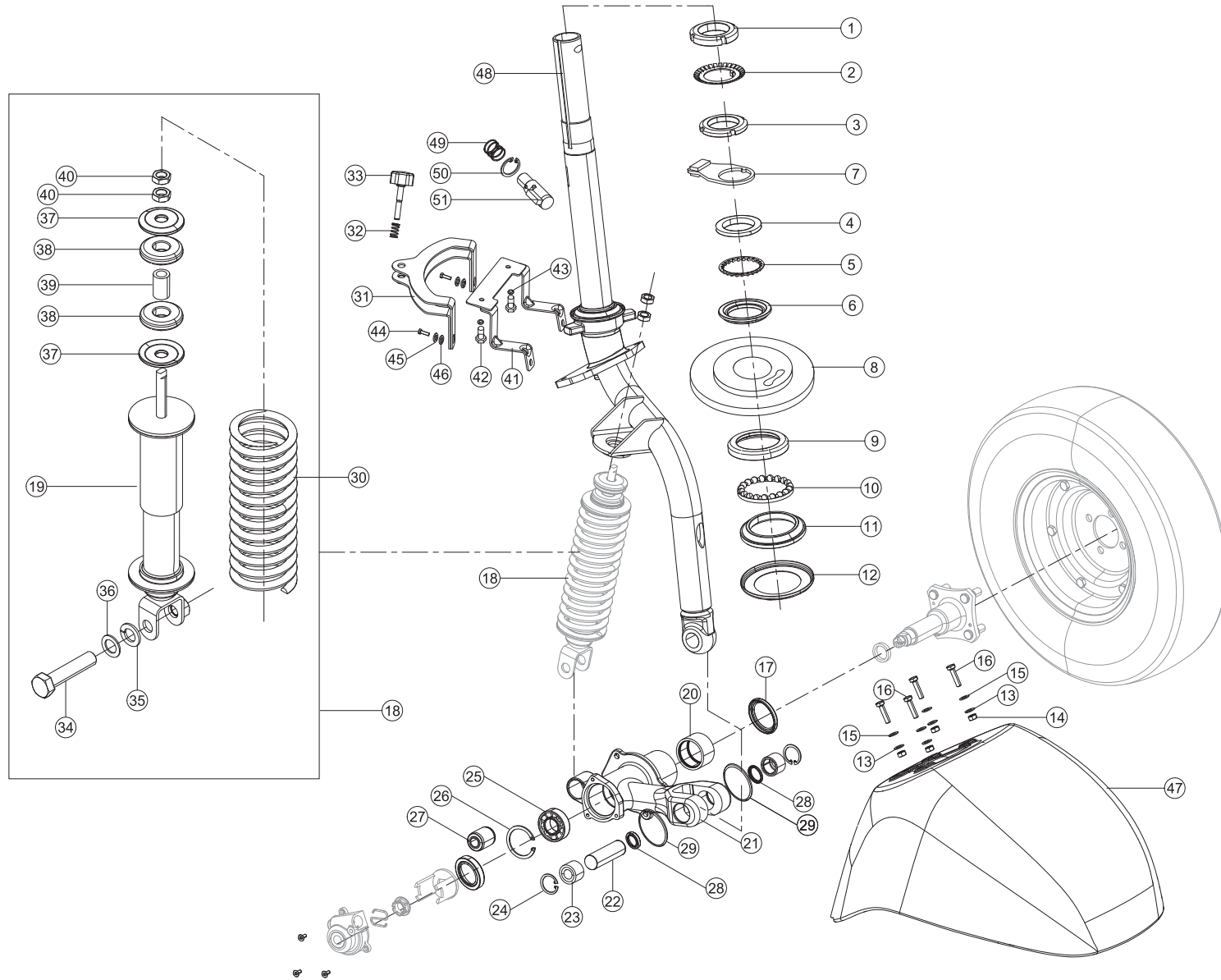
REF NO.	PART NO.	DESCRIPTION	Q/VH	MODEL**	VARIANT*	REF NO.	PART NO.	DESCRIPTION	Q/VH	MODEL**	VARIANT*
1	G5150290	Lock Nut M38X1.5 10mm	1	A	A	24	G2200660	Internal Circlip	2	A	A
2	G5150300	Lock Washer 38.5 Dia	1	A	A	25	G2200440	Ball Bearing 20X42X12	1	A	A
3	G2200250	Lock Nut M38X1.5 7mm	1	A	A	26	K200060	Circlip 42X1.75 N	1	A	A
4	G2150630	Outer Race Top	1	A	A	27	G2100200	Silent Block Trailing Arm Front	1	A	A
5	G2150120	Cage Assy Top	1	A	A	28	G5100030	Dust Seal Pivot Pin Front	2	A	A
6	G2150030	Bearing Race Inner Top	1	A	A	29	G5100010	O Ring Steering Column Mtg	2	A	A
7	G3150310	Friction Plate Assy	1	A	A	30	G2320340	Main Spring, Front Shock Absorber Assy	1	A	a
8	G5230500	Cover Steering Column	1	A	A	31	G3150280	Damper Bracket Assy Steering Column	1	A	A
8A	G5230510	Cover Steering Column (Field Vehicles)	1	A	A	32	G3150400	Adjustor Spring Damper Assy	1	A	A
9	G2150620	Outer Race Bottom	1	A	A	33	G3150390	Adjustor Bolt Damper Assy	1	A	A
10	G2150110	Ball Race Assy Lower	1	A	A	34	G2200170	Hex Bolt M12X1.75X55 Shock Absorber Mtg	1	A	A
11	G2150080	Inner Race Bottom	1	A	A	35	A200190	Wave Spring Washer Shock Absorber	1	A	A
12	G2150070	Dust Cover Inner	1	A	A	36	420015700	Punched Washer Shock Absorber	1	A	A
13	P1200050	Wave Spring Washer M6 Front Fender	4	A	A	37	G2320380	Retainer Washer, Frt Shock Absorber Ass	2	A	A
14	P1200060	Hex Nut M6 Zng Front Fender	4	A	A	38	G2320390	Rubber Bush, Frt Shock Absorber Assy	2	A	A
15	G5200170	Plain Washer Front Fender Front Fender	4	A	A	39	G2320370	Spacer Nut, Frt Shock Absorber Assy	1	A	A
16	G5200390	Hex Screw M6 X 30 Front Fender	4	A	A	40	G2320400	Hex.Nut, Frt Shock Absorber Assy	1	A	A
17	G5200560	Dust Seal Needle Bearing Trailing Arm Frnt	1	A	A	41	G5230280	Reinf Comp Dashboard	1	A	A
18	G2100010	Shock Absorber Assy Fr	1	A	A	42	G5200290	Hex Screw M5X 20 Rnf Dash Board	2	A	A
19	G2320540	Shock Absorber Front W/O Spring	1	A	A	43	G5200340	Punched Washer 5.5 X 12 X 1 Rnf Dash Board	2	A	A
20	G2200680	Needle Bearing 35 X 43 X 24 Trailing Arm Front	1	A	A	44	420462700	Hex Screw M6 Rnf Brckt	2	A	A
21	G2100210	Trailing Arm Front	1	A	A	45	P1200050	Wave Spring Washer M6 Zng	2	A	A
22	G2100170	Pivot Pin Front	1	A	A	46	P1200100	Plain Washer Rnf Dash Board	2	A	A
23	G2200570	Needle Bearing 20X26X12	2	A	A	47	G52206903D	Fender Fr Black	1	A	A

\*\* A - Common 2 & 4 Stroke models , 2S - Only 2 Stroke, 4S Only 4 Stroke

\* (A - All Variants) (P - Petrol ES) (L - LPG) (C - CNG) (LSM -LPG Single Mode)

# FRONT FORK ASSEMBLY

Figure 15



# FRONT FORK ASSEMBLY

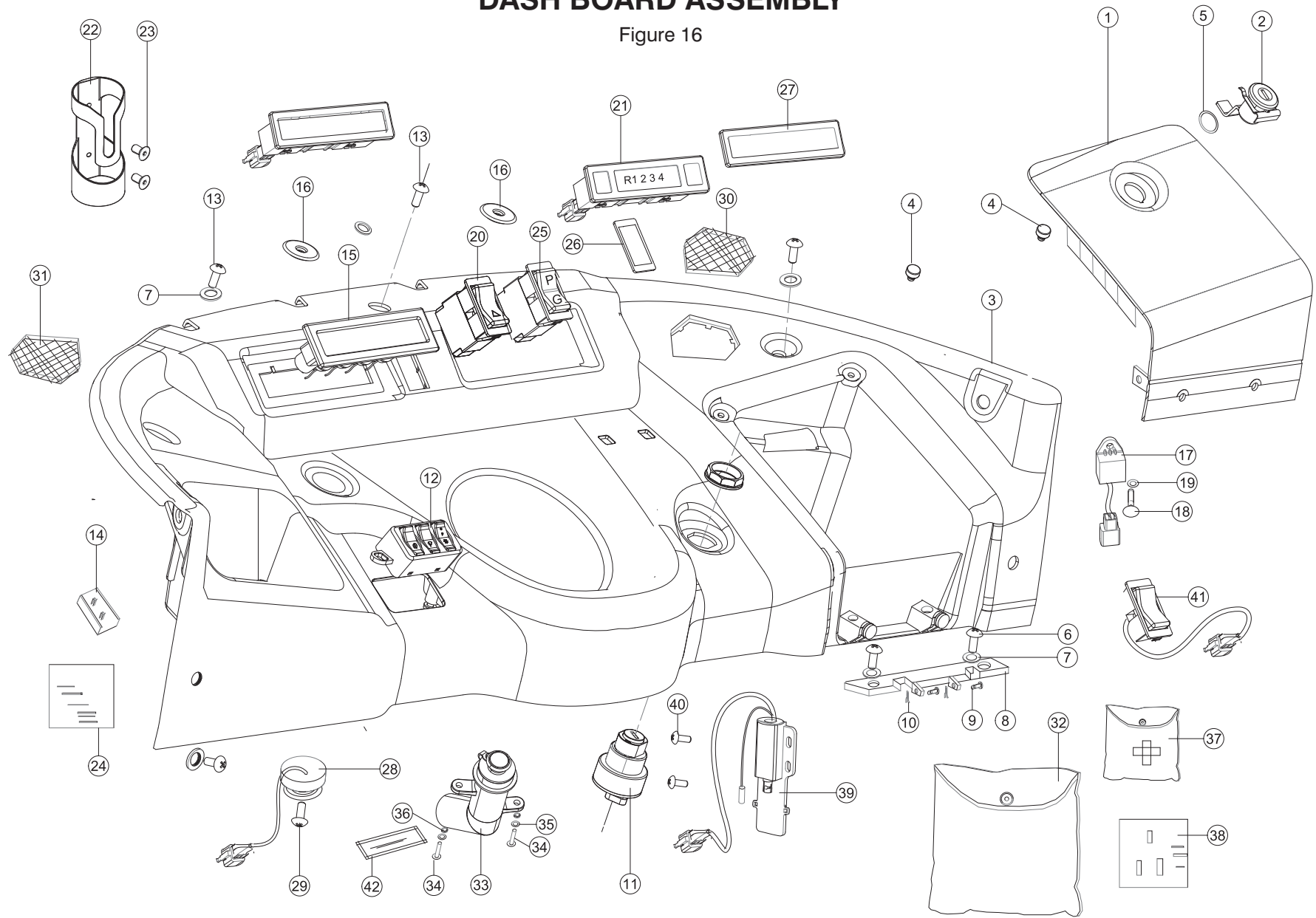
REF NO.	PART NO.	DESCRIPTION	Q/VH	MODEL**	VARIANT*	REF NO.	PART NO.	DESCRIPTION	Q/VH	MODEL**	VARIANT*
48	G2150010	Steering Column	1	A	A						
49	G3120970	Spring Handle Bar Lock	1	A	A						
50	G3200030	Circlip 12X1N	1	A	A						
51	G5320400	Lock Assy Handle Bar New	1	A	A						
51A	G3120900	Lock Assy Handle Bar Old (Ni)	1	A	A						

\*\* A - Common 2 & 4 Stroke models , 2S - Only 2 Stroke, 4S Only 4 Stroke

\* (A - All Variants) (P - Petrol ES) (L - LPG) (C - CNG) (LSM -LPG Single Mode)

# DASH BOARD ASSEMBLY

Figure 16



## DASH BOARD ASSEMBLY

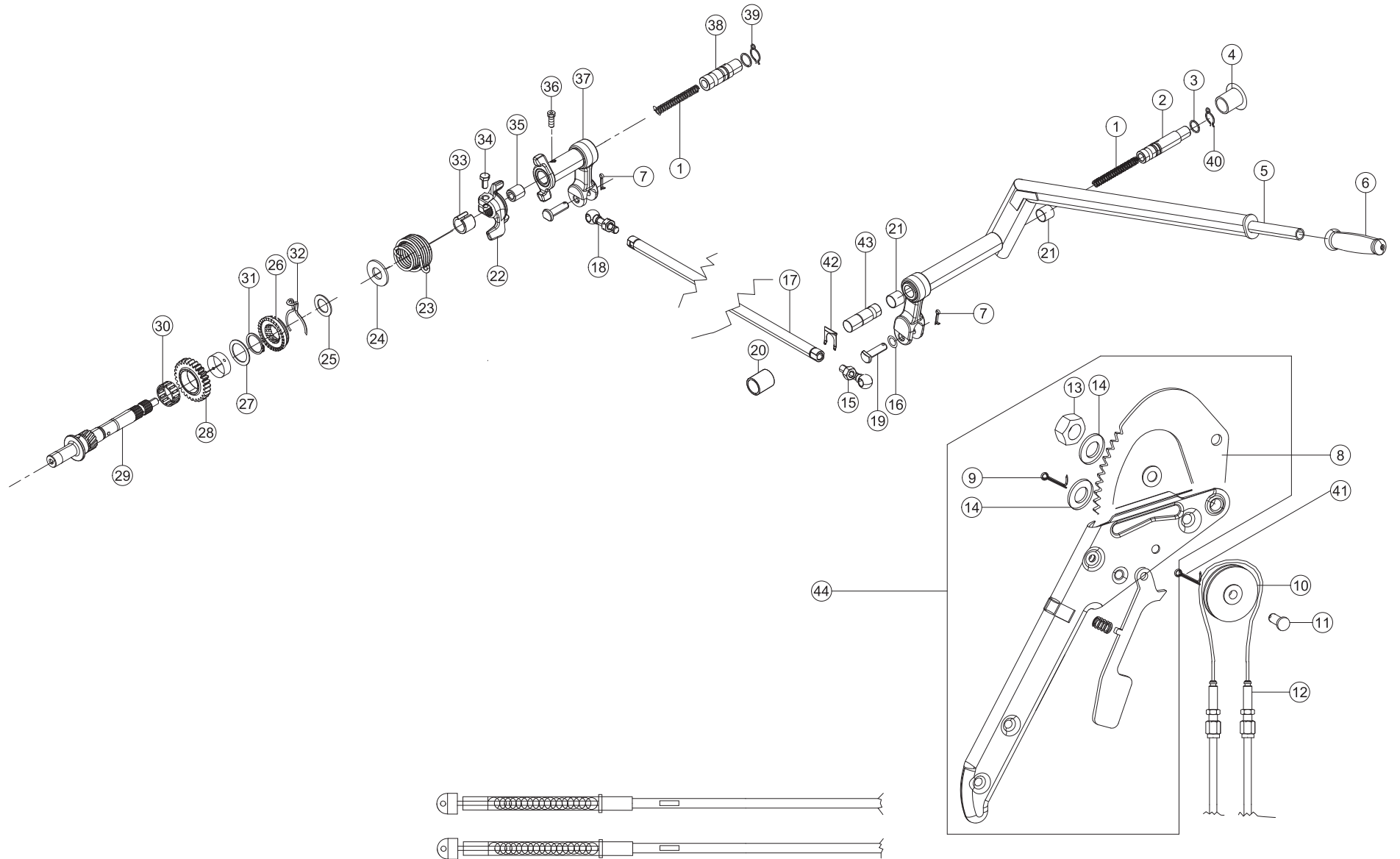
REF NO.	PART NO.	DESCRIPTION	Q/VH	MODEL**	VARIANT*	REF NO.	PART NO.	DESCRIPTION	Q/VH	MODEL	** VARIANT*
1	G5230140	Lid Dashboard	1	A	A	22	G5300040	Holder Magazine	1	A	A
2	G5320410	Lock Assy Lid Dashboard	1	A	A	23	G5200360	Crr Screw M5 X 20 Holder Magazine Mtg	2	A	A
3	G5230150	Dashboard	1	A	A	24	G5210310	Operation Sticker	1	2S	A
4	G5230190	Cushion Lid	2	A	A	25	G3160550	Changeover Switch Petrol / Gas	1	4S	C
5	G5121830	O-Ring 1.8X15 Lid Dash Board Lock Mtg	1	A	A	26	G5230300	Dummy Plug Gas Change Over Switch	2	A	P/LSM
6	G5200350	Crr Pan Head Screw M5 X 16 Lid Mtg	2	A	A	27	G5230290	Dummy Plug Gas Indicator	1	A	P
7	G5200300	Punched Washer 5.5 X 12 X 1 Lid Mtg & Dash Mtg	6	A	AA	28	G5160450	3W Electronic Beeper	1	A	A
8	G5230330	Hinge Plate Lid	1	A	A	29	K200300	Crr Pan Hd Tap Scr St3.5X16 Beeper Mtg	1	A	A
9	G5230320	Pin Hinge	2	A	A	30	G5230380	Speaker Grill Rh	1	A	A
10	0331580	Split Pin	2	A	A	31	G5230370	Speaker Grill Lh	1	A	A
11	G5320370	Lock Assy Ignition	1	A	A	32	G4210110	Tool Kit 4S	1	4S	A
12	G5160010	Switch Assy Dash Board	1	A	A	32A	G5300010	Tool Kit 2S (Ni)	1	2S	A
13	0332275	Screw - Crph M6X16 6.8 Dash Board Mtg	6	A	A	33	G5161110	Socket Mobile Charger	1	A	A
14	G4160250	Connector Mode Selection	1	4S	SML	34	G5200350	Crr Pan Head Screw M5 X 16 Mob charger	2	A	A
15	G5160210	Tell Tale Lamp Cluster - Petrol	1	A	P	35	G5200340	Punched Washer 5.5 X 12 X 1 Mob charger	2	A	A
15A	G3160610	Tell Tale Lamp Cluster LPG/CNG (Ni)	1	A	L/C/LSM	36	0330308	Wave Spring Washer M5 Mob charger	2	A	A
16	G5230180	Grommet Dashboard	2	A	A	37	N3210750	First Aid Kit	1	A	A
17	G2160450	Electronic Flasher Unit	1	A	A	38	G5210330	Sticker Tyre Rotation	1	A	A
18	G5200350	Crr Pan Head Screw M5 X 16 Flasher Mtg	1	A	A	39	N4160180	Throttle Potentio Meter	1	4S	A
19	G5200340	Punched Washer 5.5 X 12 X 1 Flasher Mtg	1	A	A	40	8200120	Crph Tapping Screw M5*12 Tps Mtg	2	4S	A
20	G5160140	Hazard Warning Switch	1	A	A	41	G3160680	LPG Choke Switch-Self Return Type	1	2S	L
21	G5160790	Gas Level Indicator LPG/CNG 2S & 4S.	1	A	A	42	G5210350	Sticker Electric Start	1	A	A
21A	G5160270	Level Indicator CNG Old (Ni)	1	2S	C						
21B	G3160560	Level Indicator LPG Old (Ni)	1	2S	L						

\*\* A - Common 2 & 4 Stroke models , 2S - Only 2 Stroke, 4S Only 4 Stroke

\* (A - All Variants) (P - Petrol ES) (L - LPG) (C - CNG) (LSM -LPG Single Mode)

# HAND STARTER & PARKING BRAKE MECHANISM

Figure 17





## HAND STARTER & PARKING BRAKE MECHANISM

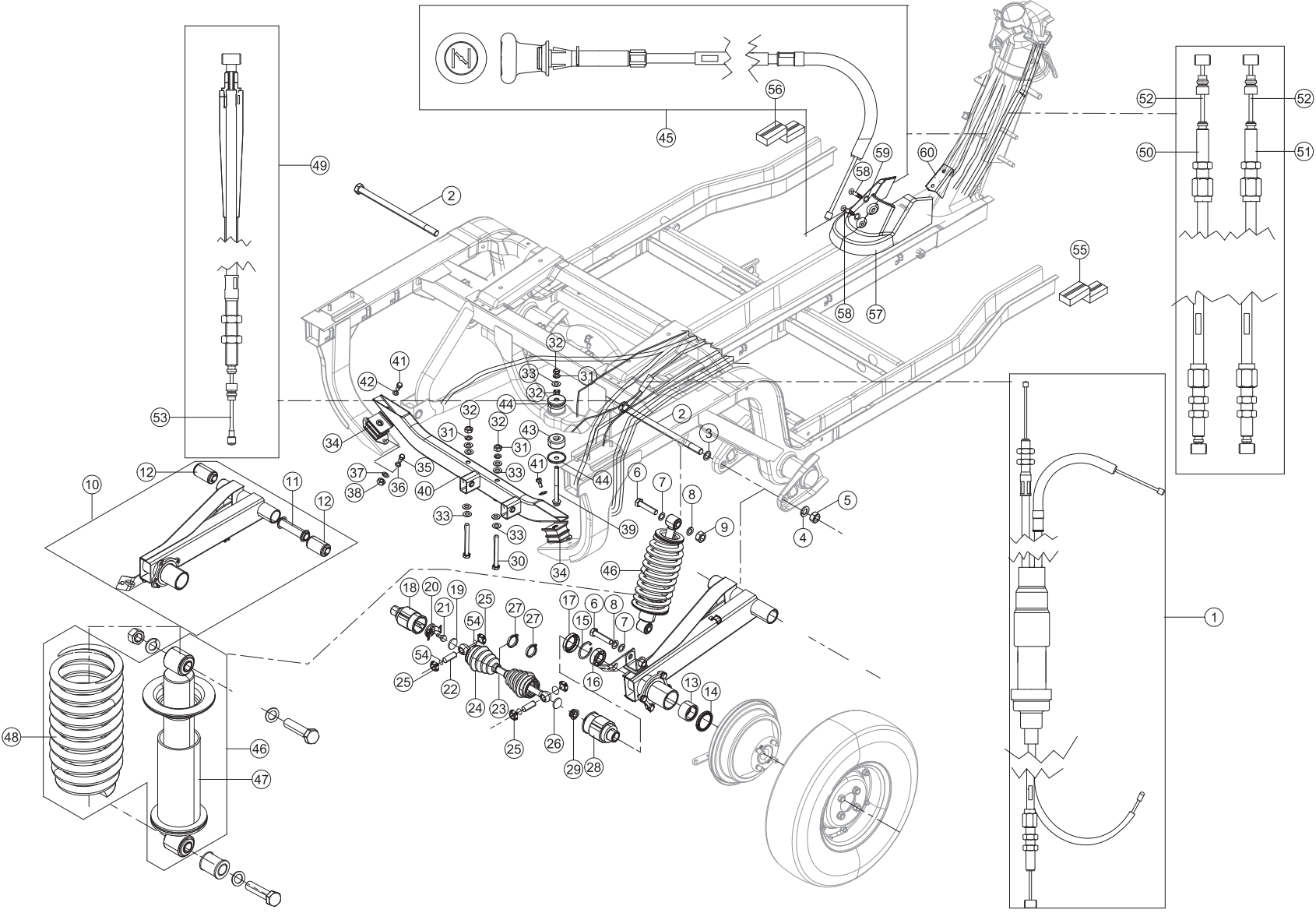
REF NO.	PART NO.	DESCRIPTION	Q/VH	MODEL**	VARIANT*	REF NO.	PART NO.	DESCRIPTION	Q/VH	MODEL	** VARIANT*
1	G5121640	Spring H/S Pin Frnt & Rear	2	A	A	25	G2200530	Shim 20X32X1.5	1	A	A
2	G5121660	Support LH Front H/S	1	A	A	26	G2082210	Ratchet Hand Start	1	A	A
3	G5121830	O-Ring 1.8X15	2	A	A	27	G2200970	Shim 28X38X1.0	1	A	A
4	G5124040	Hand Starter Bush Front Lh Black	1	A	A	28	G2082200	Gear Hand Start	1	A	A
5	G5120840	Hand Lever Comp	1	A	A	29	G2082190	Shaft Hand Start	1	A	A
6	G5121680	Grip Hand start	1	A	A	30	G2201100	Needle Cage 28X33X13	1	A	A
7	0330028	Split Pin 3.2X25	1	A	A	31	G2200980	Circlip	1	A	A
8	G2110770	Ratchet Parking Brake	1	A	A	32	G2082220	Spring Ratchet Hand start	1	A	A
9	0330038	Split Pin Ratchet	2	A	A	33	G2082230	Spacer Hand start	1	A	A
10	G2110790	Pulley Parking Brake	1	A	A	34	0331268	Hex Bolt M8X1.25X25 Mtg Dog Driven	1	A	A
11	G2110940	Pin Parking Brake	1	A	A	35	G5121630	Isolator H/S	1	A	A
12	G5170070	Parking Brake Cable Assy	1	A	A	36	G5121850	Grease Nipple M6	1	A	A
13	0334548	Hex Nut M8 8Levr Parking Brake Mtg	1	A	A	37	G5120990	Shaft Comp Rear, H/S	1	A	A
14	G5200400	Punched Washer Parking Brake Mtg	2	A	A	38	G5121650	Support Shaft H/S	1	A	A
15	G5120970	Eye Bolt Rh With Nut	1	A	A	39	G5121700	Spring Clip Rear H/S	1	A	A
16	G5230440	Washer, Hand Start	4	A	A	40	G5121710	Spring Clip Front H/S	1	A	A
17	G5120920	Washer, Hand Start	1	A	A	41	0330048	Split Pin Pulley	1	A	A
18	G5120980	Eye Bolt LH With Nut	1	A	A	42	G5123160	Spring Clip H/S Front	1	A	A
19	G2201030	Pin	2	A	A	43	G5121670	Support Rh Front H/S	1	A	A
20	G5124050	Hand Starter Bush Front Rh Red Small	1	A	A	44	G2110750	Assy Parking Brake Control Lever	1	A	A
21	G5122710	Sleeve Bearing Hand Starter Rear Red Big	3	A	A						
22	G2081800	Dog Driven	1	A	A						
23	G2082260	Spring Hand start	1	A	A						
24	G2200990	Punched Washer 18X39X3	1	A	A						

\*\* A - Common 2 & 4 Stroke models , 2S - Only 2 Stroke, 4S Only 4 Stroke

\* (A - All Variants) (P - Petrol ES) (L - LPG) (C - CNG) (LSM -LPG Single Mode)

# TRANSMISSION & CONTROLS UNITS

Figure 18



## TRANSMISSION & CONTROLS UNITS

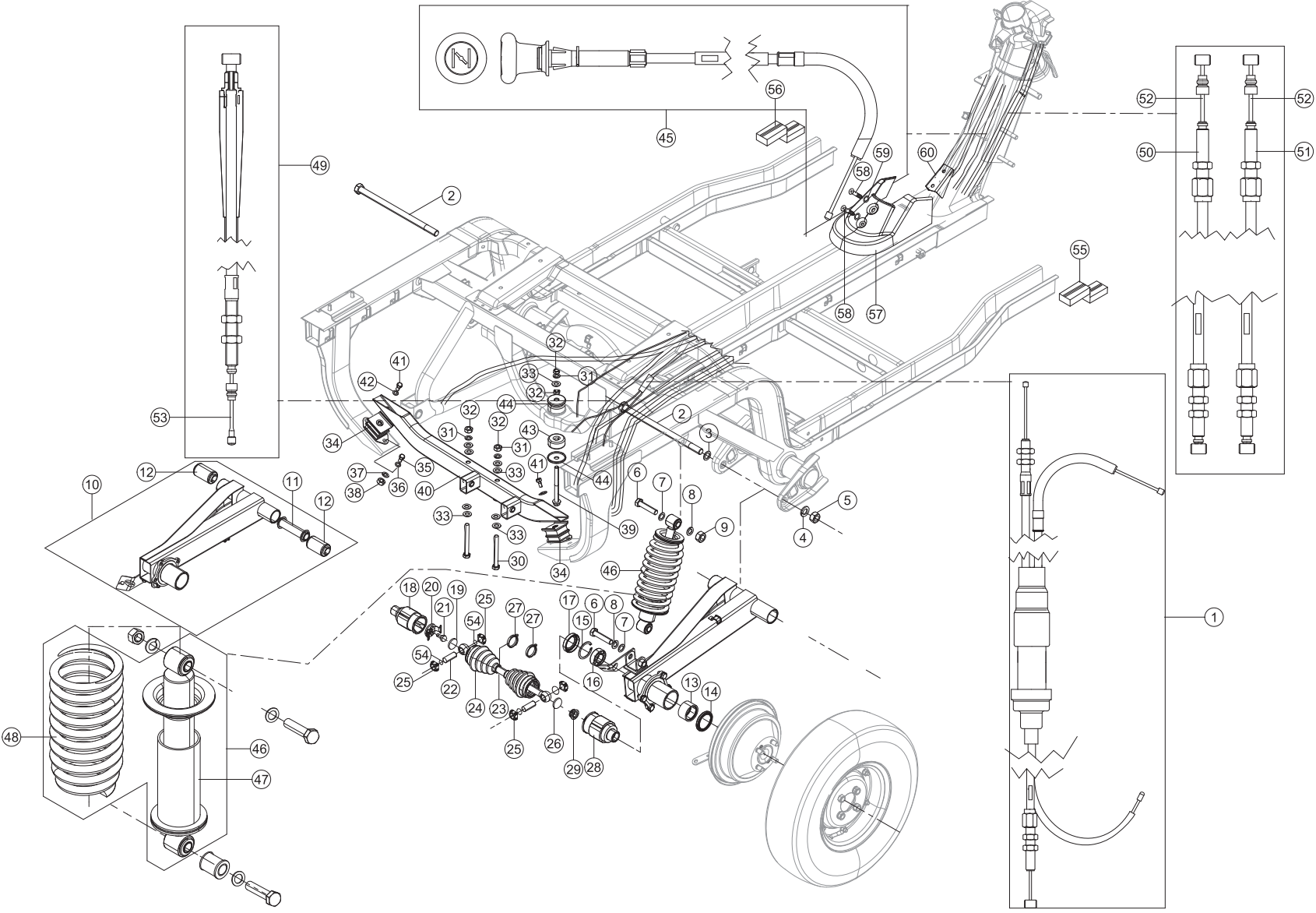
REF NO.	PART NO.	DESCRIPTION	Q/VH	MODEL**	VARIANT*	REF NO.	PART NO.	DESCRIPTION	Q/VH	MODEL	** VARIANT*
1	G4170020	Throttle Cable Assy -4S	1	4S	A	22	G2080030	Pin Propeller Shaft	4	A	A
1A	G5170010	Throttle Cable Assy -2S (Ni)	1	2S	A	23	G2080020	Propeller Shaft	2	A	A
2	G2200160	Trailing Arm Bolt M14X245	2	A	A	23A	G2080010	Propeller Shaft With Pin (Ni)	2	A	A
3	0335698	Punched Washer 14.5X22 Trailing Arm Mtg	2	A	A	24	G2081920	Bellow Propeller Shaft	4	A	A
4	G2200210	Spring Washer M14	2	A	A	25	G2080040	Slider Block	8	A	A
5	G2200220	Hex Nut M14X2	2	A	A	26	G5080320	Buffer Wheel side Propeller Shaft	2	A	A
6	G2200170	Hex Bolt M12X1.75X55 Shock Absorber Mtg	4	A	A	27	G5080300	Clip Bellow Small End	4	A	A
7	420015700	Punched Washer Shock Absorber Mtg	4	A	A	28	G2080080	Muff Cup Flange (Wheel Side)	2	A	A
8	A200190	Wave Spring Washer M12 Shock Absorber Mtg	4	A	A	29	G5200180	Hex Fl U Nut M14 Muff Cup Wheel Side Mtg	2	A	A
9	G2200470	Hex Nut M12X1.75 Shock Absorber Mtg Top	2	A	A	30	0331298	Bolt Rear Engine Mtg	2	A	A
10	G2090330	Trailing Arm Comp Rear LH	1	A	A	31	0330328	Wave Spring Washer M10 Rr & Fr Engine Mtg	2	A	A
10A	G2090320	Trailing Arm Assy Rear RH (Ni)	1	A	A	32	P1200240	Hex Nut M10 8 Zng Rear & front Engine Mtg	2	A	A
11	G5090010	Spacer Assy	2	A	A	33	420008700	Punched Washer Rear Engine Mtg	8	A	A
12	G2090060	Silent Block, Trailing Arm Rear	4	A	A	34	G2030230	Resilient Mounting	2	A	A
13	G2200680	Needle Bearing 35 X 43 X 2 Trailing Arm	2	A	A	35	R1200310	Hex Flange Screw M8X20 Resilient Mtg	4	A	A
14	G5200560	Dust Seal Needle Bearing	2	A	A	36	G5200400	Punched Washer 8.5 X 20 X 2 Resilient Mtg	4	A	A
14A	G5200570	Dust Seal Needle Bearing Field Updation (Ni)	1	A	A	37	G5110210	Wave Spring Washer M8 Zng Resilient Mtg	6	A	A
15	K200060	Circlip 42X1.75 N Is:3075 Int	2	A	A	38	G5200330	Hex Nut M8 Resilient Mtg	4	A	A
16	G2200440	Ball Bearing 20X42X12	2	A	A	39	G2200810	Hex Fl Bolt M10X1.25 Front Eng Mtg	1	A	A
17	G5200550	Dust Seal Ball Bearing	1	A	A	40	G5122450	Cross member Engine Mtg	1	A	A
18	G2081250	Muff Cup Engine	2	A	A	41	420477700	Hex Screw M8x16 8.8 Cross Member Mtg	2	A	A
19	G2080050	Buffer Engine Side Propeller Shaft	2	A	A	42	G5200400	Punched washer Cross Member Mtg	2	A	A
20	G2080540	Lock Plate Comp Muff Cup Eng Mtg	2	A	A	43	G2180260	Damper Engine Mtg Front	2	A	A
21	420454700	Hex Screw M8X20 Muff Cup Eng Mtg	2	A	A	44	G2180270	Cup Engine Mtg Damper	2	A	A

\*\* A - Common 2 & 4 Stroke models , 2S - Only 2 Stroke, 4S Only 4 Stroke

\* (A - All Variants) (P - Petrol ES) (L - LPG) (C - CNG) (LSM -LPG Single Mode)

# TRANSMISSION & CONTROLS UNITS

Figure 18



## TRANSMISSION & CONTROLS UNITS

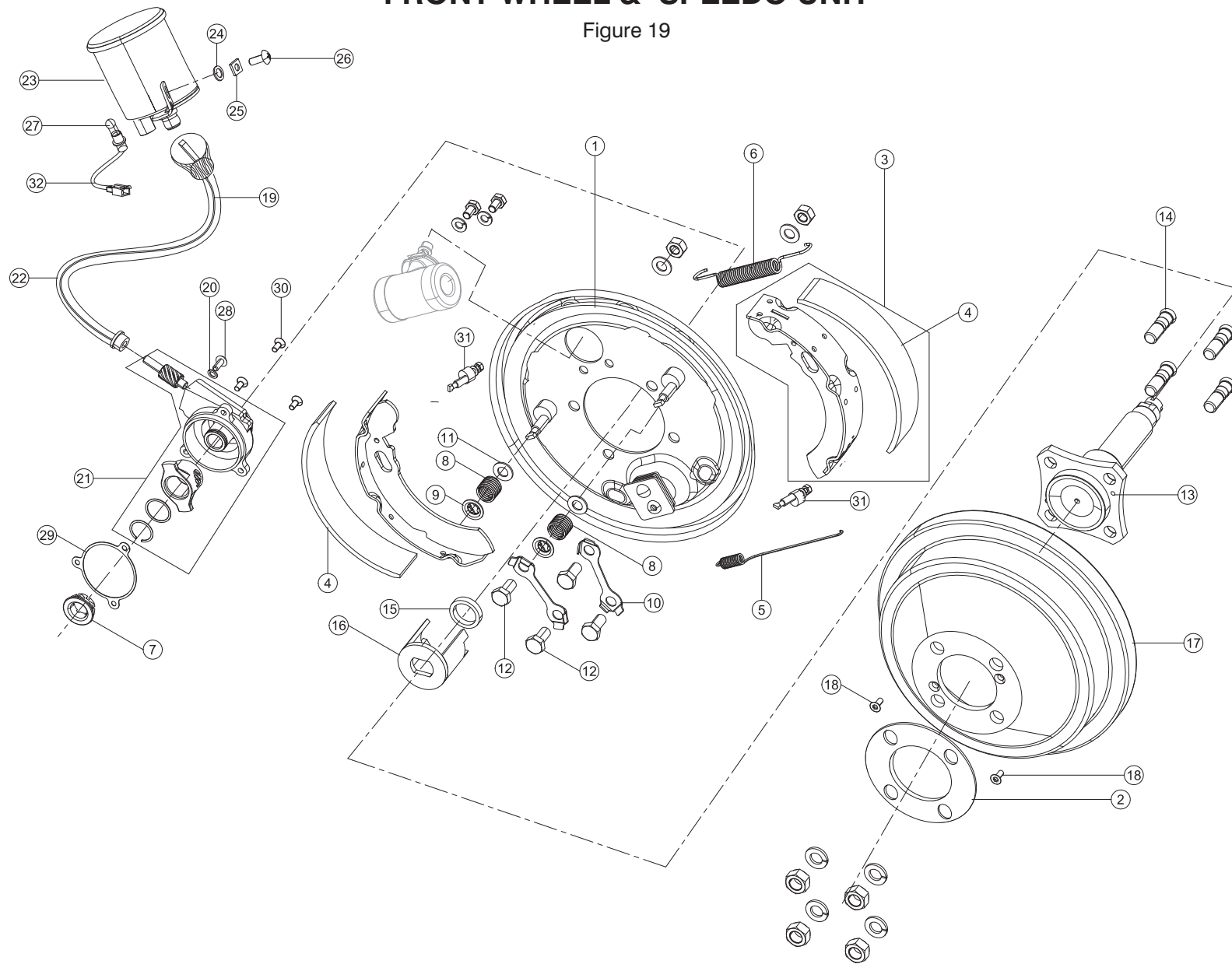
REF NO.	PART NO.	DESCRIPTION	Q/VH	MODEL**	VARIANT*	REF NO.	PART NO.	DESCRIPTION	Q/VH	MODEL	** VARIANT*
45	G5170050	Cable Assy Choke 2S Petrol Old	1	2S	P						
45A	G4170010	Choke Cable Assy 2S & 4S New (Ni)	1	A	A						
46	G2090100	Shock Absorber Assy Rear	2	A	A						
47	G2320430	Rear Shock Absorber W/O Spring	2	A	A						
48	G2320440	Main Spring, Rear Shock Absorber Assy	2	A	A						
49	G5170020	Cable Assy Clutch	1	A	A						
50	G5170030	Cable Assy Black Gearshift	1	A	A						
51	G5170040	Cable Assy White Gearshift	1	A	A						
52	G5320170	Cable Inner Gear Shift (With Pinch Bolt)	2	A	A						
53	G5320150	Cable Inner Clutch	1	A	A						
54	407113000	Shim 15. X 21 X 0.5 Slider Block	1	A	A						
54A	G5200530	Shim 15. X 21 X 0.4 Slider Block (NI)	1	A	A						
54B	G5200540	Shim 15. X 21 X 0.3 Slider Block (NI)	1	A	A						
55	G5124199	Gusset Frame Front R	1	A	A						
56	G5124189	Gusset Frame Front L	1	A	A						
57	G5230590	Head Tube Cover	1	A	A						
58	0332068	Crr Pan Head Screw M6X12	2	A	A						
59	0335578	Punched Washer 6.5X13X1	2	A	A						
60	G5124029	Brkt, Head tube Cover	1	A	A						

\*\* A - Common 2 & 4 Stroke models , 2S - Only 2 Stroke, 4S Only 4 Stroke

\* (A - All Variants) (P - Petrol ES) (L - LPG) (C - CNG) (LSM -LPG Single Mode)

# FRONT WHEEL & SPEEDO UNIT

Figure 19



## FRONT WHEEL & SPEEDO UNIT

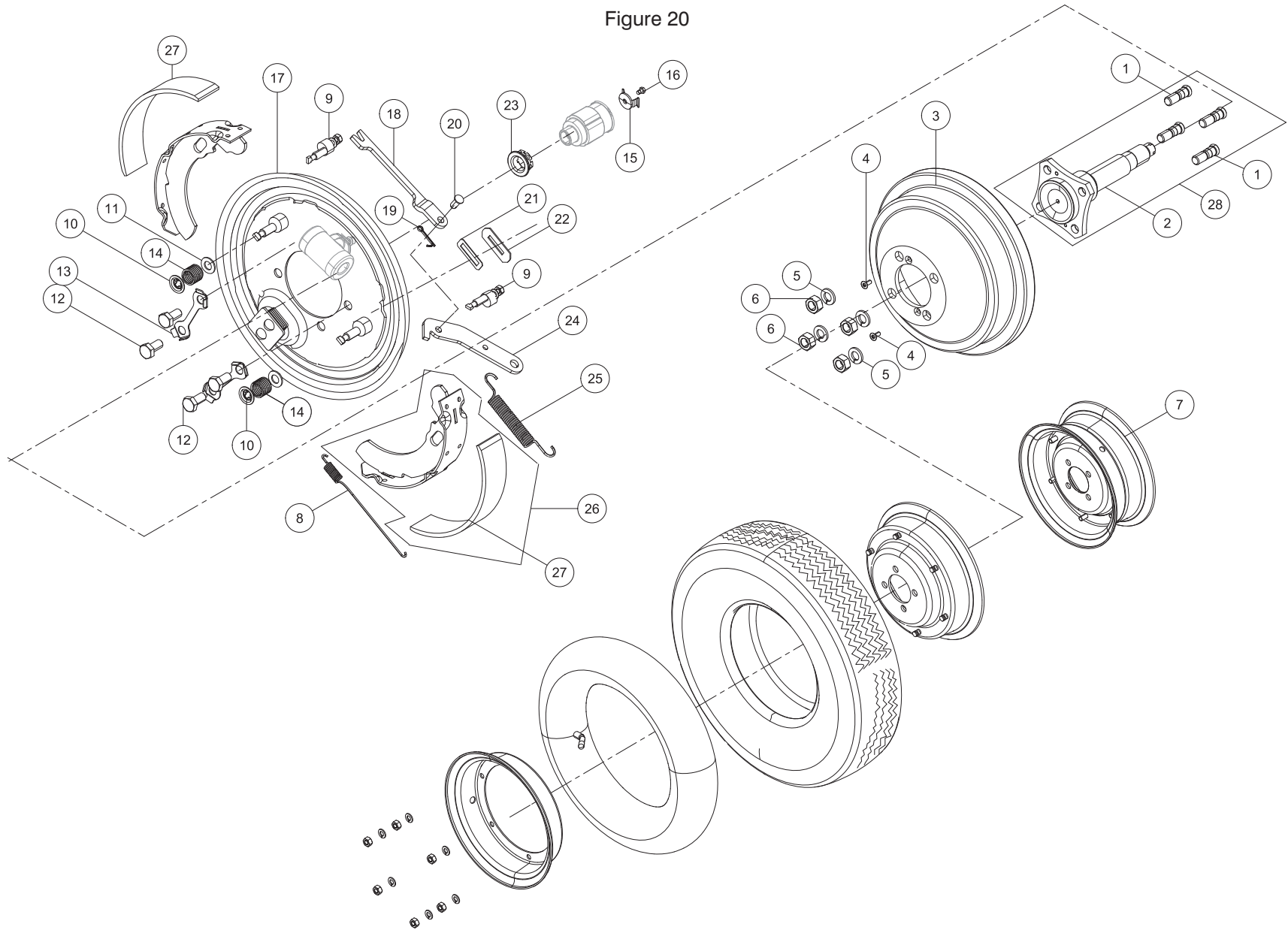
REF NO.	PART NO.	DESCRIPTION	Q/VH	MODEL**	VARIANT*	REF NO.	PART NO.	DESCRIPTION	Q/VH	MODEL**	VARIANT*
1	G2111460	Backplate Comp Front	1	A	A	24	N3200120	Punched Washer Speedometer Mtg 2S	2	2S	A
2	G4320550	Spacer Plate Wheel 2.5Mm	1	A	A	25	G5200110	Square Nut	2	2S	A
2A	G4320540	Spacer Plate Wheel 1.6Mm (Ni)	1	A	A	26	0332068	Crph Scr M6X12 6.8 Speedometer Mtg 2S	2	2S	A
3	G2110320	Brake Shoe Comp	2	A	A	26A	N8200080	Crr Pan Head Screw M5X10 Speedo Mtg 4S	2	4S	A
4	G2111340	Liner Brake Shoe	2	A	A	27	G2160320	Bulb (Capless Speedometer)	1	A	A
5	G2110330	Spring Brake Shoe Return Bottom	1	A	A	28	F200098	Crph Scr M5X20 8.8 Spedo Cable To Drive Joint	1	A	A
6	G2111860	Spring Brake Shoe Return Top	1	A	A	29	G5150430	Gasket Hub Drive	1	A	A
7	G5200180	Hex Flange U Nut Axle	1	A	A	30	G2200460	Csk Screw M4X10 Hub Drive Mtg	3	A	A
8	G2110350	Spring Shoe Holding	2	A	A	31	G5320610	Locating Pin (Brake Cam )	2	A	A
9	G2110360	Lock Washer Brake Shoe	2	A	A	32	G5161210	Cord Set Wire Speedometer	1	A	A
10	G2110370	Lock Plate	2	A	A						
11	G5200490	Punched Washer 8.5 Spring Brake Shoe	2	A	A						
12	420477700	Hex Screw M8X16 8.8 (Bolt Back Plate)	4	A	A						
13	G2110710	Axle Front	1	A	A						
14	G2110570	Axle Bolt	4	A	A						
15	G2111310	Distance Piece Front Axle	1	A	A						
16	G2111320	Speedo Drive Comp	1	A	A						
17	G2110390	Brake Drum	1	A	A						
18	G2200460	Csk Screw M4X10	2	A	A						
19	G5150450	Speedo Cable Inner	1	A	A						
20	G5200340	Punched Washer Spedo Cable To Drive Joint		A	A						
21	G2111290	Speedo Drive Assy	1	A	A						
22	G5170080	Cable Assy Speedo	1	A	A						
23	G5160150	Speedometer Assy	1	A	A						

\*\* A - Common 2 & 4 Stroke models , 2S - Only 2 Stroke, 4S Only 4 Stroke

\* (A - All Variants) (P - Petrol ES) (L - LPG) (C - CNG) (LSM -LPG Single Mode)

# REAR WHEEL ASSEMBLY

Figure 20





## REAR WHEEL ASSEMBLY

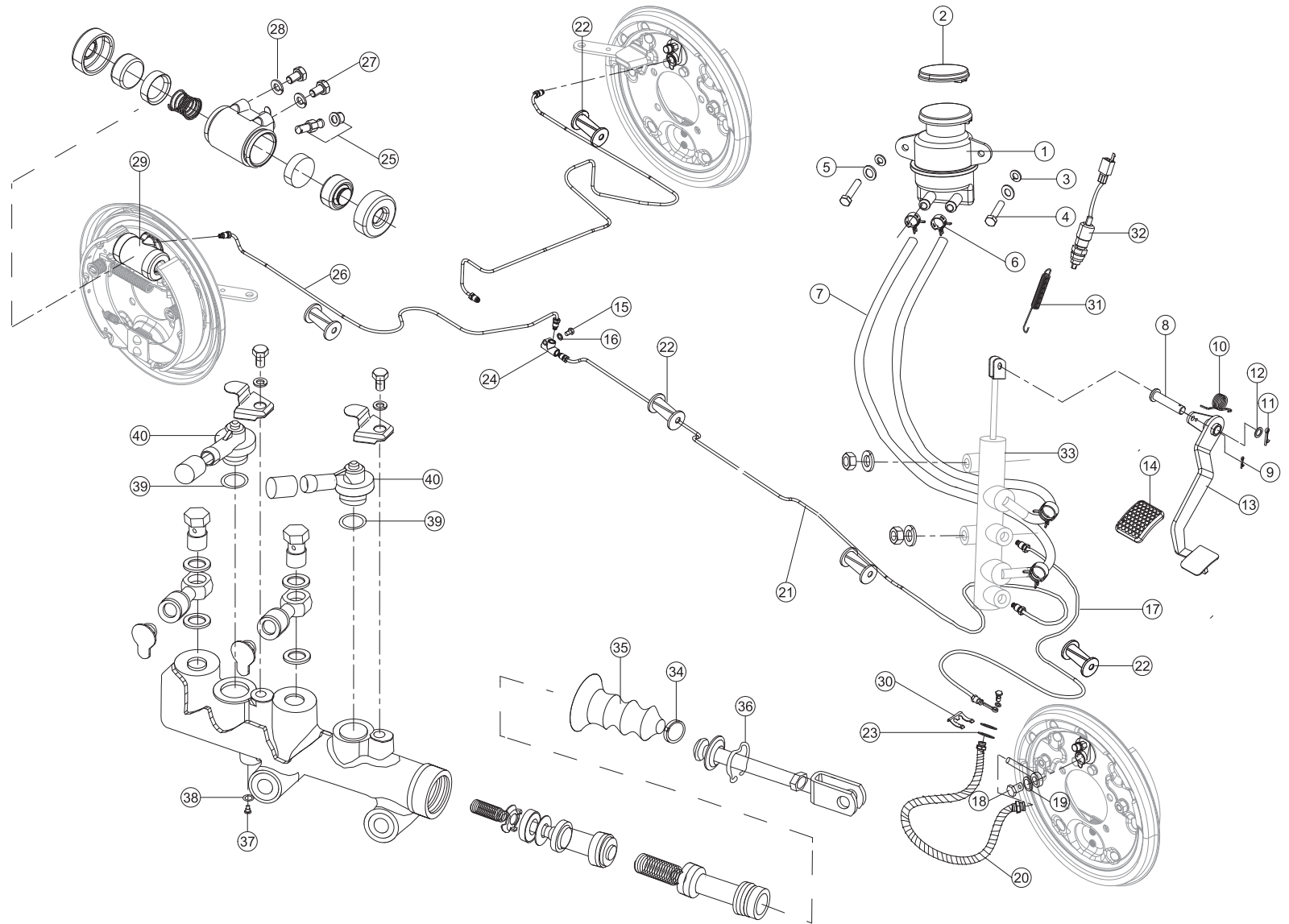
REF NO.	PART NO.	DESCRIPTION	Q/VH	MODEL**	VARIANT*	REF NO.	PART NO.	DESCRIPTION	Q/VH	MODEL**	VARIANT*
1	G2110570	Bolt, Axle	4	A	A	24	G2110910	Lever Parking Brake	2	A	A
2	G2110530	Axle Rear	1	A	A	25	G2111860	Spring Brake Shoe Return Top	2	A	A
3	G2110390	Brake Drum	2	A	A	26	G2110320	Brake Shoe Comp	4	A	A
4	G2200460	Csk Screw M4X10	2	A	A	27	G2111340	Liner Brake Shoe	4	A	A
5	G5110200	Spring Washer Bolt Axle	12	A	A	28	G2110440	Axle Comp Rear	1	A	A
6	G5200410	Hex Nut M10 X 1.5 Bolt Axle	12	A	A						
7	G2111090	Rim Assy	3	A	A						
8	G2110330	Spring Brake Shoe Return Bottom	2	A	A						
9	G5320610	Locating Pin (Brake Cam )	4	A	A						
10	G2110360	Lock Washer Brake Shoe	4	A	A						
11	G5200490	Punched Washer 8.5 Spring Brake Shoe	4	A	A						
12	420477700	Hex Screw M8X16 8.8 (Bolt Back Plate)	8	A	A						
13	G2110370	Lock Plate	4	A	A						
14	G2110350	Spring Shoe Holding	4	A	A						
15	G2080540	Lock Plate Muff cup Engine Side	2	A	A						
16	420454700	Hex Screw M8X20 Lock Plate Muff Cup Engine	2	A	A						
17	G2111180	Back Plate RH	1	A	A						
17A	G2110210	Back Plate LH	1	A	A						
18	G2110920	Strut Comp Parking Brake	2	A	A						
19	0331580	Split Pin Strut Parking Brake	2	A	A						
20	G5110080	Pin Parking Brake	2	A	A						
21	G2111170	Plate, Parking Brake	2	A	A						
22	G2111190	Packing Parking Brake	2	A	A						
23	G5200180	Hex Flange U Nut Axle	2	A	A						

\*\* A - Common 2 & 4 Stroke models , 2S - Only 2 Stroke, 4S Only 4 Stroke

\* (A - All Variants) (P - Petrol ES) (L - LPG) (C - CNG) (LSM -LPG Single Mode)

# HYDRAULIC BRAKE SYSTEM

Figure 21



## HYDRAULIC BRAKE SYSTEM

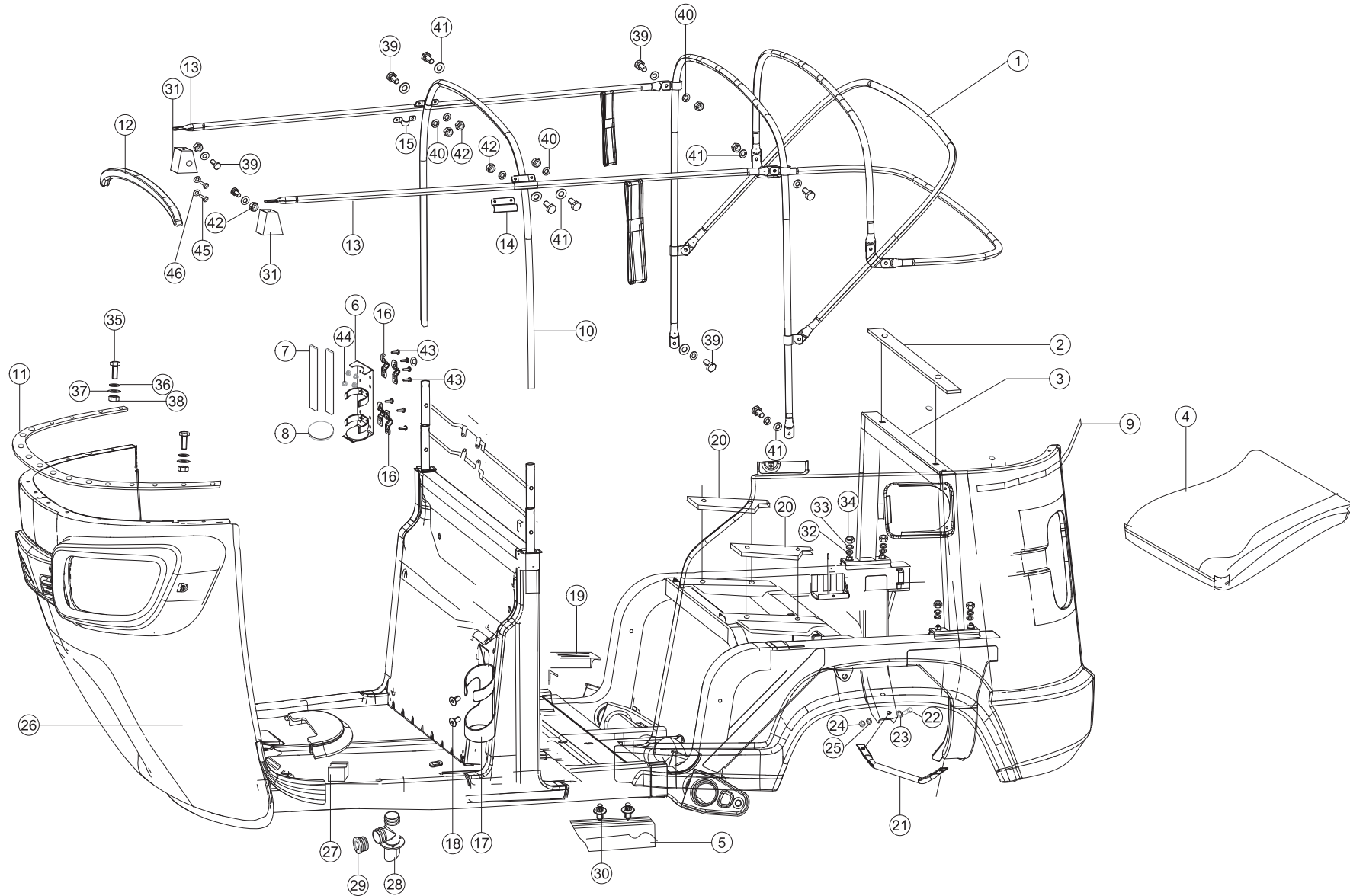
REF NO.	PART NO.	DESCRIPTION	Q/VH	MODEL**	VARIANT*	REF NO.	PART NO.	DESCRIPTION	Q/VH	MODEL**	VARIANT*
1	G2110060	Brake Fluid Reservoir Assy	1	A	A	25	G2111280	Breather Screw With Cap	3	A	A
2		Cap Brake Fluid Reservoir	1	A	A	26	G2111570	Bundy Tube Assy Rear Lh, Rh	2	A	A
3	0330308	Wave Spring Washer M5	2	A	A	27	N3200250	Hex Screw M6X10 Wheel Cylinder Mtg	2	A	A
4	G5200340	Punched Washer 5.5 X 12 X 1	2	A	A	28	P1200050	Wave Spring Washer M6 Wheel Cylinder Mtg	2	A	A
5	G5200290	Hex Screw M5X 20 Reservoir	2	A	A	29	G2110220	Wheel Cylinder Assy	1	A	A
6	G2110130	Clamp Hose Reservoir	4	A	A	30	G2111580	Clip Flexible Hose	1	A	A
7	G2110120	Hose Brake Oil	2	A	A	31	G2160340	Spring Brake Switch	1	A	A
8	G2111610	Pin Master Cylinder	1	A	A	32	G2160250	Brake Light Switch	1	A	A
9	0330048	Split Pin 2.0X20 Pin TMC	1	A	A	33	G2110020	Master Cylinder	1	A	A
10	G3120240	Torsion Spring Brake	1	A	A	34	G5320540	Clip Dist Bellow	1	A	A
11	0330028	Split Pin 3.2X25 Brake Pedal Mtg Pin	1	A	A	35	G5320550	Dust Bellow Tmc Push Rod	1	A	A
12	0335698	Punched Washer 14.5X22X1.6 Znb	1	A	A	36	G5320070	Circlip Lock Push Road TMC	1	A	A
13	G3120200	Brake Pedal Comp	1	A	A	37	G5320350	Stop Pin Air Leak Screw	1	A	A
14	G5121730	Pad Brake Pedal	1	A	A	38	G5320090	O Ring Stop Screw	1	A	A
15	0331838	Hex Screw M6X25 4.6 Znb 3 Way Union	1	A	A	39	G5320060	O Ring Adopter TMC	2	A	A
16	P1200050	Wave Spring Washer M6 3 Way Union	1	A	A	40	G5320030	Adaptor TMC	2	A	A
17	G3110050	Bundy Tube Assy Front	1	A	A						
18	G2110420	Banjo Bolt	1	A	A						
19	7100310	Packing Banjo Bolt Front	2	4	A						
20	G2111720	Flexible Hose Front	1	A	A						
21	G2111550	Bundy Tube Assy Center	1	A	A						
22	G2111500	Packing Bundy Tube (Rubber Gromet)	5	A	A						
23	0335024	Shim Oiled For Flexible Hose Cowl Joint	2	A	A						
24	G2110190	3 Way Union	1	A	A						

\*\* A - Common 2 & 4 Stroke models , 2S - Only 2 Stroke, 4S Only 4 Stroke

\* (A - All Variants) (P - Petrol ES) (L - LPG) (C - CNG) (LSM -LPG Single Mode)

# CHASSIS & SOFT TOP ASSEMBLY

Figure 22



## CHASSIS & SOFT TOP ASSEMBLY

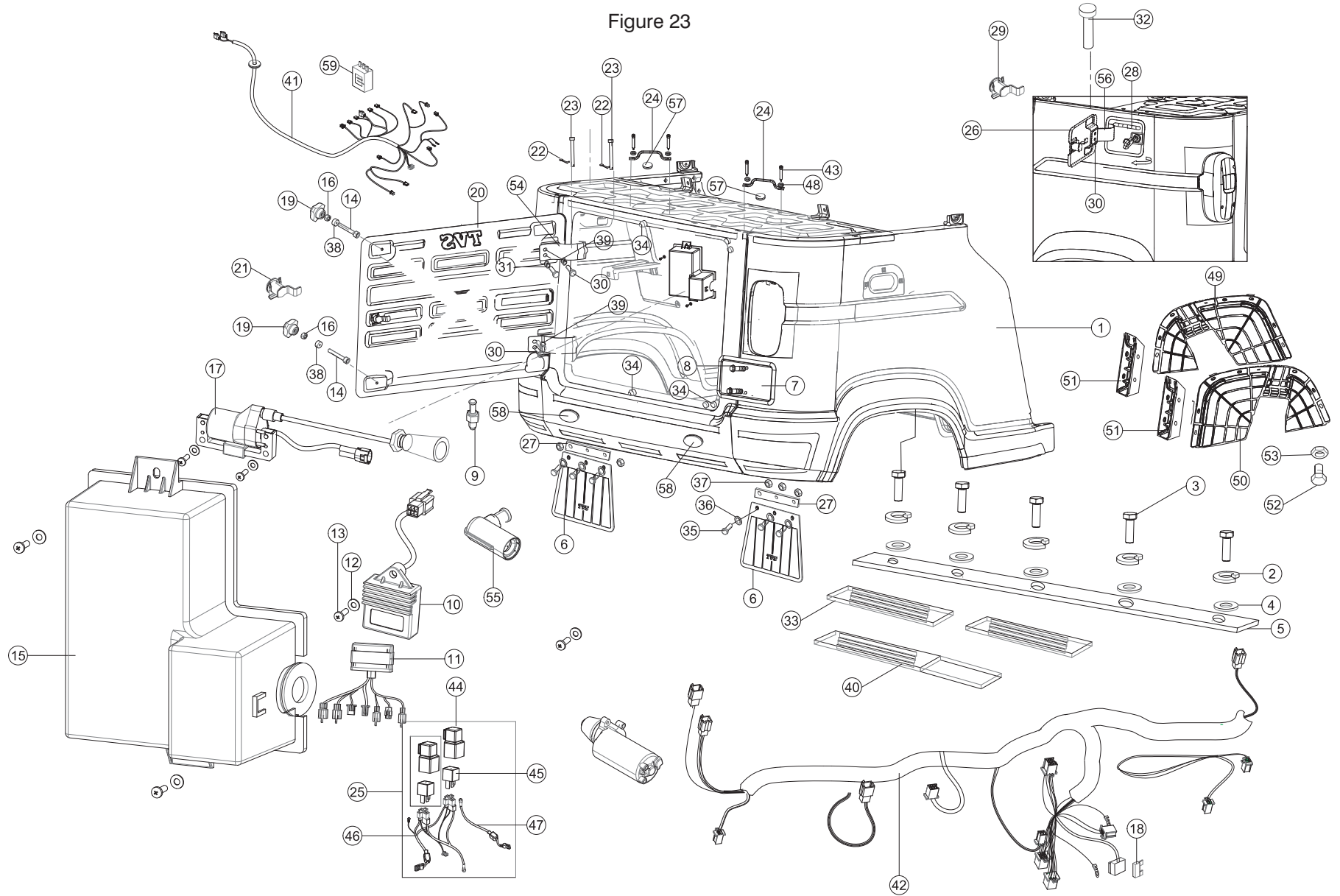
REF NO.	PART NO.	DESCRIPTION	Q/VH	MODEL**	VARIANT*	REF NO.	PART NO.	DESCRIPTION	Q/VH	MODEL	** VARIANT*
1	G5220920	Soft Top Comp Rear - C Pillar Assy	1	A	A	25	G5200330	Hex Nut M8 Link Rod Eng Mtg	2	A	A
2	G5122610	Packing Chassis Cabin	2	A	A	26	G51231903D	Chassis Assy Lpg - Rikshaw Black	1	A	L
3	G5121870	Cross Member Comp Cabin Support Rr	1	A	A	26A	G51239603D	Chassis Assy Es - Rikshaw Black	1	A	P
4	G52225007H	Canvas Soft Top -Brown	1	A	A	26B	G51239803D	Chassis Assy Cng - Rikshaw Black	1	A	C
5	G5230310	Grommet Sill Level LH	1	A	A	27	G5122640	Stopper Hand Start	1	A	A
6	G5122810	Brkt Comp Rear Extinguisher	1	A	L/C/LSM	28	G5123740	T Piece	1	A	L
7	G5123310	Cushion Holder Fire Extinguisher	2	A	L/C/LSM	29	G3160690	Grommet T Piece	1	A	L/C
8	G5123290	Cushion Bottom Fire Extinguisher	1	A	L/C/LSM	30	A128730	Button Assy Sill Covers	6	A	A
9	G5122510	Aluminum Packing Soft Top	1	A	A	31	G5230550	Side Block Soft Top LH/RH Plastic Mould	2	A	A
10	G5220910	B Pillar Frame Assy	1	A	A	32	G5200400	Punched Washer cross Member Mtg	4	A	A
11	G5120830	Sealing Cowl Windshield	1	A	A	33	G5110210	M8 Spring Washer Cross Member Mtg	4	A	A
12	G5122080	Wood Stick Middle Soft Top	1	A	A	34	G5200330	Hex Nut M8 Cross Member Mtg	4	A	A
13	G5220170	Side Tube LH , RH	2	A	A	35	420462700	Hex Bolt M6X20 Wind Shield Mtg	10	A	A
14	G5221250	Bkt Side Tube B Pillar	2	A	A	36	0330408	Wave Spring Washer	10	A	A
15	G5221110	Bracket Cross Member B Pillar	2	A	A	37	0335578	Plain Washer	10	A	A
16	G3130280	Clamp Fire Extinguisher	4	A	L/C/LSM	38	420305700	Hex Nut M6 Two Sides Only	2	A	A
17	G5300050	Holder Water Bottle	1	A	A	39	P1200070	Hex Bolt M6X16 A,B, C Pillar Mtg	10	A	A
18	0332275	Screw - Crph M6X16 6.8 Znk	2	A	A	40	0330408	Wave Spring Washer A,B, C Pillar Mtg	10	A	A
19	G5230360	Grommet Sill Level RH	1	A	A	41	0335578	Plain Washer A,B, C Pillar Mtg	10	A	A
20	G5120779	Packing Support Seat Base	2	A	A	42	420305700	Hex Nut M6 Two Sides Only	8	A	A
21	G5123720	Link ,Rear Eng Cradle	1	A	A	43	8200120	Hex Screw Wm5X12 Mtg Fire Extinguisher	8	A	L/C/LSM
22	R1200310	Hex Flange Screw M8X20 Link Rod Eng Mtg	2	A	A	44	G5220240	Flange Cap Nut Mtg Fire Extinguisher	8	A	L/C/LSM
23	G5200400	Punched Washer Link Rod Eng Mtg	2	A	A	45	8200120	Hex Screw Wm5X12 Side Block Mtg	4	A	A
24	G5110210	Wave Spring Washer M8 Link Rod Eng Mtg	2	A	A	46	335558	Plain Washer Side Block Mtg	4	A	A

\*\* A - Common 2 & 4 Stroke models , 2S - Only 2 Stroke, 4S Only 4 Stroke

\* (A - All Variants) (P - Petrol ES) (L - LPG) (C - CNG) (LSM -LPG Single Mode)

# PASSENGER BODY & ELECTRICALS

Figure 23



## PASSENGER BODY & ELECTRICALS

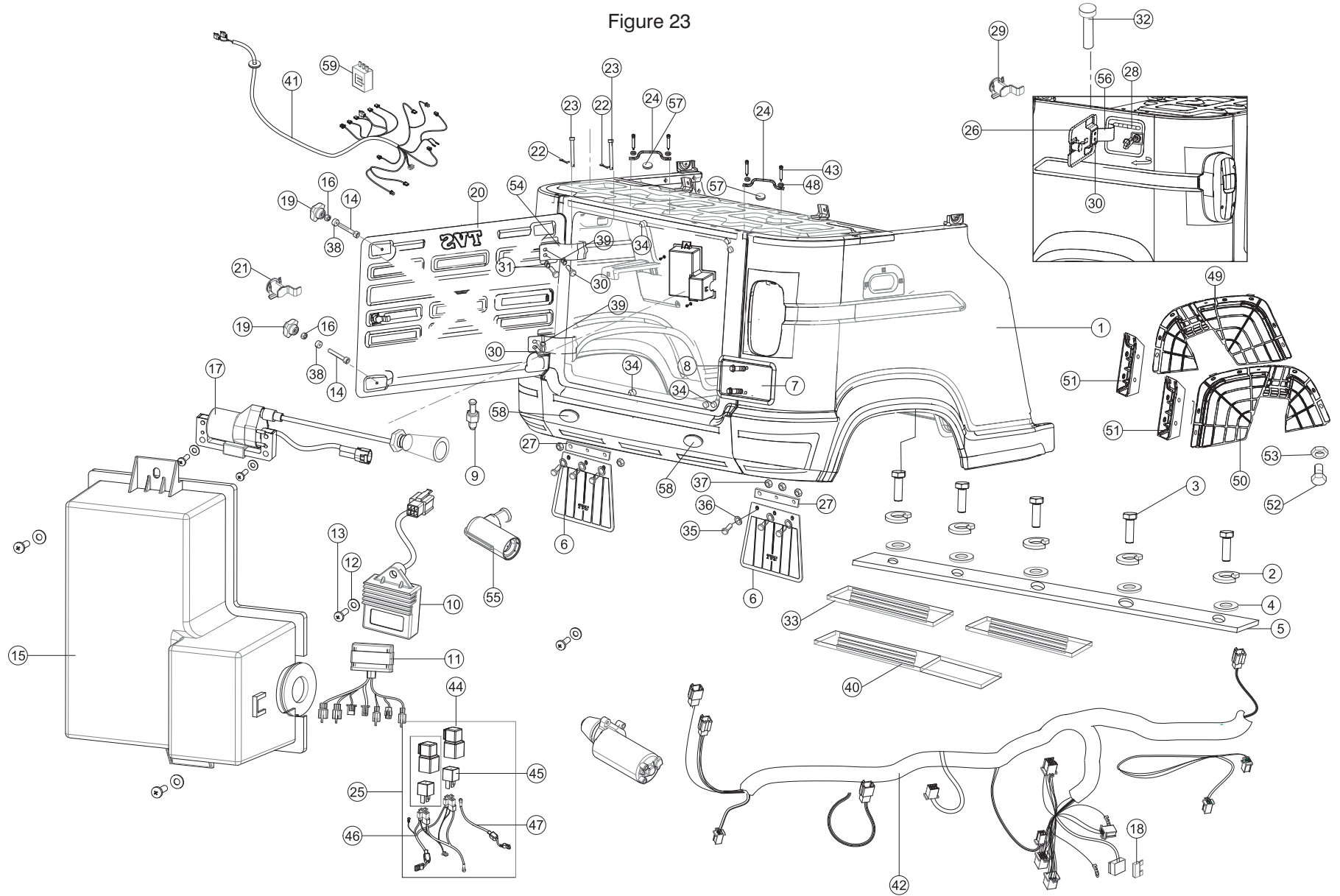
REF NO.	PART NO.	DESCRIPTION	Q/VH	MODEL**	VARIANT*	REF NO.	PART NO.	DESCRIPTION	Q/VH	MODEL	** VARIANT*
1	G52214903D	Passenger Cabin Black	1	A	A	18	G5160550	Fuse 15 Amps	2	A	A
1A	G42200708L	Cabin LPG/CNG Single Mode Green (Ni)	1	A	L/C	18A	G4320430	Fuse 5A (Ni)	2	A	L/C/LSM
2	G5110210	Wave Spring Washer M8 Cabin Mtg	10	A	A	18B	G3160660	Fuse 2A (Ni)	2	A	L/C/LSM
3	G5200270	Hex Screw M8 X1.25 X 25	10	A	A	19	G5123830	Knob M5	2	A	A
4	G5200280	Punched Washer 8.5 X 25 X 2	10	A	A	20	G52206003D	Tail Door Assy Rikshaw Black	1	A	A
5	G5120769	Packing Floor Cabin	2	A	A	21	G5320390	Lock Assy Tail Door New	1	A	A
6	G5221660	Mud Flap	3	A	A	21A	G5221560	Lock Assy Tail Door Old Long Leg	1	2S	A
7	G52208905R	Number Plate - Golden Yellow	2	A	A	22	0330048	Split Pin 2.0X20 Tail Door And Fuel Lid	3	A	A
8	N3200220	Hex Fl Bolt M6X16 Number Plate Mtg	4	A	A	23	G2200610	Pin Hinge Tail Door	2	A	A
9	K3060260	Thermal Sensor	1	4S	L	24	G5220270	Side Panel Handle Soft Top Belt	2	A	A
10	G5060290	RR Unit	1	A	A	25	G5160930	Starter Relay Assy	1	A	A
11	G4060040	Digital TCI Unit - 4S	1	4S	A	26	G52206505R	Lid Comp Fuel Tank Yellow	1	A	A
11A	G5060020	Digital TCI Unit	1	2S	L	27	G5123400	Plate Mud Flap	3	A	A
11B	G5320430	Digital TCI Unit 2S Petrol	1	2S	P	28	G5230470	Edge Trim,Lidfuel Tank	3	A	A
11C	G3060170	Digital TCI Unit - CNG	1	2S	C	29	G5320380	Lock Assy Fuel Tank Lid	1	A	P\L\C
11D		Digital TCI Unit Old	1	2S	C	30	P1200070	Hex Screw M6 Tail Door & Lid Fuel Tank Mtg	6	A	A
11E		Digital TCI Unit Old	1	2S	L	31	P1200050	Spring Washer M6 Tail Door & Lid Fuel Tank Mtg	6	A	A
12	G5200340	Punched Washer Rr Unit Mtg	5	A	A	32	G5221140	Pin Hinge Fuel Tank	1	A	A
13	G5200290	Hex Screw M5X 20 Rr Unit Mtg	5	A	A	33	G5222440	Packing Support Seat Base	2	A	A
14	G5200430	Tail Door Allen Screw M5X35	2	A	A	34	G5221640	Grommet Tail Door	6	A	A
15	G3060060	Cover Cdi	1	A	A	35	P1200070	Hex Screw M6X16 8.8 Mud Flap Mtg	9	A	A
16	G5200320	Hex Nut M5 Tail Door Knob	2	A	A	36	N3200120	Punched Washer Mud Flap Mtg	9	A	A
17	G4060080	Ignition Coil Assy 4S	1	4S	A	37	P1200060	Hex Nut M6 Zng Mud Flap Mtg	9	A	A
17A	G5060210	Ignition Coil Assy 2S New	1	2S	A	38	G5222440	Ring Knob Tail Door	3	A	A

\*\* A - Common 2 & 4 Stroke models , 2S - Only 2 Stroke, 4S Only 4 Stroke

\* (A - All Variants) (P - Petrol ES) (L - LPG) (C - CNG) (LSM -LPG Single Mode)

# PASSENGER BODY & ELECTRICALS

Figure 23





## PASSENGER BODY & ELECTRICALS

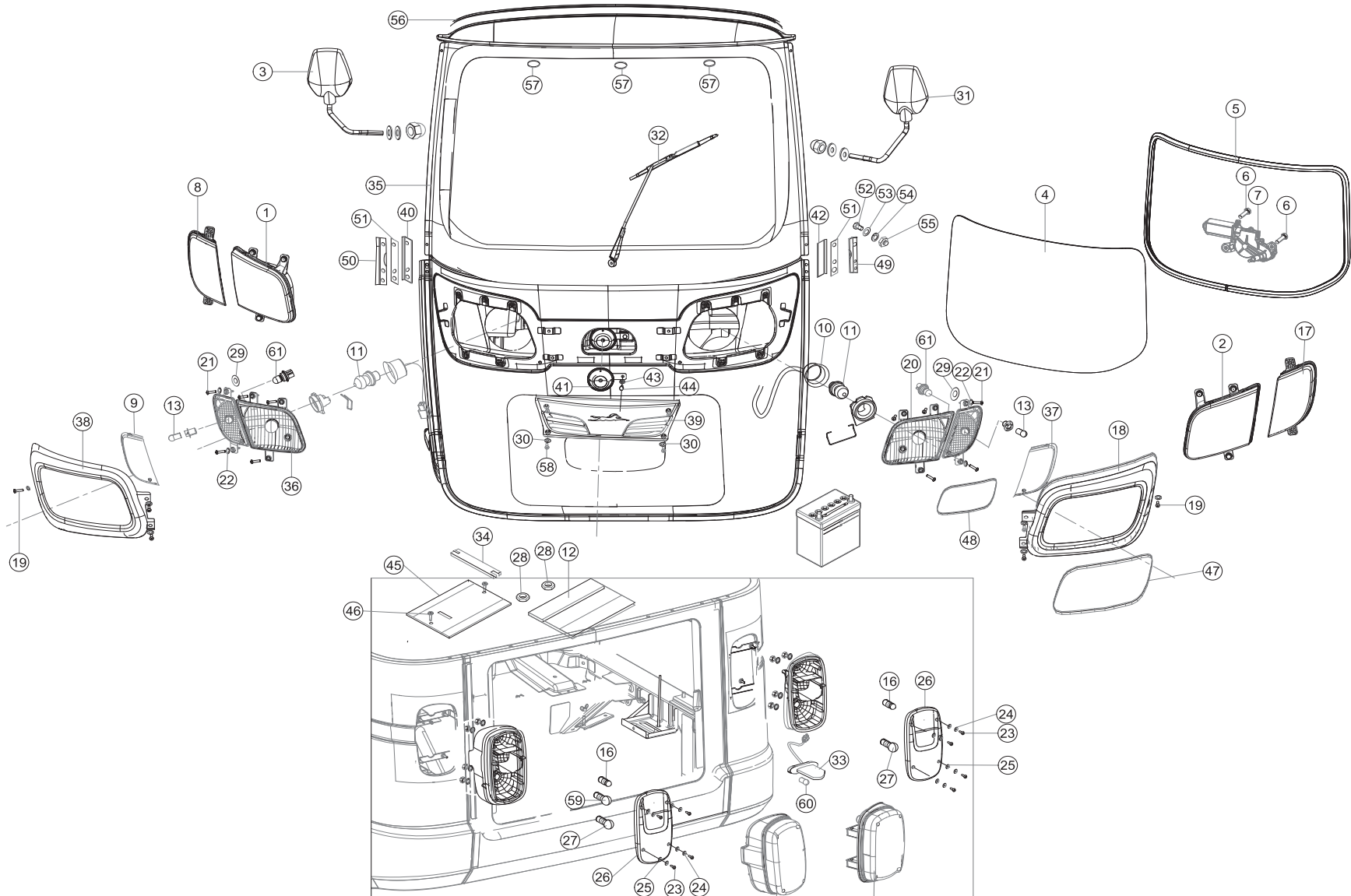
REF NO.	PART NO.	DESCRIPTION	Q/VH	MODEL**	VARIANT*	REF NO.	PART NO.	DESCRIPTION	Q/VH	MODEL	** VARIANT*
39	N3200120	Washer Tail Door & Lid Fuel Tank Mtg	6	A	A	51	G5230540	Cover Tail Lamp	2	A	A
40	G5122610	Packing Chassis Cabin	1	A	A	52	N3200220	Hex Fl Bolt M6X16 Splash Guard	10	A	A
41	G4160130	Wiring Harness, Front -4S LPG /CNG	1	4S	L/C/LSM	53	P1200060	Hex Nut M6 Zng Splash Guard Mtg	10	A	A
41A	G3160710	Wiring Harness, Front- LPG W/O Car Safety	1	2S	L	54	G5222230	Hinge Comp Tail Door	2	A	A
41B	G4160100	Wiring Harness, Front 4S Petrol (Ni)	1	4S	P	55	N9060280	Suppressor Cap Old	1	2S	A
41C	G4160010	Wiring Harness, Front - Petrol Es (Ni)	1	2S	P	56	G5220679	Hinge Fuel Tank	1	A	A
41D	G5160280	Wiring Harness, Front - CNG New (Ni)	1	2S	C	57	G5230410	Grommet 20X16 Cabin LH Luggage Area	1	A	A
41E	G3160340	Wiring Harness Front LPG Old (Ni)	1	2S	L	58	G5230420	Grommet,Dia20 Cut Out Bumper	2	A	A
41F	G5320810	Wiring Harness . Front CNG Old (Ni)	1	2S	C	59	G3160470	Car safety Unit Old	1	A	A
42	G4160140	Wiring Harness, Rear -4S LPG /CNG	1	4S	L/C/LSM						
42A	G3160720	Wiring Harness, Rear -LPG W/O Car Safety (Ni)	1	2S	L						
42B	G4160020	Wiring Harness, Rear - Petrol Es (Ni)	1	2S	P						
42C	G4160110	Wiring Harness, Rear - 4S Petrol (Ni)	1	4S	P						
42D	G5160290	Wiring Harness, Rear-CNG (Ni)	1	2S	C						
42E	G3160350	Wiring Harness Rear LPG Old (Ni)	1	2S	L						
42F	G5320820	Wiring Harness . Rear Old	1	2S	C						
43	P1200070	Hex Screw M6X16 8.8 Handle Soft Top	4	A	A						
44	R3160090	Boot Starter Relay	2	A	A						
45	R2160100	Relay Starter Motor	2	A	A						
46	G5160760	Cord Set, Starter Relay (Red).	1	A	A						
47	G3160730	Cord Set, Starter Motor Black	1	A	A						
48	P1200050	Wave Spring Washer M6 Handle Soft Top	6	A	A						
49	G5230520	Rear Mudguard LH	1	A	A						
50	G5230530	Rear Mudguard RH	1	A	A						

\*\* A - Common 2 & 4 Stroke models , 2S - Only 2 Stroke, 4S Only 4 Stroke

\* (A - All Variants) (P - Petrol ES) (L - LPG) (C - CNG) (LSM -LPG Single Mode)

# LIGHTING SYSTEM & WINDSHIELD ASSEMBLY

Figure 24



## LIGHTING SYSTEM & WINDSHIELD ASSEMBLY

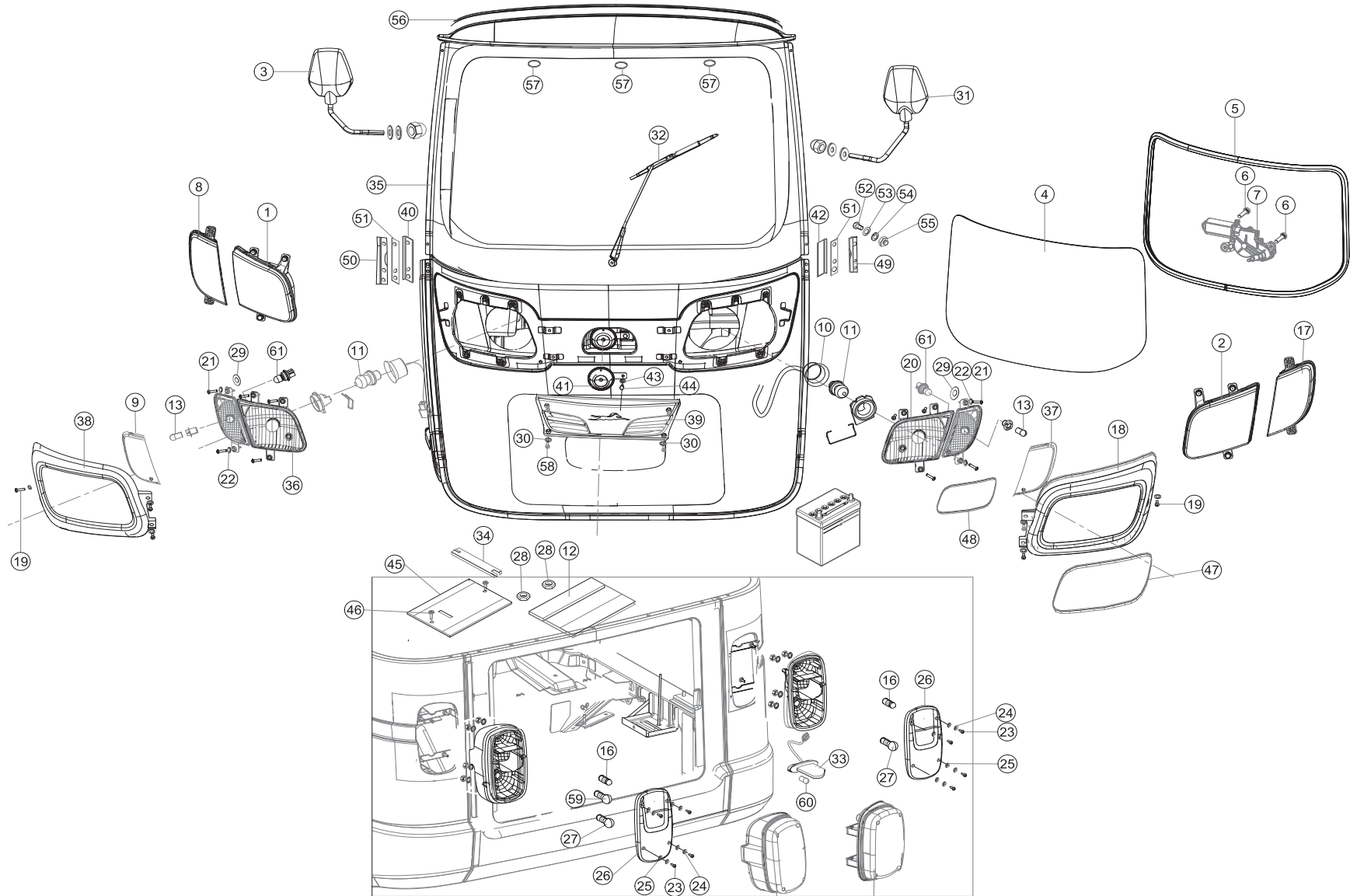
REF NO.	PART NO.	DESCRIPTION	Q/VH	MODEL**	VARIANT*	REF NO.	PART NO.	DESCRIPTION	Q/VH	MODEL	** VARIANT*
1	G5160070	Headlamp Assy RH	1	A	A	25	G5160510	Rubber Washer M3 RCB Lense	8	A	A
2	G5160060	Head Lamp Assy LH	1	A	A	26	G5160360	Rear Combination Lamp Glass, LH / RH	2	A	A
3	G5221980	Mirror Assy RH Rear View	1	A	A	27	M3160520	Brake Lamp Bulb	2	A	A
4	G5220140	Glass W/S	1	A	A	28	M1200900	Hex Flange Nut M6 Battery Mtg	2	A	A
5	G5220150	Beading Glass W/S	1	A	A	29	G5160560	Washer, Indicator Lamp Front	4	A	A
6	420462700	Hex Screw M6X20 8.8 Wiper Motor Mtg	3	A	A	30	G5200340	Punched Washer Logo Grill	4	A	A
7	G5160200	Wiper Motor Assy	1	A	A	31	G5221970	Mirror Assy LH Rear View.	1	A	A
8	G5160090	Front Indicator Lamp Assy RH	1	A	A	32	G5160050	Wiper Blade Assy	1	A	A
9	G5160380	Front Indicator Glass RH	1	A	A	33	G5160220	Lamp Assy License Plate	1	A	A
10	G5160350	Holder Headlamp Bulb, LH / RH With Wiring	2	A	A	34	G5123250	Clamp Battery	1	A	A
11	S1160150	Bulb Headlamp	2	A	A	35	G52226505R	Windshield Assy+Sticker - Golden Yellow	1	A	A
12	G5123350	Packing Bottom Battery	1	A	A	35A	G52200105R	Windshield Frame - Golden Yellow	1	A	A
13	G5160660	Indicator Bulb 10W Front	2	A	A	36	G5160340	Reflector Head Lamp Assly, RH	1	A	A
14	G5160100	Rear Combination Lamp LH	1	A	A	37	G5160370	Front Indicator Glass LH	1	A	A
15	G5160110	Rear Combination Lamp RH	1	A	A	38	G5120669	Bezel RH Cowl Front	1	A	A
16	N3160210	Bulb 12V10W Turn Signal Rear	2	A	A	39	G5123580	Grill Assy	1	A	A
17	G5160080	Front Indicator Lamp Assy LH	1	A	A	40	G5121820	Brkt RH Cowl Wind Shield Driver Side	1	A	A
18	G5120659	Bezel LH Cowl Front	1	A	A	41	G2160040	Horn 12V Dc	1	A	A
19	G5200360	Crr Pan Head Screw M5 X 20 Bezel	2	A	A	42	G5121810	Brkt LH Cowl Wind Shield Driver Side	1	A	A
20	G5160330	Reflector Head Lamp Assy, LH	1	A	A	43	P1200050	Wave Spring Washer Horn Mtg	1	A	A
21	G5200360	Crr Pan Scrw M5 X 20 Indicator Front Lamp Mtg	4	A	A	44	P1200070	Hex Screw M6X16 8.8 Horn Mtg	1	A	A
22	P1200100	Plain Washer Indicator Front Mtg	4	A	A	45	G5221780	Lid Battery Box	1	A	A
23	G5160490	Pan Head Screw RCB Lense	8	A	A	46	P1200040	Crph Scr M6X16 6 Mtg Lid Battery	2	A	A
24	G5160500	Plain Washer M3 RCB Lense	8	A	A	47	G2160500	Beading Headlamp(Big Outer Side)	2	A	A

\*\* A - Common 2 & 4 Stroke models , 2S - Only 2 Stroke, 4S Only 4 Stroke

\* (A - All Variants) (P - Petrol ES) (L - LPG) (C - CNG) (LSM -LPG Single Mode)

# LIGHTING SYSTEM & WINDSHIELD ASSEMBLY

Figure 24



## LIGHTING SYSTEM & WINDSHIELD ASSEMBLY

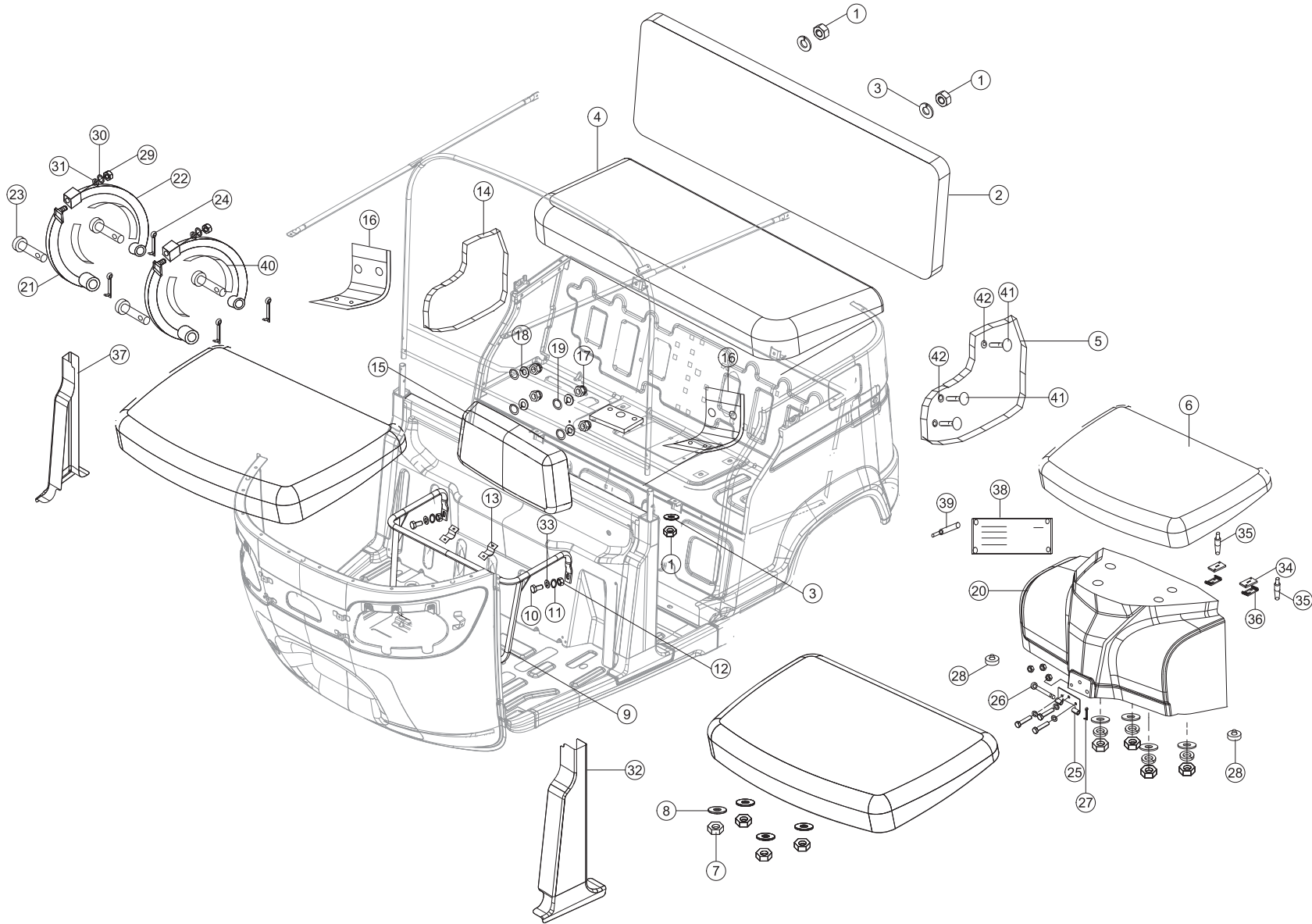
REF NO.	PART NO.	DESCRIPTION	Q/VH	MODEL**	VARIANT*	REF NO.	PART NO.	DESCRIPTION	Q/VH	MODEL	** VARIANT*
48	G2160460	Sealing Ring Headlamp(Small Inner Side)	2	A	A						
49	G5222670	Brkt Cowl-Windshield LH Front Side	1	A	A						
50	G5222680	Brkt Cowl-Windshield RH Front Side	1	A	A						
51	G5222690	Rubber Cushion, Cowl-Ws	2	A	A						
52	420462700	Hex Screw M6X20 8.8 Bkt Cowl Ws	6	A	A						
53	0335578	Punched Washer 6.5X13X1.0 Zng	6	A	A						
54	0330408	Wave Spring Washer M6 Zng	6	A	A						
55	G5200220	Domed Cap Nut	6	A	A						
56	G5230480	Edge Trim A Pillar	1	A	A						
57	G5230450	Grommet Dia 10 Wind Shield	3	A	A						
58	G5200350	Crr Pan Head Screw Logo Grill Mtg	4	A	A						
59	G5160700	Reverse Indicator Bulb	1	A	A						
60	G5160390	License Plate Bulb	1	A	A						
61	G5160670	Parking Bulb 4W Front	2	A	A						
62	G5320620	Mtg Bracket Wiper Motor (Ni)	1	A	A						
63	G5320630	Body Assy Wiper Motor (Ni)	1	A	A						
64	G5320640	Armature Wiper Motor (Ni)	1	A	A						
65	G5320650	Carbon Brush Wiper Motor (Ni)	1	A	A						

\*\* A - Common 2 & 4 Stroke models , 2S - Only 2 Stroke, 4S Only 4 Stroke

\* (A - All Variants) (P - Petrol ES) (L - LPG) (C - CNG) (LSM -LPG Single Mode)

# SEAT ASSEMBLY

Figure 25



## SEAT ASSEMBLY

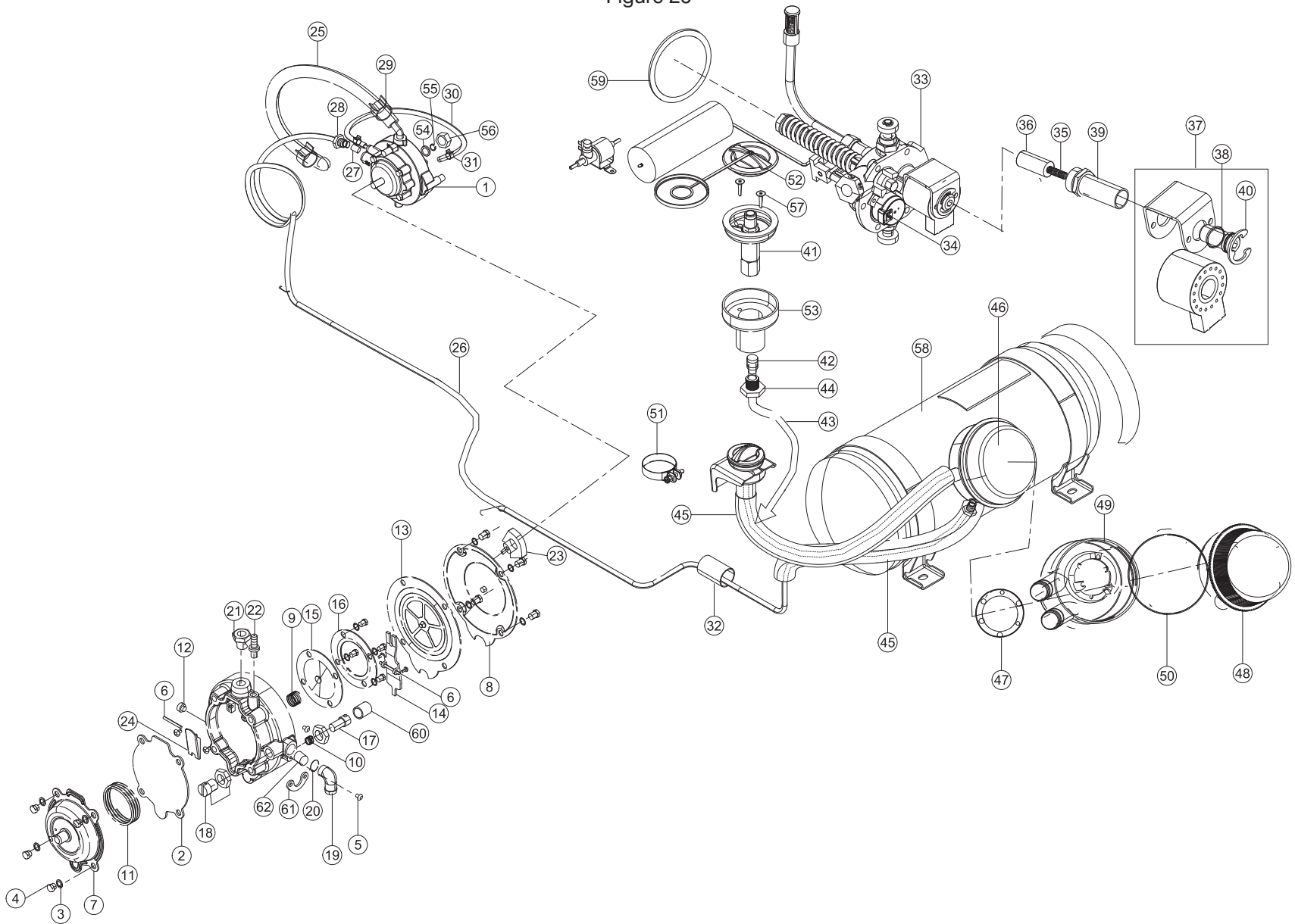
REF NO.	PART NO.	DESCRIPTION	Q/VH	MODEL**	VARIANT*	REF NO.	PART NO.	DESCRIPTION	Q/VH	MODEL**	VARIANT*
1	P1200060	Hex Nut M6 Zng Passenger Seat Mtg	5	A	A	23	G5200090	Pin 10 * 50 Strap LPG Tank Mtg	4	A	L
2	G31304407H	Backrest Assy Passenger Brown	1	A	A	23A	G5200080	Pin 10 * 95 Strap CNG Tank Mtg	4	A	C
3	P1200050	Wave Spring Washer M6 Zng Passenger Seat Mtg	5	A	A	24	330028	Split Pin	1	A	L/C
4	G51300207H	Seat Assy Passenger Brown	1	A	A	25	G5122220	Hinge Cover LPG/CNG	1	A	L/C
5	G52210397H	Side Cover L Passenger Seat Brown	1	A	A	26	G5200100	Pin 10 * 120 Hinge Cove LPG/CNG	1	A	L/C
6	G31301507H	Seat Base Assy Driver Brown	1	A	A	27	0330028	Split Pin Mtg Cover CNG/LPG	1	A	L/C
7	G5200320	Hex Nut M5 Driver Seat Base	4	A	A	28	G5222050	Cushion Cover LPG / CNG	3	A	L/C
8	N3200120	Punched Washer 6.5X13X1.0 Driver Seat Base	4	A	A	29	G5200410	Hex Nut M10 X 1.5	2	A	L/C
9	G5230100	Frame Comp Seat Driver	1	A	P	30	G5200310	Punched Washer 10.5 X18X1.6	2	A	L/C
10	G5200380	Hex Screw M8X 20 Driver Seat Frame Mtg	2	A	p	31	G5110200	Spring Washer A10	2	A	L/C
11	G5200280	Punched Washer Driver Seat Frame Mtg	2	A	p	32	G5120149	Panel LH B Pillar	1	A	A
12	G5200330	Hex Nut M8 Driver Seat Frame Mtg	2	A	p	33	G5110210	Wave Spring Washer M8 Driver Seat Frame Mtg	2	A	A
13	G3130280	Clamp Driver Seat Mtg	2	A	p	34	G5123660	Grommet Cover LPG/CNG	2	A	L/C
14	G52210497H	Side Cover R Passenger Seat Brown	1	A	A	35	G5123670	Guide Cover LPG/CNG (Pin Locator Seat)	2	A	L/C
15	G31305307H	Backrest Driver Brown	1	A	A	36	G5222750	Support Brkt Cover-CNG/LPG	2	A	L/C
16	G52222739	Seat Base Middle Reinforcement	2	A	A	37	G5120169	Panel RH B Pillar	1	A	A
17	G5200220	Domed Nut M6 Drvr Back Rest	4	A	A	38	G5210020	Compliance Plate CNG	1	A	C
18	P1200050	Wave Spring Washer M6 Zng Drvr Bak Rest Mtg	4	A	A	38A	G5210010	Compliance Plate LPG (Ni)	1	A	L
19	N3200120	Punched Washer Crvr Back Rest Mtg	4	A	A	39	G5200160	Rivet Compliance Plate	4	A	L/C
20	G5221450	Cover CNG /LPG	1	A	L/C	40	G5123180	Rubber Ring Cylinder CNG	2	A	C
21	G5122950	Strap Front LPG	2	A	L	40A	G5123170	Rubber Ring Cylinder LPG (Ni)	2	A	L
21A	G5122870	Strap Front CNG (Ni)	2	A	C	41	0331708	Crph Scr M5x12 6 Passenger Side Panel Mtg	6	A	A
22	G5122960	Strap Rear LPG	2	A	L	42	0335558	Plain Washer M5 Passenger Side Panel Mtg	6	A	A
22A	G5122880	Strap Rear CNG (Ni)	2	A	C						

\*\* A - Common 2 & 4 Stroke models , 2S - Only 2 Stroke, 4S Only 4 Stroke

\* (A - All Variants) (P - Petrol ES) (L - LPG) (C - CNG) (LSM -LPG Single Mode)

# LPG FUEL SYSTEM

Figure 26





## LPG FUEL SYSTEM

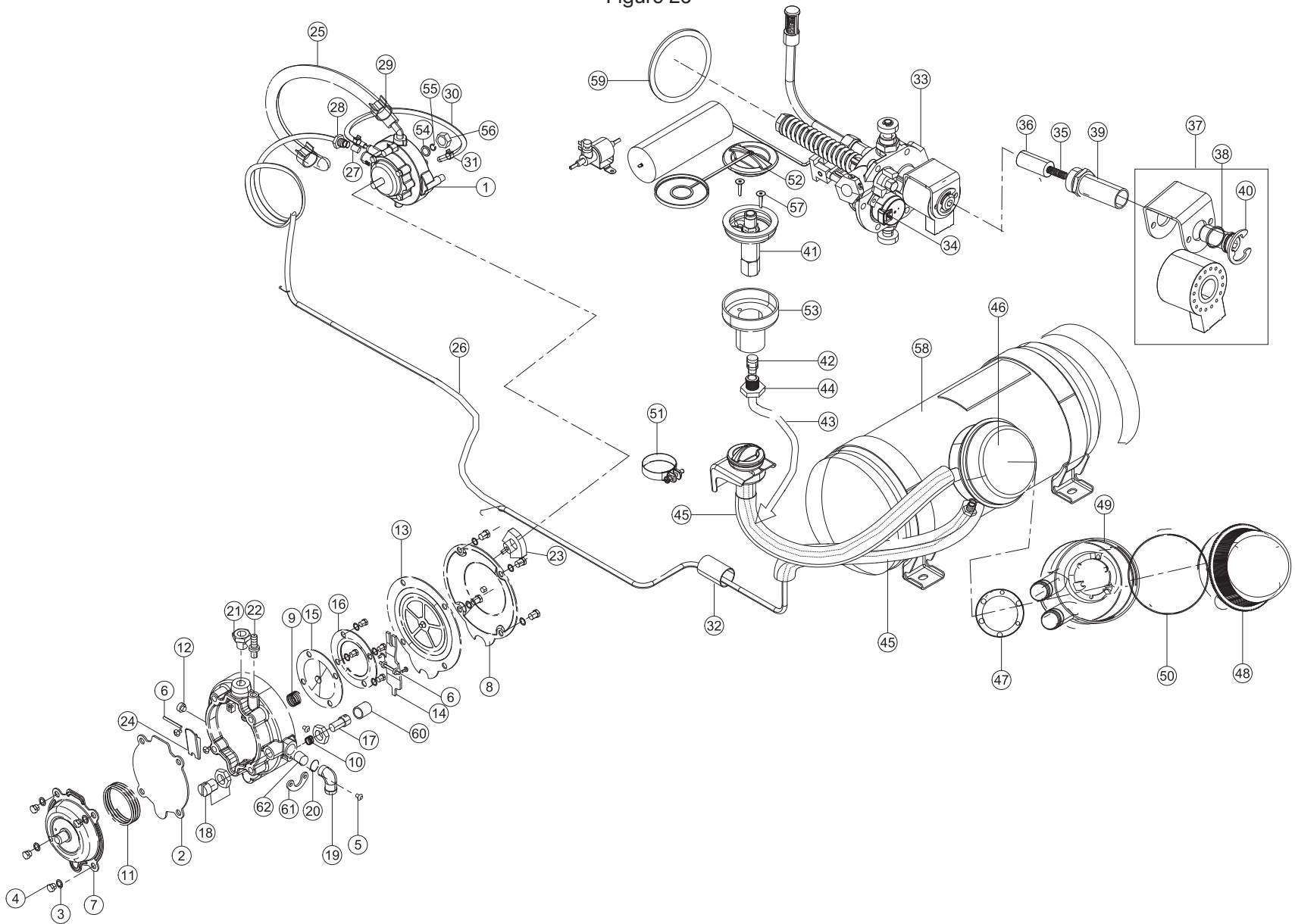
REF NO.	PART NO.	DESCRIPTION	Q/VH	MODEL**	VARIANT*	REF NO.	PART NO.	DESCRIPTION	Q/VH	MODEL**	VARIANT*
1	G4140090	LPG Reducer 4S.	1	4S	L	24	G5141030	1St Stage Rocker Lever With Valve Plug	1	A	L
1A	G5140250	LPG Reducer 2S.	1	2s	L	25	G5140260	LPG Input Hose 2S	1	2S	L
2	G5140790	1St Diaphragm Minirid	1	A	L	25A	G4140070	Input Hose LPG 4S (Dia 12*19 L 400 Mm)	1	4S	L
3	G5140800	Wave Washer D5*11*1, Reducer LPG	12	A	L	26	G5140220	Copper Tube From Tank Reducer Dia 6 LPG	1	A	L
4	G5140810	Te M5*12 Screw Uni 8110, Reducer LPG	12	A	L	27	G5140230	Ferrule Dia 6Mm Copper Tube Joint	2	A	L
5	420515700	Tc M4*6 Screw, Elbow Reucer Mtg LPG	2	A	L	28	G5140240	End Connector Dia 6 LPG	2	A	L
6	G5140830	Pin Dia 3X29 For Rocker Lever LPG	2	A	L	29	G5140270	Clip Input Hose	2	A	L
7	G5140840	1St Stage Cover Mini Rid LPG	1	A	L	30	G5140280	Rubber Hose Vaccum	1	A	L
8	G5140850	2Nd Stage Cover Diaphram LPG	1	A	L	31	G5140560	Hose Clip Vacuum	2	A	L
9	G5140860	Vacuum Stage Spring, Reducer LPG	1	A	L	32	G4140140	Chassis Sleeve, Hose Vacuum LPG	1	A	L
10	G5140870	Idle Register Spring Minirid, Reducer L	1	A	L	33	G5140090	Multi Valve LPG	1	A	L
11	G5140900	1St Stage Spring, Reducer LPG	1	A	L	34	G5140730	Electronic Level Indicator	1	A	L
12	G5140910	Oil Drain Plug C/W, Reducer LPG	1	A	L	35	G5140690	Spring Complete Valve For LPG Solenoid	1	A	L
13	G5140920	2Nd Stage Diaphragm - LPG	1	A	L	36	G5140680	Piston Multi Valve LPG Solenoid	1	A	L
14	G5140930	2Nd Stage Rocker Lever Reducer LPG	1	A	L	37	G5140700	Coil For LPG Solenoid With Wiring	1	A	L
15	G5140940	Vacuum Diaphragm Reducer LPG	1	A	L	38	G5140660	O Ring Holder Solenoid	1	A	L
16	G5140950	Plate Seal 2Nd Stage Diaphram	1	A	L	39	G5140650	Holder Solenoid Vlave LPG	1	A	L
17	G5140960	Idle Register Screw With O Ring	1	A	L	40	G5140670	Retining Clip For Solenoid	1	A	L
18	G5140970	Power Screw With O Ring	1	A	L	41	G5140770	Filler Valve	1	A	L
19	G5140980	Outlet Elbow Minirid Reducer	1	A	L	42	G5140140	Ferrule Dia 8Mm	2	A	L
20	G5140990	O Ring For Elbow, Reducer LPG	1	A	L	43	G5140130	Copper Pipe Filler To Tank Dia 8 LPG	1	A	L
21	G5141000	Inlet Connection Minirid With O Ring	1	A	L	44	G5140180	End Connector Dia 8 LPG	2	A	L
22	G5141010	Vacuum Fitting With O Ring, Reducer LPG	1	A	L	45	G5140150	Flexible Hose Filler Valve LPG	2	A	L
23	G5141020	LPG Choke Solenoid Assy	1	A	L	46	G5140750	Vapour Box Assy	1	A	L

\*\* A - Common 2 & 4 Stroke models , 2S - Only 2 Stroke, 4S Only 4 Stroke

\* (A - All Variants) (P - Petrol ES) (L - LPG) (C - CNG) (LSM -LPG Single Mode)

# LPG FUEL SYSTEM

Figure 26



## LPG FUEL SYSTEM

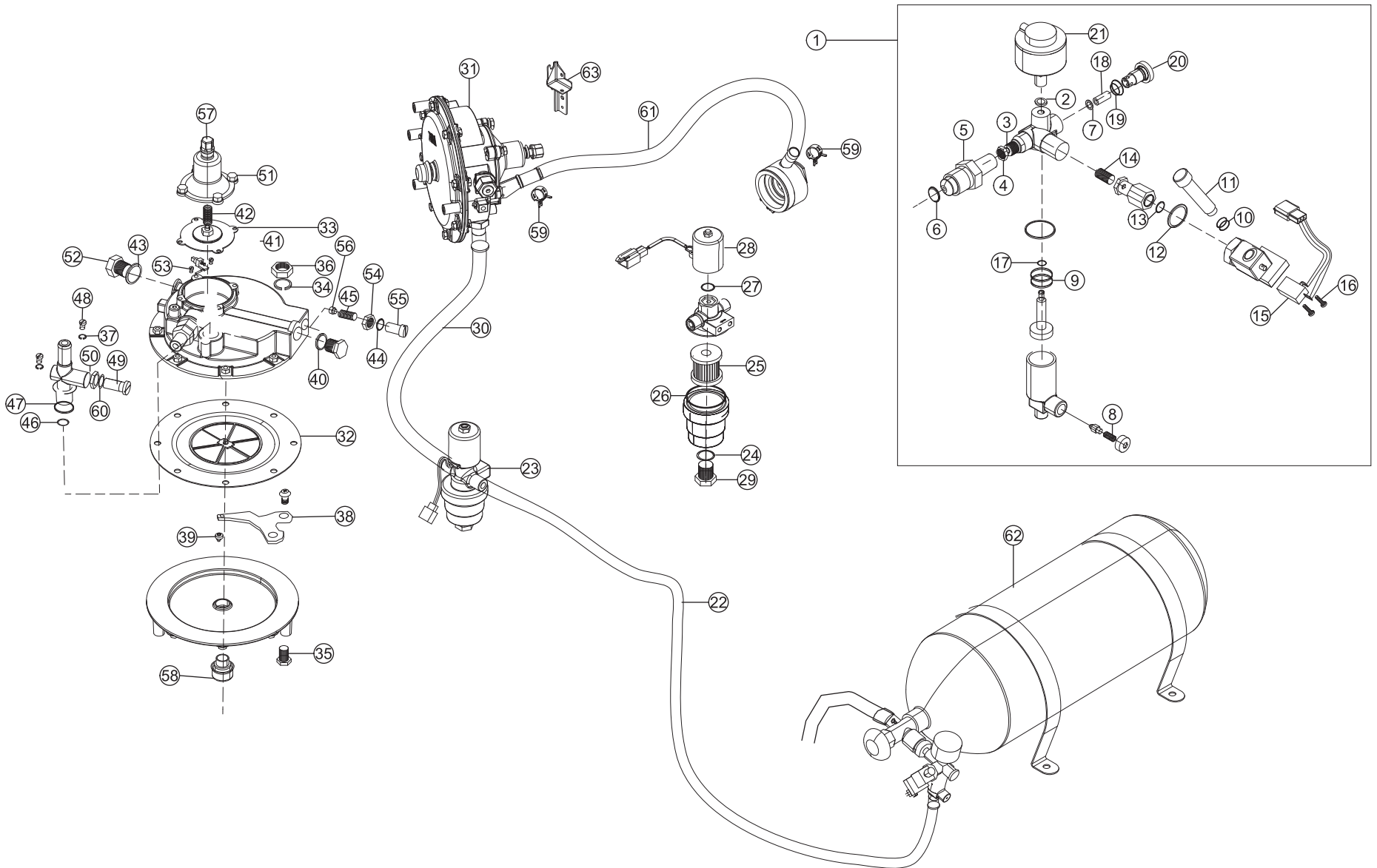
REF NO.	PART NO.	DESCRIPTION	Q/VH	MODEL**	VARIANT*	REF NO.	PART NO.	DESCRIPTION	Q/VH	MODEL**	VARIANT*
47	G5140310	O Ring Ventilation Box On Tank Small	1	A	L						
48	G5140100	Cover Vapour Box LPG	1	A	L						
49	G5140110	Ventilation Box LPG	1	A	L						
50	G5140120	O Ring Cover Vapour Box Big	1	A	L						
51	A054190	Hose Clip Hose LPG	4	A	L						
52	G5140210	Dust Cover Filler Valve	1	A	L						
53	G5140200	Holder Filler Valve	1	A	L						
54	G5200310	Punched Washer Reducer Mtg	1	A	L						
55	G5110200	Spring Washer Reducer Mtg	1	A	L						
56	G5200410	Hex Nut Reducer Mtg	1	A	L						
57	G5200060	Screw Mtg Filler Valve	2	A	L						
58	G5140080	LPG Cylinder 200X550	1	A	L						
59	G5140720	Gasket Multivalve	1	A	L						
60	G4320130	Idle & Power Screw Protection Cap	2	A	L						
61	G4320220	C Clamp Elbow Reducer	1	A	L						
62	G4320250	Bush Elbow	1	A	L						

\*\* A - Common 2 & 4 Stroke models , 2S - Only 2 Stroke, 4S Only 4 Stroke

\* (A - All Variants) (P - Petrol ES) (L - LPG) (C - CNG) (LSM -LPG Single Mode)

# CNG FUEL SYSTEM

Figure 27



## CNG FUEL SYSTEM

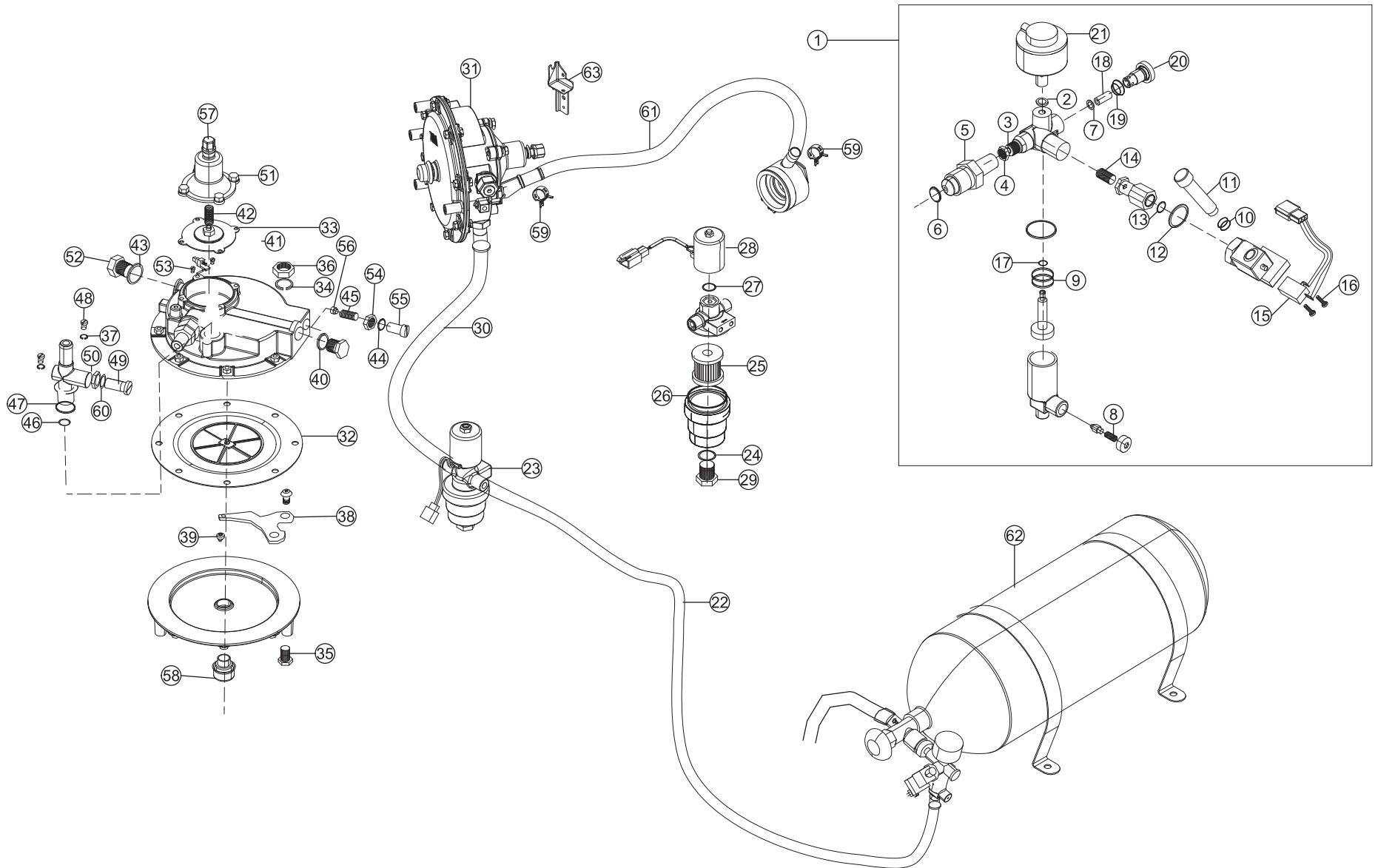
REF NO.	PART NO.	DESCRIPTION	Q/VH	MODEL**	VARIANT*	REF NO.	PART NO.	DESCRIPTION	Q/VH	MODEL**	VARIANT*
1	G5140450	First Stage Reduction Unit With Electron	1	A	C	25	G5141790	Paper Filter Solenoid CNG	1	A	C
2	G5141050	Copper Washer Mtg Pressure Gauge	2	A	C	26	G5141800	O Ring Bowl CNG Solenoid	1	A	C
3	G5141060	Copper Washer Mtg Connector	1	A	C	27	G5141820	O Ring Plunger	1	A	C
4	G5141070	Lock Nut	1	A	C	28	G5140840	Coil Solenoid CNG	1	A	C
5	G5141080	Coupling Screw	1	A	C	29	G5141770	Drain Bolt Solenoid Filter	1	A	C
6	G5141090	O Ring Connector	2	A	C	30	G5140530	Flexible Hose Assy 2 (245Mm)	1	A	C
7	G5141220	Nylon Washer	1	A	C	31	G4140100	2Nd Stage CNG Reducer 4S	1	4S	C
8	G5141110	Spring Relief Valve	1	A	C	31A	G5140490	2Nd Stage CNG Reducer 2S	1	2S	C
9	G5141120	O Ring Cylinder Piston	2	A	C	32	G5141290	Diaphragm Sub Assy 1St Stage	1	A	C
10	G5141130	O Ring Filler Dust Plug	2	A	C	33	G5141300	Small Diaphragm 2Nd Stage	1	A	C
11	G5141150	Dust Plug	1	A	C	34	G5141330	Spring Washer M5 Reducer Cover Mtg	7	A	C
12	G5141160	Sealing Washer	1	A	C	35	G5141340	Hex Screw M5X16 Reducer Cover Mtg	7	A	C
13	G5141170	O Ring Filler Valve Retainer Joint	1	A	C	36	G5141350	Nut M5 Reducer Cover Mtg	7	A	C
14	G5141180	Spring Filler Valve Retainer	1	A	C	37	G5141360	Washer - Out Let Tube Mtg	2	A	C
15	G5141200	Micro Switch	1	A	C	38	G5141370	Lever 1St Stage Diaphragm	1	A	C
16	G5141210	Philips Head Screw M3X20	2	A	C	39	G5141380	Pad Lever 1St Stage Diaphragm	1	A	C
17	G5141100	O Ring Red Piston Cylinder	1	A	C	40	G5141400	Copper Washer Plug Reducer	1	A	C
18	G5320970	Brass Micro Filter	1	A	C	41	G5141420	Cheese Head Screw 1St Stage Lever Mtg	2	A	C
19	G5141240	O Ring Cap Brass Filter Tube	1	A	C	42	G5141430	Spring 2Nd Stage Diaphragm	1	A	C
20	G5321180	Retainer Brass Filter Cap	1	A	C	43	G5141440	Copper Washer Inlet CNG	1	A	C
21	G5141270	Pressure Gauge With Sensor	1	A	C	44	G5141450	O Ring Idling Screw	1	A	C
22	G5140520	Flexible Hose Assy 1 (1570Mm)	1	A	C	45	G5321000	Spring Idling Screw	1	A	C
23	G5140500	Filter Gas Solenoid Valve	1	A	C	46	G5141470	O Ring Outlet Tube Stem	1	A	C
24	G5140780	O Ring Drain Plug Solenoid	1	A	C	47	G5141480	O Ring Outlet Tube Joint	1	A	C

\*\* A - Common 2 & 4 Stroke models , 2S - Only 2 Stroke, 4S Only 4 Stroke

\* (A - All Variants) (P - Petrol ES) (L - LPG) (C - CNG) (LSM -LPG Single Mode)

# CNG FUEL SYSTEM

Figure 27



## CNG FUEL SYSTEM

REF NO.	PART NO.	DESCRIPTION	Q/VH	MODEL**	VARIANT*	REF NO.	PART NO.	DESCRIPTION	Q/VH	MODEL**	VARIANT*
48	G5141490	Cheese Head Screw Out Let Tube Mtg	2	A	C						
49	G5320990	Flow Adjusting Screw	1	A	C						
50	G5141510	Lock Nut Flow Adjusting Screw	1	A	C						
51	G5141530	Hex Screw M6X12 Stage Reducer Cover Mtg	4	A	C						
52	G5141540	Lock Nut Inlet Tube	1	A	C						
53	G5141550	Hex Screw 2St Stage Diaphragm Lever	1	A	C						
54	G5320940	Lock Nut Idling Screw	1	A	C						
55	G5320980	Idling Screw CNG Reducer	1	A	C						
56	G5141580	Spring Guide Idling Screw	1	A	C						
57	G5141590	Breather Assy - 1	1	A	C						
58	G5141600	Breather Assy - 2	1	A	C						
59	G5141630	Clip For Low Pressure Hose	2	A	C						
60	G5321170	O Ring Flow Adjusting Screw	1	A	C						
61	G4140390	Hose Assembly, Low Pressure CNG	1	A	C						
62	G5141980	Cylinder Assy	1	A	C						
63	G4120340	Bracket CNG Reducer MTG New	1	A	C						

\*\* A - Common 2 & 4 Stroke models , 2S - Only 2 Stroke, 4S - Only 4 Stroke

\* (A - All Variants) (P - Petrol ES) (L - LPG) (C - CNG) (LSM -LPG Single Mode)

## PART NUMBER INDEX

Part No	Page No	Fig No	Ref No
330028	89	25	24
335558	79	22	46
3087350	51	11	13A
8200120	79	22	43
8200120	79	22	45
407113000	71	18	54
420305700	79	22	38
420305700	79	22	42
420462700	79	22	35
420515700	91	26	5
P1200060	55	12	17
0074010	21	1	17
0074010	25	2	11
0248010	43	8	17
0330028	67	17	7
0330028	77	21	11
0330028	89	25	27
0330038	67	17	9
0330048	67	17	41
0330048	77	21	9
0330048	81	23	22
0330308	45	9	4
0330308	65	16	36
0330308	77	21	3
0330318	25	2	41
0330318	31	3	2
0330318	45	9	16
0330318	55	12	13
0330328	69	18	31
0330408	55	12	8

Part No	Page No	Fig No	Ref No
0330408	79	22	36
0330408	79	22	40
0330408	87	24	54
0330418	55	12	23
0331268	67	17	34
0331298	69	18	30
0331580	65	16	10
0331580	75	20	19
0331708	59	14	8
0331708	89	25	41
0331718	45	9	1
0331718	47	10	17
0331838	77	21	15
0332068	71	18	58
0332068	73	19	26
0332275	65	16	13
0332275	79	22	18
0334234	21	1	14
0334548	25	2	42
0334548	67	17	13
0335024	39	6	14
0335024	77	21	23
0335558	89	25	42
0335578	71	18	59
0335578	79	22	37
0335578	79	22	41
0335578	87	24	53
0335678	59	14	4
0335698	69	18	3
0335698	77	21	12

Part No	Page No	Fig No	Ref No
0336018	55	12	12
0336088	59	14	25
0339480	21	1	19
0339480	25	2	18
3034050	21	1	43
3034050	43	8	31
3044070	21	1	6
3044070	29	2	99
3087110	51	11	23A
3148540	57	13	20
3259010	55	12	20
409047000	59	14	23
414147000	57	13	18
420008700	69	18	33
420015700	61	15	36
420015700	69	18	7
420305700	55	12	7
420452700	27	2	69
420452700	33	4	6
420452700	43	8	27
420454700	43	8	2
420454700	69	18	21
420454700	75	20	16
420462700	61	15	44
420462700	85	24	6
420462700	87	24	52
420477700	69	18	41
420477700	73	19	12
420477700	75	20	12
420957700	59	14	24A

Part No	Page No	Fig No	Ref No
7100310	77	21	19
8200120	65	16	40
8200300	27	2	58
A054190	93	26	51
A128730	79	22	30
A200190	61	15	35
A200190	69	18	8
F200098	73	19	28
G1020010	25	2	22
G1070030	37	5	8
G1070180	37	5	9
G2010110	31	3	9
G2010140	31	3	6
G2010170	31	3	7
G2010200	31	3	16
G2010210	31	3	15
G2010440	31	3	11
G2010450	31	3	13
G2020010	21	1	5
G2020160	31	3	10
G2020840	53	11	38
G2030230	69	18	34
G2040730	47	10	12
G2040810	47	10	11
G2041100	47	10	6
G2041380	47	10	3A
G2041430	47	10	8
G2041540	47	10	8A
G2041620	47	10	6A
G2041640	47	10	10

Part No	Page No	Fig No	Ref No
G2041680	47	10	4
G2041690	47	10	4B
G2050289	55	12	9
G2051149	55	12	19
G2051260	55	12	18
G2060040	41	7	1
G2080010	69	18	23A
G2080020	69	18	23
G2080030	69	18	22
G2080040	69	18	25
G2080050	69	18	19
G2080080	69	18	28
G2080540	43	8	3
G2080540	69	18	20
G2080540	75	20	15
G2080740	43	8	4
G2081160	21	1	44
G2081180	43	8	10A
G2081210	43	8	13
G2081220	43	8	11
G2081230	43	8	12
G2081240	43	8	8
G2081250	69	18	18
G2081400	43	8	15
G2081410	43	8	14
G2081420	43	8	16
G2081479	43	8	34
G2081570	41	7	21
G2081580	39	6	1
G2081600	39	6	6



## PART NUMBER INDEX

Part No	Page No	Fig No	Ref No
G2081610	39	6	3
G2081620	41	7	22
G2081630	39	6	20
G2081659	39	6	21
G2081660	39	6	13
G2081680	39	6	11
G2081690	39	6	12
G2081700	39	6	10
G2081710	39	6	19
G2081750	39	6	5
G2081800	67	17	22
G2081880	21	1	26
G2081920	69	18	24
G2082110	41	7	9
G2082140	41	7	7
G2082190	25	2	30
G2082190	67	17	29
G2082200	25	2	28
G2082200	67	17	28
G2082210	25	2	24
G2082210	67	17	26
G2082220	25	2	20
G2082220	67	17	32
G2082230	67	17	33
G2082260	27	2	85
G2082260	67	17	23
G2082290	43	8	29
G2082340	39	6	15
G2082350	41	7	18
G2082360	39	6	18

Part No	Page No	Fig No	Ref No
G2082370	41	7	19
G2082380	41	7	13
G2082390	27	2	52
G208250	43	8	32
G2090060	69	18	12
G2090100	71	18	46
G2090320	69	18	10A
G2090330	69	18	10
G2100010	61	15	18
G2100170	61	15	22
G2100200	61	15	27
G2100210	61	15	21
G2110020	77	21	33
G2110060	77	21	1
G2110120	77	21	7
G2110130	77	21	6
G2110190	77	21	24
G2110210	75	20	17A
G2110220	77	21	29
G2110320	73	19	3
G2110320	75	20	26
G2110330	73	19	5
G2110330	75	20	8
G2110350	73	19	8
G2110350	75	20	14
G2110360	73	19	9
G2110360	75	20	10
G2110370	73	19	10
G2110370	75	20	13
G2110390	73	19	17

Part No	Page No	Fig No	Ref No
G2110390	75	20	3
G2110420	77	21	18
G2110440	75	20	28
G2110530	75	20	2
G2110570	73	19	14
G2110570	75	20	1
G2110710	73	19	13
G2110750	67	17	44
G2110770	67	17	8
G2110790	67	17	10
G2110910	75	20	24
G2110920	75	20	18
G2110940	67	17	11
G2111090	75	20	7
G2111170	75	20	21
G2111180	75	20	17
G2111190	75	20	22
G2111280	77	21	25
G2111290	73	19	21
G2111310	73	19	15
G2111320	73	19	16
G2111340	73	19	4
G2111340	75	20	27
G2111460	73	19	1
G2111500	77	21	22
G2111550	77	21	21
G2111570	77	21	26
G2111580	77	21	30
G2111610	77	21	8
G2111720	77	21	20

Part No	Page No	Fig No	Ref No
G2111860	73	19	6
G2111860	75	20	25
G2150010	63	15	48
G2150030	61	15	6
G2150070	61	15	12
G2150080	61	15	11
G2150110	61	15	10
G2150120	61	15	5
G2150620	61	15	9
G2150630	61	15	4
G2160040	85	24	41
G2160250	77	21	32
G2160320	73	19	27
G2160340	77	21	31
G2160450	65	16	17
G2160460	87	24	48
G2160500	85	24	47
G2180260	69	18	43
G2180270	69	18	44
G2180810	23	1	61
G2180820	23	1	49
G2180910	45	9	3
G2200020	39	6	4
G2200050	39	6	22
G2200060	59	14	6
G2200160	69	18	2
G2200170	61	15	34
G2200170	69	18	6
G2200210	69	18	4
G2200220	69	18	5

Part No	Page No	Fig No	Ref No
G2200250	61	15	3
G2200310	21	1	36
G2200310	27	2	82
G2200310	43	8	33
G2200320	21	1	40
G2200320	27	2	88
G2200330	21	1	7
G2200340	21	1	37
G2200340	27	2	83
G2200350	21	1	39
G2200350	27	2	87
G2200360	21	1	32
G2200360	27	2	77
G2200360	43	8	1
G2200430	31	3	8
G2200440	61	15	25
G2200440	69	18	16
G2200460	73	19	18
G2200460	73	19	30
G2200460	75	20	4
G2200470	69	18	9
G2200480	39	6	2
G2200530	25	2	26
G2200530	27	2	92
G2200530	37	5	15
G2200530	67	17	25
G2200550	35	4	56
G2200550	41	7	20
G2200550	43	8	5
G2200550	47	10	16

## PART NUMBER INDEX

Part No	Page No	Fig No	Ref No
G2200570	61	15	23
G2200590	21	1	2
G2200610	81	23	23
G2200660	61	15	24
G2200680	61	15	20
G2200680	69	18	13
G2200690	39	6	9
G2200760	21	1	8
G2200780	31	3	1
G2200810	69	18	39
G2200970	25	2	27
G2200970	67	17	27
G2200980	25	2	25
G2200980	67	17	31
G2200990	27	2	86
G2200990	67	17	24
G2201000	39	6	7
G2201030	67	17	19
G2201100	25	2	29
G2201100	67	17	30
G2201130	21	1	3
G2201140	31	3	12
G2320030	31	3	6A
G2320040	31	3	6B
G2320050	31	3	7A
G2320060	31	3	7B
G2320340	61	15	30
G2320370	61	15	39
G2320380	61	15	37
G2320390	61	15	38

Part No	Page No	Fig No	Ref No
G2320400	61	15	40
G2320430	71	18	47
G2320440	71	18	48
G2320540	61	15	19
G2320720	51	11	11
G2320730	51	11	24
G2320740	51	11	23
G2320750	51	11	10
G2320770	51	11	2
G2320790	51	11	18
G2320810	51	11	5
G2320820	51	11	16
G2320830	53	11	40
G2320850	53	11	39
G2320890	51	11	6
G2320940	57	13	27
G2320950	57	13	26
G2320960	51	11	4
G2320960	53	11	33A
G3010020	31	3	4
G3030090	43	8	19
G3030110	21	1	23
G3030140	21	1	4
G3030150	43	8	18
G3030160	21	1	31
G3030240	21	1	35
G3030250	21	1	10
G3040010	47	10	20A
G3040020	53	11	46
G3050189	55	12	9B

Part No	Page No	Fig No	Ref No
G3060040	23	1	51
G3060060	81	23	15
G3060170	81	23	11C
G3060190	23	1	53
G3060200	23	1	56
G3060200	35	4	66
G3070020	37	5	16
G3070050	27	2	67
G3070050	37	5	14
G3070060	37	5	1
G3070070	37	5	2
G3070080	37	5	17
G3070100	37	5	3
G3070120	37	5	13
G3070220	25	2	31
G3070220	45	9	6
G3070240	25	2	32
G3070240	45	9	7
G3070250	21	1	24
G3070250	25	2	37
G3070260	45	9	10
G3070290	37	5	12
G3070300	37	5	11
G3070310	37	5	10
G3080070	25	2	19
G3080070	41	7	12
G3080170	41	7	5
G3080190	41	7	14
G3080200	41	7	3
G3080210	41	7	6

Part No	Page No	Fig No	Ref No
G3080220	43	8	6
G3080260	27	2	95
G3080260	45	9	12
G3080270	27	2	94
G3080270	45	9	14
G3080280	45	9	11
G3080290	25	2	40
G3080290	45	9	15
G3080300	27	2	93
G3080300	45	9	13
G3080310	39	6	8
G3080320	21	1	20
G3080320	27	2	68
G3080359	23	1	55
G3080359	35	4	65
G3080370	45	9	5
G3080380	21	1	9
G3080490	23	1	57
G3110050	77	21	17
G3120200	77	21	13
G3120240	77	21	10
G3120900	63	15	51A
G3120970	63	15	49
G31301507H	89	25	6
G3130280	79	22	16
G3130280	89	25	13
G31304407H	89	25	2
G31305307H	89	25	15
G3150250	59	14	21
G3150280	61	15	31

Part No	Page No	Fig No	Ref No
G3150310	61	15	7
G3150390	61	15	33
G3150400	61	15	32
G3160130	57	13	10
G3160210	57	13	21
G3160340	83	23	41E
G3160350	83	23	42E
G3160470	83	23	59
G3160550	65	16	25
G3160560	65	16	21B
G3160610	65	16	15A
G3160660	81	23	18B
G3160680	65	16	41
G3160690	79	22	29
G3160710	83	23	41A
G3160720	83	23	42A
G3160730	83	23	47
G3180150	23	1	50
G3180229	21	1	1A
G3180229	25	2	35
G3180230	23	1	54
G3180230	33	4	31
G3200030	63	15	50
G3200050	21	1	34
G3200070	27	2	63
G3200070	37	5	6
G3200180	43	8	28
G3200180	43	8	21
G3200190	43	8	22
G3200200	21	1	38

## PART NUMBER INDEX

Part No	Page No	Fig No	Ref No
G3200200	43	8	20
G3200200	43	8	25
G3200210	31	3	18
G3200210	33	4	14
G3200210	45	9	17
G3200220	43	8	9
G3200240	41	7	8
G3320080	31	3	10A
G3320090	31	3	10B
G3320120	51	11	9C
G3320140	51	11	10C
G3320150	51	11	17B
G4010040	25	2	23
G4010050	33	4	27
G4010060	33	4	7
G4010070	35	4	61
G4010130	33	4	2
G4010140	35	4	64
G4010170	33	4	21
G4010180	33	4	18
G4011310	33	4	29
G4020080	27	2	73
G4020090	27	2	71
G4020100	27	2	76
G4030010	27	2	78
G4030030	25	2	16
G4030050	25	2	38
G4030070	27	2	70
G4030080	27	2	56
G4040010	47	10	22

Part No	Page No	Fig No	Ref No
G4040020	47	10	26
G4040030	47	10	1
G4040070	47	10	3C
G4040090	47	10	31
G4040100	47	10	32
G4040110	47	10	30
G4040150	47	10	27
G4040160	47	10	21
G4040190	47	10	20
G4040260	47	10	28
G4040280	53	11	44
G4040299	47	10	3B
G4040310	53	11	43
G4040330	47	10	19
G4040340	35	4	53
G4040440	35	4	54
G4040440	47	10	7
G4040460	35	4	52
G4040510	25	2	36
G4040520	49	10	43
G4040530	49	10	40
G4040550	47	10	34
G4040570	35	4	49
G4040580	47	10	4A
G4040600	49	10	38
G4040610	47	10	4C
G4040620	53	11	42
G4040690	47	10	3D
G4041610	53	11	47
G4050010	55	12	3

Part No	Page No	Fig No	Ref No
G4050259	55	12	6
G4050260	55	12	1
G4050319	55	12	10A
G4050369	55	12	10
G4050380	55	12	4
G4050390	55	12	1A
G4060040	81	23	11
G4060060	35	4	60
G4060080	81	23	17
G4060170	21	1	41
G4070010	27	2	91
G4070230	27	2	65
G4070240	25	2	34
G4070250	25	2	7
G4070260	25	2	9
G4070270	25	2	1
G4070280	25	2	6
G4070290	25	2	3
G4070300	25	2	4
G4070310	25	2	5
G4070320	27	2	90
G4070330	25	2	8
G4070340	25	2	2
G4070500	25	2	14
G4080010	21	1	12
G4080020	27	2	50
G4080100	27	2	61
G4080110	39	6	1A
G4080120	41	7	21A
G4080130	27	2	60

Part No	Page No	Fig No	Ref No
G4080150	25	2	13
G4080160	29	2	98
G4080200	25	2	15
G4080220	27	2	84
G4080230	43	8	10
G4080240	27	2	48
G4080250	43	8	35
G4080260	25	2	45
G4080290	25	2	33
G4080290	45	9	18
G4080300	47	10	33
G4080400	27	2	55
G4120340	97	27	63
G4140070	91	26	25A
G4140090	91	26	1
G4140100	95	27	31
G4140140	91	26	32
G4140390	97	27	61
G4150040	59	14	5A
G4150060	59	14	18
G4150080	59	14	19
G4160010	83	23	41C
G4160020	83	23	42B
G4160100	83	23	41B
G4160110	83	23	42C
G4160130	83	23	41
G4160140	83	23	42
G4160170	29	2	100
G4160250	65	16	14
G4160290	57	13	10A

Part No	Page No	Fig No	Ref No
G4160420	57	13	17
G4170010	71	18	45A
G4170020	69	18	1
G4180030	33	4	35
G4180040	33	4	47
G4180050	33	4	26
G4180060	33	4	34
G4180310	33	4	36
G4180860	23	1	60
G4180860	35	4	57
G4180940	21	1	1
G4180940	25	2	35A
G4200010	27	2	51
G4200020	27	2	80
G4200030	47	10	2
G4200050	25	2	43
G4200100	25	2	44
G4200100	45	9	8
G4210110	65	16	32
G42200708L	81	23	1A
G4320090	51	11	10A
G4320100	51	11	19A
G4320110	51	11	5A
G4320120	51	11	9A
G4320130	93	26	60
G4320140	51	11	13
G4320150	51	11	11A
G4320170	53	11	41
G4320180	53	11	36
G4320190	29	2	103

## PART NUMBER INDEX

Part No	Page No	Fig No	Ref No
G4320200	29	2	106
G4320220	93	26	61
G4320250	93	26	62
G4320260	35	4	58
G4320270	35	4	59
G4320300	51	11	10B
G4320310	51	11	5B
G4320430	81	23	18A
G4320540	73	19	2A
G4320550	73	19	2
G4320560	23	1	67
G4320570	23	1	68
G4320580	23	1	69
G5010020	31	3	5
G5010030	31	3	17
G5040010	53	11	45
G5040020	47	10	3
G5040040	45	9	20
G5040050	45	9	22
G5040060	45	9	23
G5040070	55	12	21
G5040080	45	9	21
G5050019	55	12	9A
G5050020	55	12	2A
G5050030	55	12	2
G5060020	81	23	11A
G5060070	23	1	62
G5060210	81	23	17A
G5060220	23	1	63
G5060240	23	1	64

Part No	Page No	Fig No	Ref No
G5060250	23	1	65
G5060260	23	1	66
G5060290	81	23	10
G5080300	69	18	27
G5080320	69	18	26
G5080380	45	9	2
G5090010	69	18	11
G5100010	61	15	29
G5100030	61	15	28
G5110080	75	20	20
G5110200	75	20	5
G5110200	89	25	31
G5110200	93	26	55
G5110210	69	18	37
G5110210	79	22	24
G5110210	79	22	33
G5110210	81	23	2
G5110210	89	25	33
G5120149	89	25	32
G5120169	89	25	37
G5120659	85	24	18
G5120669	85	24	38
G5120769	81	23	5
G5120779	79	22	20
G5120830	79	22	11
G5120840	67	17	5
G5120920	67	17	17
G5120970	67	17	15
G5120980	67	17	18
G5120990	67	17	37

Part No	Page No	Fig No	Ref No
G5121630	67	17	35
G5121640	67	17	1
G5121650	67	17	38
G5121660	67	17	2
G5121670	67	17	43
G5121680	67	17	6
G5121700	67	17	39
G5121710	67	17	40
G5121730	77	21	14
G5121810	85	24	42
G5121820	85	24	40
G5121830	65	16	5
G5121830	67	17	3
G5121850	67	17	36
G5121870	79	22	3
G5122080	79	22	12
G5122220	89	25	25
G5122450	69	18	40
G5122510	79	22	9
G5122610	79	22	2
G5122610	83	23	40
G5122640	79	22	27
G5122710	67	17	21
G5122810	79	22	6
G5122870	89	25	21A
G5122880	89	25	22A
G5122950	89	25	21
G5122960	89	25	22
G5123160	67	17	42
G5123170	89	25	40A

Part No	Page No	Fig No	Ref No
G5123180	89	25	40
G51231903D	79	22	26
G5123250	85	24	34
G5123290	79	22	8
G5123310	79	22	7
G5123350	85	24	12
G5123400	81	23	27
G5123580	85	24	39
G5123660	89	25	34
G5123670	89	25	35
G5123720	79	22	21
G5123740	79	22	28
G5123830	81	23	19
G51239603D	79	22	26A
G51239803D	79	22	26B
G5124029	71	18	60
G5124040	67	17	4
G5124050	67	17	20
G5124189	71	18	56
G5124199	71	18	55
G51300207H	89	25	4
G5140030	57	13	22
G5140060	57	13	6
G5140070	57	13	2
G5140080	93	26	58
G5140090	91	26	33
G5140100	93	26	48
G5140110	93	26	49
G5140120	93	26	50
G5140130	91	26	43

Part No	Page No	Fig No	Ref No
G5140140	91	26	42
G5140150	91	26	45
G5140180	91	26	44
G5140200	93	26	53
G5140210	93	26	52
G5140220	91	26	26
G5140230	91	26	27
G5140240	91	26	28
G5140250	91	26	1A
G5140260	91	26	25
G5140270	91	26	29
G5140280	91	26	30
G5140310	93	26	47
G5140330	57	13	3
G5140340	57	13	14
G5140380	57	13	9
G5140400	57	13	15
G5140410	57	13	16
G5140450	95	27	1
G5140460	57	13	25
G5140490	95	27	31A
G5140500	95	27	23
G5140520	95	27	22
G5140530	95	27	30
G5140560	91	26	31
G5140620	57	13	23
G5140650	91	26	39
G5140660	91	26	38
G5140670	91	26	40
G5140680	57	13	13

## PART NUMBER INDEX

Part No	Page No	Fig No	Ref No
G5140680	91	26	36
G5140690	91	26	35
G5140700	91	26	37
G5140720	93	26	59
G5140730	91	26	34
G5140750	91	26	46
G5140770	91	26	41
G5140780	95	27	24
G5140790	91	26	2
G5140800	91	26	3
G5140810	91	26	4
G5140830	91	26	6
G5140840	91	26	7
G5140840	95	27	28
G5140850	91	26	8
G5140860	91	26	9
G5140870	91	26	10
G5140900	91	26	11
G5140910	91	26	12
G5140920	91	26	13
G5140930	91	26	14
G5140940	91	26	15
G5140950	91	26	16
G5140960	91	26	17
G5140970	91	26	18
G5140980	91	26	19
G5140990	91	26	20
G5141000	91	26	21
G5141010	91	26	22
G5141020	91	26	23

Part No	Page No	Fig No	Ref No
G5141030	91	26	24
G5141040	57	13	17A
G5141050	95	27	2
G5141060	95	27	3
G5141070	95	27	4
G5141080	95	27	5
G5141090	95	27	6
G5141100	95	27	17
G5141110	95	27	8
G5141120	95	27	9
G5141130	95	27	10
G5141150	95	27	11
G5141160	95	27	12
G5141170	95	27	13
G5141180	95	27	14
G5141200	95	27	15
G5141210	95	27	16
G5141220	95	27	7
G5141240	95	27	19
G5141270	95	27	21
G5141290	95	27	32
G5141300	95	27	33
G5141330	95	27	34
G5141340	95	27	35
G5141350	95	27	36
G5141360	95	27	37
G5141370	95	27	38
G5141380	95	27	39
G5141400	95	27	40
G5141420	95	27	41

Part No	Page No	Fig No	Ref No
G5141430	95	27	42
G5141440	95	27	43
G5141450	95	27	44
G5141470	97	27	46
G5141480	97	27	47
G5141490	97	27	48
G5141510	97	27	50
G5141530	97	27	51
G5141540	97	27	52
G5141550	97	27	53
G5141580	97	27	56
G5141590	97	27	57
G5141600	97	27	58
G5141630	97	27	59
G5141750	57	13	1A
G5141760	57	13	1
G5141770	95	27	29
G5141790	95	27	25
G5141800	95	27	26
G5141820	95	27	27
G5141880	57	13	12
G5141890	57	13	19
G5141980	97	27	62
G5150010	59	14	2
G5150090	59	14	20
G5150130	59	14	1
G5150160	59	14	12
G5150210	59	14	17
G5150230	59	14	10
G5150240	59	14	11

Part No	Page No	Fig No	Ref No
G5150250	59	14	15
G5150290	61	15	1
G5150300	61	15	2
G5150350	59	14	5
G5150390	59	14	26
G5150400	59	14	27
G5150420	59	14	28
G5150430	73	19	29
G5150450	73	19	19
G5150470	59	14	2A
G5150530	59	14	7
G5150570	59	14	22
G5160010	65	16	12
G5160030	59	14	16
G5160050	85	24	32
G5160060	85	24	2
G5160070	85	24	1
G5160080	85	24	17
G5160090	85	24	8
G5160100	85	24	14
G5160110	85	24	15
G5160140	65	16	20
G5160150	73	19	23
G5160200	85	24	7
G5160210	65	16	15
G5160220	85	24	33
G5160270	65	16	21A
G5160280	83	23	41D
G5160290	83	23	42D
G5160330	85	24	20

Part No	Page No	Fig No	Ref No
G5160340	85	24	36
G5160350	85	24	10
G5160360	85	24	26
G5160370	85	24	37
G5160380	85	24	9
G5160390	87	24	60
G5160450	65	16	28
G5160490	85	24	23
G5160500	85	24	24
G5160510	85	24	25
G5160550	81	23	18
G5160560	85	24	29
G5160590	31	3	14
G5160660	85	24	13
G5160670	87	24	61
G5160700	87	24	59
G5160760	83	23	46
G5160790	65	16	21
G5160930	81	23	25
G5161110	65	16	33
G5161210	73	19	32
G5170010	69	18	1A
G5170020	71	18	49
G5170030	71	18	50
G5170040	71	18	51
G5170050	71	18	45
G5170070	67	17	12
G5170080	73	19	22
G5200060	93	26	57
G5200080	89	25	23A

## PART NUMBER INDEX

Part No	Page No	Fig No	Ref No
G5200090	89	25	23
G5200100	89	25	26
G5200110	73	19	25
G5200160	89	25	39
G5200170	61	15	15
G5200180	69	18	29
G5200180	73	19	7
G5200180	75	20	23
G5200220	87	24	55
G5200220	89	25	17
G5200270	81	23	3
G5200280	81	23	4
G5200280	89	25	11
G5200290	61	15	42
G5200290	77	21	5
G5200290	81	23	13
G5200300	57	13	4
G5200300	65	16	7
G5200310	89	25	30
G5200310	93	26	54
G5200320	81	23	16
G5200320	89	25	7
G5200330	69	18	38
G5200330	79	22	25
G5200330	79	22	34
G5200330	89	25	12
G5200340	59	14	9
G5200340	61	15	43
G5200340	65	16	19
G5200340	65	16	35

Part No	Page No	Fig No	Ref No
G5200340	73	19	20
G5200340	77	21	4
G5200340	81	23	12
G5200340	85	24	30
G5200350	65	16	6
G5200350	65	16	18
G5200350	65	16	34
G5200350	87	24	58
G5200360	65	16	23
G5200360	85	24	19
G5200360	85	24	21
G5200380	89	25	10
G5200390	61	15	16
G5200400	67	17	14
G5200400	69	18	36
G5200400	69	18	42
G5200400	79	22	23
G5200400	79	22	32
G5200410	59	14	3
G5200410	75	20	6
G5200410	89	25	29
G5200410	93	26	56
G5200430	81	23	14
G5200490	73	19	11
G5200490	75	20	11
G5200530	71	18	54A
G5200540	71	18	54B
G5200550	69	18	17
G5200560	61	15	17
G5200560	69	18	14

Part No	Page No	Fig No	Ref No
G5200570	69	18	14A
G5210010	89	25	38A
G5210020	89	25	38
G5210310	65	16	24
G5210330	65	16	38
G5210350	65	16	42
G52200105F	85	24	35A
G5220140	85	24	4
G5220150	85	24	5
G5220170	79	22	13
G5220240	79	22	44
G5220270	81	23	24
G52206003D	81	23	20
G52206505F	81	23	26
G5220679	83	23	56
G52206903D	61	15	47
G52208905F	81	23	7
G5220910	79	22	10
G5220920	79	22	1
G52210397H	89	25	5
G52210497H	89	25	14
G5221110	79	22	15
G5221140	81	23	32
G5221250	79	22	14
G5221450	89	25	20
G52214903D	81	23	1
G5221560	81	23	21A
G5221640	81	23	34
G5221660	81	23	6
G5221780	85	24	45

Part No	Page No	Fig No	Ref No
G5221970	85	24	31
G5221980	85	24	3
G5222050	89	25	28
G5222230	83	23	54
G52222739	89	25	16
G5222440	81	23	33
G5222440	81	23	38
G52225007H	79	22	4
G52226505F	85	24	35
G5222670	87	24	49
G5222680	87	24	50
G5222690	87	24	51
G5222750	89	25	36
G5230100	89	25	9
G5230140	65	16	1
G5230150	65	16	3
G5230180	65	16	16
G5230190	65	16	4
G5230280	61	15	41
G5230290	65	16	27
G5230300	65	16	26
G5230310	79	22	5
G5230320	65	16	9
G5230330	65	16	8
G5230360	79	22	19
G5230370	65	16	31
G5230380	65	16	30
G5230410	83	23	57
G5230420	83	23	58
G5230440	67	17	16

Part No	Page No	Fig No	Ref No
G5230450	87	24	57
G5230470	81	23	28
G5230480	87	24	56
G5230500	61	15	8
G5230510	61	15	8A
G5230520	83	23	49
G5230530	83	23	50
G5230540	83	23	51
G5230550	79	22	31
G5230590	71	18	57
G52320570	57	13	11
G5300010	65	16	32A
G5300040	65	16	22
G5300050	79	22	17
G5320030	77	21	40
G5320060	77	21	39
G5320070	77	21	36
G5320090	77	21	38
G5320150	71	18	53
G5320170	71	18	52
G5320350	77	21	37
G5320370	65	16	11
G5320380	81	23	29
G5320390	81	23	21
G5320400	63	15	51
G5320410	65	16	2
G5320430	81	23	11B
G5320480	51	11	19B
G5320540	77	21	34
G5320550	77	21	35

## PART NUMBER INDEX

Part No	Page No	Fig No	Ref No
G5320610	73	19	31
G5320610	75	20	9
G5320620	87	24	62
G5320630	87	24	63
G5320640	87	24	64
G5320650	87	24	65
G5320690	51	11	9B
G5320710	51	11	3
G5320810	83	23	41F
G5320820	83	23	42F
G5320940	97	27	54
G5320970	95	27	18
G5320980	97	27	55
G5320990	97	27	49
G5321000	95	27	45
G5321170	97	27	60
G5321180	95	27	20
K140460	57	13	8
K140820	47	10	18
K140820	57	13	7
K200060	61	15	26
K200060	69	18	15
K200300	65	16	29
K3040230	45	9	28
K3040230	49	10	41
K3060260	81	23	9
K3320320	51	11	20
K3320340	51	11	17
K3320400	53	11	33
K3320480	53	11	30

Part No	Page No	Fig No	Ref No
K3320500	53	11	32
K3320510	51	11	14
K3320530	51	11	26
K3320540	51	11	27
M1010180	33	4	23
M1010210	33	4	4
M1010360	33	4	48
M1010380	33	4	41
M1010390	33	4	42
M1010440	27	2	72
M1010490	33	4	3
M1010510	33	4	22
M1010540	33	4	37
M1010570	33	4	10
M1010580	33	4	9
M1010610	33	4	12
M1040140	47	10	5
M1040140	47	10	5B
M1040140	47	10	5C
M1080420	33	4	38
M1080500	33	4	5
M1080510	35	4	62
M1080600	25	2	47
M1080620	25	2	46
M1080830	41	7	10
M1200010	33	4	43
M1200010	33	4	44
M1200050	33	4	16
M1200060	31	3	3
M1200060	33	4	17

Part No	Page No	Fig No	Ref No
M1200320	29	2	96
M1200320	45	9	31
M1200380	27	2	64
M1200380	37	5	7
M1200440	27	2	79
M1200450	27	2	81
M1200470	21	1	45
M1200470	41	7	11
M1200470	43	8	26
M1200510	23	1	52
M1200510	27	2	53
M1200510	55	12	5
M1200510	57	13	5
M1200520	21	1	21
M1200520	21	1	25
M1200520	27	2	59
M1200520	43	8	7
M1200520	47	10	9
M1200520	55	12	24
M1200530	23	1	58
M1200530	35	4	55
M1200530	41	7	17
M1200590	33	4	46
M1200600	33	4	45
M1200770	23	1	59
M1200780	21	1	42
M1200780	33	4	15
M1200790	45	9	29
M1200840	55	12	15
M1200870	29	2	97

Part No	Page No	Fig No	Ref No
M1200870	45	9	30
M1200890	55	12	11
M1200900	33	4	19
M1200900	35	4	50
M1200900	47	10	25
M1200900	85	24	28
M1200940	27	2	57
M1201000	47	10	29
M3160520	85	24	27
M7010210	33	4	20
M7010270	33	4	32
M7010280	33	4	13
M7010780	33	4	1
M7010830	33	4	40
M7010840	33	4	30
M7010850	33	4	39
M7010910	33	4	28
M7020340	27	2	75
M7020360	27	2	74
M7200500	39	6	23
M7200510	45	9	19
M7200530	25	2	21
M7200530	27	2	89
M7321820	29	2	102
M7321830	29	2	105
M7321860	29	2	104
M7321870	29	2	107
N2010960	35	4	63
N2011040	33	4	8
N2041150	49	10	45

Part No	Page No	Fig No	Ref No
N2041160	49	10	42
N2041490	55	12	22
N2080520	41	7	2
N2081570	41	7	4
N2081680	21	1	16
N2081680	43	8	23
N2081720	21	1	29
N2081720	25	2	39
N2200390	21	1	33
N2200400	21	1	30
N2200400	27	2	66
N2200450	21	1	11
N2200450	25	2	12
N2200450	43	8	30
N2200500	23	1	48
N2200500	25	2	10
N2200500	37	5	4
N2320250	51	11	18A
N2320270	51	11	9
N2320310	51	11	25
N2320330	51	11	15
N2320340	51	11	8
N2320420	53	11	31
N2320510	51	11	22
N2320570	51	11	12
N2320610	53	11	34
N2320630	53	11	35
N3040370	47	10	24
N3160210	85	24	16
N3200070	29	2	101

## PART NUMBER INDEX

Part No	Page No	Fig No	Ref No
N3200070	45	9	9
N3200120	73	19	24
N3200120	81	23	36
N3200120	83	23	39
N3200120	89	25	8
N3200120	89	25	19
N3200220	81	23	8
N3200220	83	23	52
N3200250	77	21	27
N3200340	59	14	24
N3200360	49	10	36
N3210750	65	16	37
N4011100	33	4	11
N4160180	65	16	39
N4320570	51	11	21
N4320570	51	11	21A
N5200160	21	1	28
N5320220	51	11	9D
N5320230	51	11	28
N5320340	51	11	7
N5320400	53	11	29
N8040340	49	10	46
N8040350	45	9	26
N8200080	59	14	14
N8200080	73	19	26A
N9041060	49	10	44
N9041670	45	9	24
N9053170	55	12	14
N9060280	83	23	55
P100480	47	10	5A

Part No	Page No	Fig No	Ref No
P1040220	45	9	25
P1200040	85	24	46
P1200050	21	1	47
P1200050	47	10	15
P1200050	55	12	16
P1200050	61	15	13
P1200050	61	15	45
P1200050	77	21	16
P1200050	77	21	28
P1200050	81	23	31
P1200050	83	23	48
P1200050	85	24	43
P1200050	89	25	3
P1200050	89	25	18
P1200060	27	2	49
P1200060	47	10	14
P1200060	61	15	14
P1200060	81	23	37
P1200060	83	23	53
P1200060	89	25	1
P1200070	33	4	24
P1200070	79	22	39
P1200070	81	23	30
P1200070	81	23	35
P1200070	83	23	43
P1200070	85	24	44
P1200100	61	15	46
P1200100	85	24	22
P1200120	21	1	46
P1200240	69	18	32

Part No	Page No	Fig No	Ref No
P150330	59	14	13
P200150	39	6	16
R1040430	35	4	51
R1040430	47	10	13
R1040460	49	10	39
R1040780	47	10	23
R1080160	39	6	17
R1140350	49	10	37
R1200180	57	13	24
R1200310	69	18	35
R1200310	79	22	22
R1320400	51	11	17A
R1320410	51	11	19
R1321530	53	11	37
R1321590	51	11	19C
R1321610	51	11	5C
R1321670	51	11	1
R2040140	49	10	35
R2040400	45	9	27
R2160100	83	23	45
R3160090	83	23	44
S1010320	33	4	33
S1011290	21	1	15
S1011290	43	8	24
S1125320	21	1	22
S1160150	85	24	11
S1200120	21	1	18
S1200120	25	2	17
S1200270	33	4	25
S1200860	21	1	27

Part No	Page No	Fig No	Ref No
S1200860	27	2	54
S1200920	47	10	5D
S1201050	21	1	13
S1201050	27	2	62
S1201050	37	5	5
U6080430	41	7	15
U6080440	41	7	16
	43	8	35A
	57	13	28
	57	13	29
	77	21	2
	81	23	11D
	81	23	11E

Part No	Page No	Fig No	Ref No



## PART DESCRIPTION INDEX

Part Description	Part No	Page No	Fig No	Ref No
<b>A</b>				
Adaptor Carburettor New (Ni)	G2041620	47	10	6A
Adaptor Carburettor Petrol Old	G2041100	47	10	6
Adaptor TMC	G5320030	77	21	40
Adjuster Assy Tensioner	M1010180	33	4	23
Adjustor Bolt Damper Assy	G3150390	61	15	33
Adjustor Spring Damper Assy	G3150400	61	15	32
Air Cleaner Assy	G4040030	47	10	1
Air Cleaner Sai	N9041670	45	9	24
Air Screw	3087350	51	11	13A
Air Screw	G4320140	51	11	13
Aluminum Packing Soft Top	G5122510	79	22	9
Arm Stopper Reverse	G2082340	39	6	15
Armature Assy Old (Ni)	G5060260	23	1	66
Armature Coil Assy.Ph 2.2 New (Ni)	G4320560	23	1	67
Armature Wiper Motor (Ni)	G5320640	87	24	64
Assy Parking Brake Control Lever	G2110750	67	17	44
Axle Bolt	G2110570	73	19	14
Axle Comp Rear	G2110440	75	20	28
Axle Front	G2110710	73	19	13
Axle Rear	G2110530	75	20	2
<b>B</b>				
B Pillar Frame Assy	G5220910	79	22	10
Back plate Comp Front	G2111460	73	19	1
Back Plate Cowling	G3180150	23	1	50
Back Plate LH	G2110210	75	20	17A
Back Plate RH	G2111180	75	20	17
Back Plate, Air Cooling	G4180060	33	4	34
Backrest Assy Passenger Brown	G31304407H	89	25	2
Backrest Driver Brown	G31305307H	89	25	15
Ball Bearing 12X28X8	N2200400	21	1	30
Ball Bearing 12X28X8	N2200400	27	2	66
Ball Bearing 15X32X9 C3 6002	M1200380	37	5	7
Ball Bearing 15X32X9 C3 6002 Clutch	M1200380	27	2	64
Ball Bearing 17X35X10 C3 6003	S1200120	25	2	17
Ball Bearing 17X35X10 C3 6003 (Ds)	S1200120	21	1	18
Ball Bearing 20X42X12	G2200440	61	15	25
Ball Bearing 20X42X12	G2200440	69	18	16
Ball Bearing 20X42X12 C3 6004	0339480	25	2	18
Ball Bearing 20X42X12 C3 6004 (Hs & Cs)	0339480	21	1	19

Part Description	Part No	Page No	Fig No	Ref No
Ball Bearing 30X62X16 - RH Cs	G2200760	21	1	8
Ball Bearing 35X62X9 #16007	G2200310	27	2	82
Ball Bearing 35X62X9 #16007	G2200310	43	8	33
Ball Bearing 35X62X9 16007 Differential	G2200310	21	1	36
Ball Bearing 35X72X17 C3 6207 Cs L	M7200530	25	2	21
Ball Bearing 6205 (LH Ccs)	N2200390	21	1	33
Ball Bearing 6206 - LH Cs	G2201130	21	1	3
Ball Bearing 6206 R	M7200530	27	2	89
Ball Race Assy Lower	G2150110	61	15	10
Banjo Bolt	G2110420	77	21	18
Beading Glass W/S	G5220150	85	24	5
Beading Headlamp(Big Outer Side)	G2160500	85	24	47
Bearing Bush 12X15X10	M7200510	45	9	19
Bearing Race Inner Top	G2150030	61	15	6
Bellow Propeller Shaft	G2081920	69	18	24
Bendix Drive And Shaft Assy Old (Ni)	G5060250	23	1	65
Bendix Drive Assy. Ph 2.2 New (Ni)	G4320570	23	1	68
Bevel Gear 3 Wheeler	G2081400	43	8	15
Bezel RH Cowl Front	G5120669	85	24	38
Bezel LH Cowl Front	G5120659	85	24	18
Bkt Side Tube B Pillar	G5221250	79	22	14
Body Assy Wiper Motor (Ni)	G5320630	87	24	63
Body Comp Exhaust	G4050010	55	12	3
Bolt Cam Chain Tensioner	M1080510	35	4	62
Bolt Gear Shift Cam Stopper	M1080830	41	7	10
Bolt Rear Engine Mtg	0331298	69	18	30
Bolt, Axle	G2110570	75	20	1
Boot Sai Filter	P1040220	45	9	25
Boot Starter Relay	R3160090	83	23	44
Bottom Cover Single Mode	G4320180	53	11	36
Bracket Choke Cable	G2020840	53	11	38
Bracket CNG Reducer MTG New	G4120340	97	27	63
Bracket Comp Cable Guide	G5150250	59	14	15
Bracket Cross Member B Pillar	G5221110	79	22	15
Bracket Fuel Tank 8 Ltr Tnk 8 LTR TANK MTG	G5140460	57	13	25
Bracket Starter Motor New (Ph 2.2)	G4180940	21	1	1
Bracket Starter Motor New (Ph 2.2) (Ni)	G4180940	25	2	35A
Bracket Starter Motor Old (Ni)	G3180229	21	1	1A
Brake Drum	G2110390	73	19	17
Brake Drum	G2110390	75	20	3

## PART DESCRIPTION INDEX

Part Description	Part No	Page No	Fig No	Ref No
Brake Fluid Reservoir Assy	G2110060	77	21	1
Brake Lamp Bulb	M3160520	85	24	27
Brake Light Switch	G2160250	77	21	32
Brake Pedal Comp	G3120200	77	21	13
Brake Shoe Comp	G2110320	73	19	3
Brake Shoe Comp	G2110320	75	20	26
Brass Micro Filter	G5320970	95	27	18
Breather Assy - 1	G5141590	97	27	57
Breather Assy - 2	G5141600	97	27	58
Breather Hose Pcv	R2040140	49	10	35
Breather Screw With Cap	G2111280	77	21	25
Brkt Abutment Clutch	G3070250	21	1	24
Brkt Abutment Clutch	G3070250	25	2	37
Brkt Air Filter SAI	G4040510	25	2	36
Brkt Air Filter Sai Comp	G5040040	45	9	20
Brkt Comp Rear Extinguisher	G5122810	79	22	6
Brkt Cowl-Windshield LH Front Side	G5222670	87	24	49
Brkt Cowl-Windshield RH Front Side	G5222680	87	24	50
Brkt LH Cowl Wind Shield Driver Side	G5121810	85	24	42
Brkt Oil pump Cable	G3080380	21	1	9
Brkt RH Cowl Wind Shield Driver Side	G5121820	85	24	40
Brkt, Head tube Cover	G5124029	71	18	60
Brkt, Mtg Starter Motor (Old)	G3180229	25	2	35
Brush Box Assy Kit (NI)	G5060240	23	1	64
Buffer Wheel side Propeller Shaft	G5080320	69	18	26
Buffer Engine Side Propeller Shaft	G2080050	69	18	19
Bulb (Cap less Speedometer)	G2160320	73	19	27
Bulb 12V10W Turn Signal Rear	N3160210	85	24	16
Bulb Headlamp	S1160150	85	24	11
Bundy Tube Assy Rear Lh, Rh	G2111570	77	21	26
Bundy Tube Assy Center	G2111550	77	21	21
Bundy Tube Assy Front	G3110050	77	21	17
Bush Bearing(Big), Handle Bar	G5150400	59	14	27
Bush Bearing(Small),Handle Bar	G5150390	59	14	26
Bush Elbow	G4320250	93	26	62
Bush Housing Differential 3 Wheeler	G2081479	43	8	34
Bush, Cross Bolt Handle Bar Mtg 2S	G5150350	59	14	5
Bush, Cross Bolt Handle Bar Mtg 4S	G4150040	59	14	5A
Bush, Fuel Tank 8 Ltr	G5140620	57	13	23
Button Assly Sill Covers	A128730	79	22	30

Part Description	Part No	Page No	Fig No	Ref No
C				
C Clamp Elbow Reducer	G4320220	93	26	61
Cabin LPG/CNG Single Mode Green (Ni)	G42200708L	81	23	1A
Cable Assy Black Gearshift	G5170030	71	18	50
Cable Assy Choke 2S Petrol Old	G5170050	71	18	45
Cable Assy Clutch	G5170020	71	18	49
Cable Assy Speedo	G5170080	73	19	22
Cable Assy White Gearshift	G5170040	71	18	51
Cable Inner Clutch	G5320150	71	18	53
Cable Inner Gear Shift (With Pinch Bolt)	G5320170	71	18	52
Cage Assy Top	G2150120	61	15	5
Cam Chain	G4010140	35	4	64
Cam Gear Shift	G3080190	41	7	14
Camshaft Comp Np.049	G4010130	33	4	2
Canvas Soft Top -Brown	G52225007H	79	22	4
Cap Assy Fuel Tank 5 & 3 Ltr	G5141880	57	13	12
Cap Assy Fuel Tank 8 Ltr	G5140680	57	13	13
Cap Brake Fluid Reservoir		77	21	2
Cap Engine Side Fare meter	G3080220	43	8	6
Cap Inspection Hole	M1010380	33	4	41
Cap Oil Filter	G4080240	27	2	48
Cap Spring Choke Shaft	G2320830	53	11	40
Cap Timing Inspection	G4180310	33	4	36
Car safety Unit Old	G3160470	83	23	59
Carbon Brush Wiper Motor (Ni)	G5320650	87	24	65
Carburetor Assy 2S (Ni)	G5040010	53	11	45
Carburetor Assy 2S (Ni)	G3040020	53	11	46
Carburetor Assy 2S (Ni)	G4041610	53	11	47
Carburetor Assy 4S (Ni)	G4320170	53	11	41
Carburetor Assy 4S (Ni)	G4040620	53	11	42
Carburetor Assy 4S (Ni)	G4040310	53	11	43
Carburetor Assy 4S (Ni)	G4040280	53	11	44
Case Air Cleaner	G4040010	47	10	22
Center Assy Clutch	G4070010	27	2	91
Center Assy Clutch	G3070120	37	5	13
Changeover Switch Petrol / Gas	G3160550	65	16	25
Chassis Assy Cng - Rikshaw Black	G51239803D	79	22	26B
Chassis Assy Es - Rikshaw Black	G51239603D	79	22	26A
Chassis Assy Lpg - Rikshaw Black	G51231903D	79	22	26
Chassis Sleeve, Hose Vacuum LPG	G4140140	91	26	32

## PART DESCRIPTION INDEX

Part Description	Part No	Page No	Fig No	Ref No
Cheese Head Screw 1St Stage Lever Mtg	G5141420	95	27	41
Cheese Head Screw Out Let Tube Mtg	G5141490	97	27	48
Choke Cable Assy 2S & 4S New (Ni)	G4170010	71	18	45A
Choke Valve	G5320710	51	11	3
Circlip	G2200980	67	17	31
Circlip 11X1.0	P200150	39	6	16
Circlip 12X Gear Shifter Shaft	M1200870	45	9	30
Circlip 12X1.0 N Is:3075 Ext	M1200870	29	2	97
Circlip 12X1N	G3200030	63	15	50
Circlip 17X1.0 Piston Pin	M1010440	27	2	72
Circlip 25X1.2 3 Wheeler	G2200020	39	6	4
Circlip 42X1.75 N	K200060	61	15	26
Circlip 42X1.75 N Is:3075 Int	K200060	69	18	15
Circlip Hs	G2200980	25	2	25
Circlip Lock Push Road TMC	G5320070	77	21	36
Circlip Piston	G2010210	31	3	15
Clamp Driver Seat Mtg	G3130280	89	25	13
Clamp Battery	G5123250	85	24	34
Clamp Drain Pipe (Pre Filter)	N3040370	47	10	24
Clamp Fire Extinguisher	G3130280	79	22	16
Clamp Hose Reservoir	G2110130	77	21	6
Clamp Oil Hose	S1125320	21	1	22
Clamp Wiring Harness	G3080490	23	1	57
Clip Bellow Small End	G5080300	69	18	27
Clip Dist Bellow	G5320540	77	21	34
Clip Flexible Hose	G2111580	77	21	30
Clip For Low Pressure Hose	G5141630	97	27	59
Clip Hose Air Outlet	N2041160	49	10	42
Clip Hose Breather Hose Air Filter Out	R1040460	49	10	39
Clip Inlet Oil Pump 8.5Mm	G2320950	57	13	26
Clip Input Hose	G5140270	91	26	29
Clip Lock Pulley	G5150230	59	14	10
Clip Outlet Oil Pump 4.8Mm	G2320940	57	13	27
Clip Worm Drive Dia76	G4200030	47	10	2
Coil For LPG Solenoid With Wiring	G5140700	91	26	37
Coil Solenoid CNG	G5140840	95	27	28
Compliance Plate CNG	G5210020	89	25	38
Compliance Plate LPG (Ni)	G5210010	89	25	38A
Connector Mode Selection	G4160250	65	16	14
Copper Pipe Filler To Tank Dia 8 LPG	G5140130	91	26	43

Part Description	Part No	Page No	Fig No	Ref No
Copper Tube From Tank Reducer Dia 6 LPG	G5140220	91	26	26
Copper Washer Inlet CNG	G5141440	95	27	43
Copper Washer Mtg Connector	G5141060	95	27	3
Copper Washer Mtg Pressure Gauge	G5141050	95	27	2
Copper Washer Plug Reducer	G5141400	95	27	40
Cord Set, Starter Motor Black	G3160730	83	23	47
Cord Set, Starter Relay (Red).	G5160760	83	23	46
CORDSET WH,SPEEDOMETER	G5161210	73	19	32
Cotter Valve	S1010320	33	4	33
Counter Shaft Assy 2S	G2081570	41	7	21
Countershaft Assy 4S (Ni)	G4080120	41	7	21A
Countershaft Comp 4S (Ni)	G4080110	39	6	1A
Coupling Screw	G5141080	95	27	5
Cover Air Cleaner	G4040020	47	10	26
Cover Cdi	G3060060	81	23	15
Cover CNG /LPG	G5221450	89	25	20
Cover Crankcase R 2S	G3030110	21	1	23
Cover Crankcase R 4S	G4030050	25	2	38
Cover Cylinder Head	M7010830	33	4	40
Cover Differential	G3030090	43	8	19
Cover Handle Bar	G5150130	59	14	1
Cover Oil pump	G2180910	45	9	3
Cover Oil Strainer	G4080020	27	2	50
Cover Steering Column	G5230500	61	15	8
Cover Steering Column (Field Vehicles)	G5230510	61	15	8A
Cover Tail Lamp	G5230540	83	23	51
Cover Vapour Box LPG	G5140100	93	26	48
Cowl Comp Back Air Cooling	G4180050	33	4	26
Cowl Comp Bottom Air Cooling	G2180810	23	1	61
Cowl Comp Bottom Air Cooling	G4180030	33	4	35
Cowl Comp Top Air Cooling	G2180820	23	1	49
Cowl Comp., Top Air Cooling	G4180040	33	4	47
Crankcase L Np.049 4S	G4030010	27	2	78
Crankcase R Np.049 4S	G4030030	25	2	16
Crankcase Sub Assy 2S RH	G3030250	21	1	10
Crankcase Sub Assy LH 2S	G3030240	21	1	35
Crankshaft Assy - 2S 3W	G2020010	21	1	5
Crankshaft Comp Np.049	G1020010	25	2	22
C-Ring Camshaft	M7010840	33	4	30
Cross Member Comp Cabin Support Rr	G5121870	79	22	3

## PART DESCRIPTION INDEX

Part Description	Part No	Page No	Fig No	Ref No
Cross member Engine Mtg	G5122450	69	18	40
CRPH Scr M5x12 6 Passenger Side Panel Mtg	0331708	89	25	41
CRPH Scr M5X12 6.8 Handle Bar Switch Mtg	0331708	59	14	8
Crph Scr M5X16 6.8	0331718	45	9	1
Crph Scr M5X16 Cover Air filter Mtg	0331718	47	10	17
Crph Scr M5 Speedo Cable To Drive Joint	F200098	73	19	28
Crph Scr M6X12 6.8 Speedometer Mtg 2S	0332068	73	19	26
Crph Scr M6X16 6 Mtg Lid Battery	P1200040	85	24	46
Crph Tapping Screw M5*12 Tps Mtg	8200120	65	16	40
Crr Flanged Pan Hd Tap Screw Cover HB Mtg	N3200340	59	14	24
Crr Pan Hd Tap Scr St3.5X16 Beeper Mtg	K200300	65	16	29
Crr Pan Head Screw Logo Grill Mtg	G5200350	87	24	58
Crr Pan Head Screw M5 X 16 Flasher Mtg	G5200350	65	16	18
Crr Pan Head Screw M5 X 16 Lid Mtg	G5200350	65	16	6
Crr Pan Head Screw M5 X 16 Mob charger	G5200350	65	16	34
Crr Pan Head Screw M5 X 20 Bezel	G5200360	85	24	19
Crr Pan Head Screw M5 X 20 Holder Magazine Mtg	G5200360	65	16	23
Crr Pan Head Screw M5 X 20 Indicator Front Lamp Mtg	G5200360	85	24	21
Crr Pan Head Screw M5X10 Brckt Cable Guide	N8200080	59	14	14
Crr Pan Head Screw M5X10 Speedo Mtg 4S	N8200080	73	19	26A
Crr Pan Head Screw M6X12	0332068	71	18	58
Crr Pan Head Tap Screw	M1201000	47	10	29
Csk Screw M4X10	G2200460	73	19	18
Csk Screw M4X10	G2200460	75	20	4
Csk Screw M4X10 Hub Drive Mtg	G2200460	73	19	30
Cup Engine Mtg Damper	G2180270	69	18	44
Cushion Bottom Fire Extinguisher	G5123290	79	22	8
Cushion Cover LPG / CNG	G5222050	89	25	28
Cushion Holder Fire Extinguisher	G5123310	79	22	7
Cushion Lid	G5230190	65	16	4
Cylinder Assy	G5141980	97	27	62
Cylinder Block comp 4S	G4010170	33	4	21
Cylinder Block Finished 2S	G2010440	31	3	11
Cylinder Head	G3010020	31	3	4
Cylinder Head Comp	G4010180	33	4	18
<b>D</b>				
D Washer Pulley Gearshift	G4080290	25	2	33
D Washer, Pulley Gear Shift	G4080290	45	9	18
Damper Bracket Assy Steering Column	G3150280	61	15	31
Damper Engine Mtg Front	G2180260	69	18	43

Part Description	Part No	Page No	Fig No	Ref No
Damper Hand Start	G2082290	43	8	29
Dashboard	G5230150	65	16	3
Deflector Cover Air Cleaner	G4040260	47	10	28
Diaphragm Sub Assy 1St Stage	G5141290	95	27	32
Differential Assy - 2 Stroke 3 Wheeler		43	8	35A
Differential Assy - 4 Stroke 3 Wheeler	G4080250	43	8	35
Digital TCI Unit	G5060020	81	23	11A
Digital TCI Unit - 4S	G4060040	81	23	11
Digital TCI Unit - CNG	G3060170	81	23	11C
Digital TCI Unit 2S Petrol	G5320430	81	23	11B
Digital TCI Unit Old		81	23	11D
Digital TCI Unit Old		81	23	11E
Disc Clutch Release	G3070080	37	5	17
Disc Pressure Clutch Mc	G4070320	27	2	90
Disc Spring	S1201050	27	2	62
Distance Piece Front Axle	G2111310	73	19	15
Dog Driven	G2081800	67	17	22
Domed Cap Nut	G5200220	87	24	55
Domed Nut M6 Dvr Back Rest	G5200220	89	25	17
Domed Nut With Flange M8 Cy.Head	M1200050	33	4	16
Dowel Pin	0074010	25	2	11
Dowel Pin Crank Case	0074010	21	1	17
Drain Bolt Solenoid Filter	G5141770	95	27	29
Drain Pipe Post Filter	G4040330	47	10	19
Drain Pipe Pre Filter	R1040780	47	10	23
Drain Screw	N2320310	51	11	25
Dummy Plug Gas Change Over Switch	G5230300	65	16	26
Dummy Plug Gas Indicator	G5230290	65	16	27
Dust Bellow Tmc Push Rod	G5320550	77	21	35
Dust Cover Filler Valve	G5140210	93	26	52
Dust Cover Inner	G2150070	61	15	12
Dust Plug	G5141150	95	27	11
Dust Seal 18X27X6	G3200190	43	8	22
Dust Seal Ball Bearing	G5200550	69	18	17
Dust Seal Needle Bearing	G5200560	69	18	14
Dust Seal Needle Bearing Field Updation (Ni)	G5200570	69	18	14A
Dust Seal Needle Bearing Tring Arm Frnt	G5200560	61	15	17
Dust Seal Pivot Pin Front	G5100030	61	15	28
<b>E</b>				
Earth Cable	G5160590	31	3	14

## PART DESCRIPTION INDEX

Part Description	Part No	Page No	Fig No	Ref No
Edge Trim A Pillar	G5230480	87	24	56
Edge Trim,Lidfuel Tank	G5230470	81	23	28
Electronic Flasher Unit	G2160450	65	16	17
Electronic Level Indicator	G5140730	91	26	34
End Connector Dia 6 LPG	G5140240	91	26	28
End Connector Dia 8 LPG	G5140180	91	26	44
E-Ring	N2320340	51	11	8
Ewasher Air Screw	K3320500	53	11	32
Ex Screw M6X10.5 P	420452700	33	4	6
Expander Ring	G2010170	31	3	7
Expander, Ring 1 Oversize - N.I.	G2320050	31	3	7A
Expander, Ring 2 Oversize - N.I.	G2320060	31	3	7B
Eye Bolt Lh With Nut	G5120980	67	17	18
Eye Bolt Rh With Nut	G5120970	67	17	15
<b>F</b>				
Fan Engine Cooling	G4180860	35	4	57
Fan Engine Cooling 2S & 4S	G4180860	23	1	60
Fender Fr Black	G52206903D	61	15	47
Ferrule Dia 6Mm Copper Tube Joint	G5140230	91	26	27
Ferrule Dia 8Mm	G5140140	91	26	42
Filler Valve	G5140770	91	26	41
Filter Oil Tank Inlet	3148540	57	13	20
Filter Comp, Engine Oil	G4080260	25	2	45
Filter Fuel tank Outlet	K140460	57	13	8
Filter Gas Solenoid Valve	G5140500	95	27	23
First Aid Kit	N3210750	65	16	37
First Stage Reduction Unit With Electron	G5140450	95	27	1
Fixing Bracket Assy (Cover Bendix ) NI	G5060220	23	1	63
Flame Trap Comp	G4040100	47	10	32
Flange Cap Nut Mtg Fire Extinguisher	G5220240	79	22	44
Flange Inlet Air Filter	G4040190	47	10	20
Flange Inlet Air Filter (Ni)	G3040010	47	10	20A
Flexible Hose Assy 1 (1570Mm)	G5140520	95	27	22
Flexible Hose Assy 2 (245Mm)	G5140530	95	27	30
Flexible Hose Filler Valve LPG	G5140150	91	26	45
Flexible Hose Front	G2111720	77	21	20
Float Assembly	N4320570	51	11	21
Float Assembly Ni	N4320570	51	11	21A
Float Body Assembly	G2320730	51	11	24
Float Body Fixing Screw	K3320530	51	11	26

Part Description	Part No	Page No	Fig No	Ref No
Float Pin	N2320510	51	11	22
Float, Fuel Warning Switch	G52320570	57	13	11
Flow Adjusting Screw	G5320990	97	27	49
Fly Wheel Magneto - 4S	G4060060	35	4	60
Foam Comp Filter, Air Cleaner	G4040090	47	10	31
Fork Gear Shift High Speed	G3080200	41	7	3
Fork Gear Shift Low Speed	G3080170	41	7	5
Frame Comp Seat Driver	G5230100	89	25	9
Friction Plate Assy	G3150310	61	15	7
Friction Plate Crown Handle Bar Mtg 2S	G5150420	59	14	28
Front Indicator Glass RH	G5160380	85	24	9
Front Indicator Glass LH	G5160370	85	24	37
Front Indicator Lamp Assy LH	G5160080	85	24	17
Front Indicator Lamp Assy RH	G5160090	85	24	8
Fuel Cock Assy	G5140330	57	13	3
Fuel Tank 3 Ltr	G5140340	57	13	14
Fuel Tank Assy 3L	G5141750	57	13	1A
Fuel Tank Assy 8 Ltrs	G5141760	57	13	1
Fuse 15 Amps	G5160550	81	23	18
Fuse 2A (Ni)	G3160660	81	23	18B
Fuse 5A (Ni)	G4320430	81	23	18A
<b>G</b>				
Gas Level Indicator LPG/CNG 2S & 4S.	G5160790	65	16	21
Gasket Air Injection 2S All	N2041490	55	12	22
Gasket Exhaust Port	3259010	55	12	20
Gasket Breather Plug	M1080420	33	4	38
Gasket Cover Crank Case-R	G4030080	27	2	56
Gasket Cover Crankcase	G3030160	21	1	31
Gasket Cover Differential	G3030150	43	8	18
Gasket Crank Case	G4030070	27	2	70
Gasket Crankcase	G3030140	21	1	4
Gasket Cyl Head Cover Bolt Copper Washer	M1200010	33	4	44
Gasket Cyl Head Nut ( Copper Washer )	M1010360	33	4	48
Gasket Cylinder Block	G2010450	31	3	13
Gasket Cylinder Block	G4010070	35	4	61
Gasket Cylinder Head	M7010210	33	4	20
Gasket Cylinder Head .	G5010020	31	3	5
Gasket Exhaust Muffler Body 2S	G2051260	55	12	18
Gasket Hub Drive	G5150430	73	19	29
Gasket Muffler 4S All	G4050380	55	12	4

## PART DESCRIPTION INDEX

Part Description	Part No	Page No	Fig No	Ref No
Gasket Muffler Exhaust Port 4 S	N9053170	55	12	14
Gasket Multivalve	G5140720	93	26	59
Gasket Oil Pump	G3080370	45	9	5
Gasket Pipe Intake	G4040460	35	4	52
Gasket Pipe Intake	G2041640	47	10	10
Gasket Reed Valve	G2040810	47	10	11
Gasket Tensioner Adjuster	M1010510	33	4	22
Gauge Oil Level Np.049	G4080400	27	2	55
Gauge Oil Level Engine	G2081880	21	1	26
Gear 1 St Drive	G2081750	39	6	5
Gear 2Nd Drive 3 Wheeler	G3080310	39	6	8
Gear 2Nd Driven	G2081680	39	6	11
Gear 3 Rd Drive 3 Wheeler	G2081600	39	6	6
Gear 3Rd Driven	G2081690	39	6	12
Gear 4Th Drive 3 Wheeler	G2081610	39	6	3
Gear 4Th Driven	G2081700	39	6	10
Gear Assy Primary Driven	G4070500	25	2	14
Gear Comp 1St Driven	G2081660	39	6	13
Gear Comp Reverse Driven	G2081710	39	6	19
Gear Final Drive	G2081160	21	1	44
Gear Final Driven 2 Stroke (Ni)	G2081180	43	8	10A
Gear Final Driven 4 Stroke	G4080230	43	8	10
Gear Hand Start	G2082200	25	2	28
Gear Hand Start	G2082200	67	17	28
Gear Primary Drive 3 Wheeler	G4080010	21	1	12
Gear Primary Drive 4 Stroke 3 Wheeler	G4080160	29	2	98
Gear Primary Driven Assy	G3070020	37	5	16
Gear Shift Shaft	G3080260	27	2	95
Glass W/S	G5220140	85	24	4
Grease Nipple M6	G5121850	67	17	36
Grill Assy	G5123580	85	24	39
Grip Hand start	G5121680	67	17	6
Grip LH & RH	P150330	59	14	13
Grommet 20X16 Cabin LH Luggage Area	G5230410	83	23	57
Grommet Cover LPG/CNG	G5123660	89	25	34
Grommet Dashboard	G5230180	65	16	16
Grommet Dia 10 Wind Shield	G5230450	87	24	57
Grommet Fuel Tank	G5140380	57	13	9
Grommet Sill Level Lh	G5230310	79	22	5
Grommet Sill Level RH	G5230360	79	22	19

Part Description	Part No	Page No	Fig No	Ref No
Grommet T Piece	G3160690	79	22	29
Grommet Tail Door	G5221640	81	23	34
Grommet,Dia20 Cut Out Bumper	G5230420	83	23	58
Guide Camchain	G4010060	33	4	7
Guide Cover LPG/CNG (Pin Locator Seat)	G5123670	89	25	35
Guide, Slack Side Roller Chain	G4080200	25	2	15
Gusset Frame Front L	G5124189	71	18	56
Gusset Frame Front R	G5124199	71	18	55
<b>H</b>				
Hand Lever Comp	G5120840	67	17	5
Hand Starter Bush Front Lh Black	G5124040	67	17	4
Hand Starter Bush Front Rh Red Small	G5124050	67	17	20
Handle Bar Complete 2S With Bush & Nut (Ni)	G5150470	59	14	2A
Handle Bar Die Cast 4S	G5150010	59	14	2
Hazard Warning Switch	G5160140	65	16	20
Head Lamp Assy LH	G5160060	85	24	2
Head Tube Cover	G5230590	71	18	57
Headlamp Assy RH	G5160070	85	24	1
Hex Bolt M10X80 Handle Bar Mtg	G2200060	59	14	6
Hex Bolt M12X1.75X55 Shock Absorber Mtg	G2200170	61	15	34
Hex Bolt M12X1.75X55 Shock Absorber Mtg	G2200170	69	18	6
Hex Bolt M6X16 A,B, C Pillar Mtg	P1200070	79	22	39
Hex Bolt M6X20 Wind Shield Mtg	420462700	79	22	35
Hex Bolt M8X1.25X25 Mtg Dog Driven	0331268	67	17	34
Hex FI Bolt M10X1.25 Front Eng Mtg	G2200810	69	18	39
Hex FI Bolt M6 X 25 Fuel Cock & Oil Tank Mtg	M1200510	57	13	5
Hex FI Bolt M6 X 30 Cowl Top	M1200470	21	1	45
Hex FI Bolt M6X16	M1200520	21	1	21
Hex FI Bolt M6X16 Cap Fare Meter Mtg	M1200520	43	8	7
Hex FI Bolt M6X16 Intake Pipe Mtg	M1200520	47	10	9
Hex FI Bolt M6X16 Number Plate Mtg	N3200220	81	23	8
Hex FI Bolt M6X16 Oil Pump Brck Mtg	M1200520	21	1	25
Hex FI Bolt M6X16 Oil Pump Mtg	M1200520	27	2	59
Hex FI Bolt M6X16 Splash Guard	N3200220	83	23	52
Hex FI Bolt M6X30 Cover Differential Mtg	M1200470	43	8	26
Hex FI Bolt -M6X50	N2200450	25	2	12
Hex FI Bolt -M6X50 (Incl R&L)	N2200450	21	1	11
Hex FI Bolt M6X50 Damper Mtg	N2200450	43	8	30
Hex Flange Bolt M6 X 60 Fuel Cock Mtg 8 LTR	R1200180	57	13	24
Hex Flange Bolt M6 X 25	M1200510	55	12	5

## PART DESCRIPTION INDEX

Part Description	Part No	Page No	Fig No	Ref No
Hex Flange Bolt M6X122 Ccr	G4200050	25	2	43
Hex Flange Bolt M6X16	M1200520	55	12	24
Hex Flange Bolt M6X20 Intake	M1200530	35	4	55
Hex Flange Bolt M6X20 Neutral Switch Mtg	M1200530	41	7	17
Hex Flange Bolt M6X25	M1200530	23	1	58
Hex Flange Bolt M6X25	N2200500	37	5	4
Hex Flange Bolt M6X25 Fan mtg	N2200500	23	1	48
Hex Flange Bolt M6X25 Oil Pump Mtg	M1200510	27	2	53
Hex Flange Bolt M6X25 Stator Mtg	M1200510	23	1	52
Hex Flange Bolt M6X25 Zng	N2200500	25	2	10
Hex Flange Bolt M6X30 Retainer Mtg	M1200470	41	7	11
Hex Flange Bolt M6X35	M1200590	33	4	46
Hex Flange Bolt M6X45	M1200600	33	4	45
Hex Flange Bolt M6X45 (Cover Ccs)	N5200160	21	1	28
Hex Flange Bolt M6X55	M1200010	33	4	43
Hex Flange Bolt M6X75 CCLH	M1200440	27	2	79
Hex Flange Bolt M6X95	M1200450	27	2	81
Hex Flange Bolt M8X50 Muffler Mtg To Chassis	M1200840	55	12	15
Hex Flange Nut M12X1.25 Rotor Mtg	M1200770	23	1	59
Hex Flange Nut M6	M1200900	33	4	19
Hex Flange Nut M6	M1200900	35	4	50
Hex Flange Nut M6 Battery Mtg	M1200900	85	24	28
Hex Flange Nut M6 Carburetor Adopter Mtg	M1200900	47	10	25
Hex Flange Screw M8X20 Link Rod Eng Mtg	R1200310	79	22	22
Hex Flange Screw M8X20 Resilient Mtg	R1200310	69	18	35
Hex Flange U Nut Axle	G5200180	73	19	7
Hex Flange U Nut Axle	G5200180	75	20	23
Hex Flange U Nut M14 Muff Cup Wheel Side Mtg	G5200180	69	18	29
Hex Nut M10 8 Zng Rear & front Engine Mtg	P1200240	69	18	32
Hex Nut M10 X 1.5	G5200410	89	25	29
Hex Nut M10 X 1.5 Bolt Axle	G5200410	75	20	6
Hex Nut M10 X 1.5 Handle Bar Mtg	G5200410	59	14	3
Hex Nut M12X1.75 Hock Absorber Mtg Top	G2200470	69	18	9
Hex Nut M14X2	G2200220	69	18	5
Hex Nut M5 Driver Seat Base	G5200320	89	25	7
Hex Nut M5 Tail Door Knob	G5200320	81	23	16
Hex Nut M6 8 Znb	420305700	55	12	7
Hex Nut M6 Two Sides Only	420305700	79	22	38
Hex Nut M6 Two Sides Only	420305700	79	22	42
Hex Nut M6 Zng Front Fender	P1200060	61	15	14

Part Description	Part No	Page No	Fig No	Ref No
Hex Nut M6 Zng (Tsds-0304)	P1200060	47	10	14
Hex Nut M6 Zng Cover Oil Filter & Strainer Mtg	P1200060	27	2	49
Hex Nut M6 Zng Mud Flap Mtg	P1200060	81	23	37
Hex Nut M6 Zng Passenger Seat Mtg	P1200060	89	25	1
Hex Nut M6 Zng Splash Guard Mtg	P1200060	83	23	53
Hex Nut M8	G3200210	45	9	17
Hex Nut M8 Driver Seat Frame Mtg	G5200330	89	25	12
Hex Nut M8 Resilient Mtg	G5200330	69	18	38
Hex Nut M8 8 Gear Shifter Pulley	0334548	25	2	42
Hex Nut M8 8Levr Parking Brake Mtg	0334548	67	17	13
Hex Nut M8 Cross Member Mtg	G5200330	79	22	34
Hex Nut M8 Link Rod Eng Mtg	G5200330	79	22	25
Hex Nut M8 Spl	G2200780	31	3	1
Hex Nut M8-1.25	G3200210	31	3	18
Hex Nut M8-1.25 Tsds 0304 Cy.Head	G3200210	33	4	14
Hex Nut Pd Gear	0334234	21	1	14
Hex Nut Reducer Mtg	G5200410	93	26	56
Hex Screw M8X16 8.8 Cross Member Mtg	420477700	69	18	41
Hex Screw 2St Stage Diaphragm Lever	G5141550	97	27	53
Hex Screw M10X1.25X20 Differential Lock Mtg	G3200220	43	8	9
Hex Screw M5X 20 Reservoir	G5200290	77	21	5
Hex Screw M5X 20 Rnf Dash Board	G5200290	61	15	42
Hex Screw M5X 20 Rr Unit Mtg	G5200290	81	23	13
Hex Screw M5X10 8.8 Sprocket Oil Pump Mtg	M1200940	27	2	57
Hex Screw M5X16 Reducer Cover Mtg	G5141340	95	27	35
Hex Screw M6 Rnf Brckt	420462700	61	15	44
Hex Screw M6 X 30 Front Fender	G5200390	61	15	16
Hex Screw M6X10 Wheel Cylinder Mtg	N3200250	77	21	27
Hex Screw M6X12 (Oil Level Screw)	420452700	43	8	27
Hex Screw M6X12 8.8 Znb	420452700	27	2	69
Hex Screw M6X12 Stage Reducer Cover Mtg	G5141530	97	27	51
Hex Screw M6X16 8.8 Handle Soft Top	P1200070	83	23	43
Hex Screw M6X16 8.8 Horn Mtg	P1200070	85	24	44
Hex Screw M6X16 8.8 Mud Flap Mtg	P1200070	81	23	35
Hex Screw M6X16 8.8 Tail Door & Lid Fuel Tank Mtg	P1200070	81	23	30
Hex Screw M6X16 8.8 Tensioner Mtg	P1200070	33	4	24
Hex Screw M6X20 8.8 Bkt Cowl Ws	420462700	87	24	52
Hex Screw M6X20 8.8 Wiper Motor Mtg	420462700	85	24	6
Hex Screw M6X25 4.6 Znb 3 Way Union	0331838	77	21	15
Hex Screw M8 X1.25 X 25	G5200270	81	23	3

## PART DESCRIPTION INDEX

Part Description	Part No	Page No	Fig No	Ref No
Hex Screw M8X 20 Driver Seat Frame Mtg	G5200380	89	25	10
Hex Screw M8X16 8.8 (Bolt Back Plate)	420477700	73	19	12
Hex Screw M8X16 8.8 (Bolt Back Plate)	420477700	75	20	12
Hex Screw M8X20 Lock Plate Muff Cup Engine	420454700	75	20	16
Hex Screw M8X20 Muff Cup Eng Mtg	420454700	43	8	2
Hex Screw M8X20 Muff Cup Eng Mtg	420454700	69	18	21
Hex Screw Wm5X12 Mtg Fire Extinguisher	8200120	79	22	43
Hex Screw Wm5X12 Side Block Mtg	8200120	79	22	45
Hex Soc HD Cap Scr M6X16 P 8.8	M1200790	45	9	29
Hex.Nut, Frt Shock Absorber Assy	G2320400	61	15	40
Hexagonal Nut M6 Muffler Buddy Mtg	P1200060	55	12	17
Hinge Comp Tail Door	G5222230	83	23	54
Hinge Cover LPG/CNG	G5122220	89	25	25
Hinge Fuel Tank	G5220679	83	23	56
Hinge Plate Lid	G5230330	65	16	8
Holder Filler Valve	G5140200	93	26	53
Holder Headlamp Bulb, LH / RH With Wiring	G5160350	85	24	10
Holder Magazine	G5300040	65	16	22
Holder Needle Jet	N2320610	53	11	34
Holder Solenoid Valve LPG	G5140650	91	26	39
Holder Water Bottle	G5300050	79	22	17
Hook Kick Starter Shaft Spring	3034050	21	1	43
Hook Kick Starter Shaft Spring	3034050	43	8	31
Horn 12V Dc	G2160040	85	24	41
Hose Air Cut Valve Intake Pipe	G4040600	49	10	38
Hose Air Inlet 2S	G5040060	45	9	23
Hose Air Inlet Hose Air Filter Out	G4040530	49	10	40
Hose Air Potlet	K3040230	49	10	41
Hose air Vent	N5320230	51	11	28
Hose Assembly, Low Pressure CNG	G4140390	97	27	61
Hose Brake Oil	G2110120	77	21	7
Hose Breather Pcv	G4040550	47	10	34
Hose Clip	N2041150	49	10	45
Hose Clip	K140820	57	13	7
Hose Clip	N5320400	53	11	29
Hose Clip Air Injection	N8040350	45	9	26
Hose Clip Dia 43 (Ni) Carburetor Mtg	P100480	47	10	5A
Hose Clip Dia 46 Air Filter Inlet Hose Mtg	M1040140	47	10	5B
Hose Clip Dia 46 Carburetor & Air Filter Mtg	M1040140	47	10	5
Hose Clip Dia 46 Carburetor & Air Filter Mtg	M1040140	47	10	5C

Part Description	Part No	Page No	Fig No	Ref No
Hose Clip Dia 7 To Intake Pipe	R1140350	49	10	37
Hose Clip FUEL TANK	414147000	57	13	18
Hose Clip Hose LPG	A054190	93	26	51
Hose Clip Intake Manifold	S1200920	47	10	5D
Hose Clip Np.054	R2040400	45	9	27
Hose Clip Oil Drain Air Filter Hose	K140820	47	10	18
Hose Clip Vacuum	G5140560	91	26	31
Hose Drain	K3320540	51	11	27
Hose Fuel Cock Out Let 2S&4S	G5140060	57	13	6
Hose Fuel Tank LPG / CNG	G5140400	57	13	15
Hose Fuel Tank Petrol 2S & 4S.	G5140070	57	13	2
Hose Inlet Oil Pump 8.5Mm		57	13	28
Hose Outlet Oil Pump 4.8Mm		57	13	29
Hose Sai Inlet 2S All.	G5040050	45	9	22
Hose Sai Out Let To Muffler	K3040230	45	9	28
Hose Solenoid LPG / CNG	G5140410	57	13	16
Housing Comp Differential 3 Wheeler	G2081420	43	8	16
Hub Clutch	G3070060	37	5	1
Hub Clutch Mc	G4070250	25	2	7
<b>I</b>				
Idle & Power Screw Protection Cap	G4320130	93	26	60
Idle Register Screw With O Ring	G5140960	91	26	17
Idle Register Spring Minirid, Reducer L	G5140870	91	26	10
Idling Adjuster Screw	G2320820	51	11	16
Idling Screw CNG Reducer	G5320980	97	27	55
Ignition Coil Assy 2S New	G5060210	81	23	17A
Ignition Coil Assy 4S	G4060080	81	23	17
Index Star	G3080070	25	2	19
Index Star	G3080070	41	7	12
Indicator Bulb 10W Front	G5160660	85	24	13
Indicator Gearshift	G5150090	59	14	20
Inlet Connection Minirid With O Ring	G5141000	91	26	21
Inner Race Bottom	G2150080	61	15	11
Input Hose LPG 4S (Dia 12*19 L 400 Mm)	G4140070	91	26	25A
Insulator Pad	G4040440	35	4	54
Insulator Pad	G4040440	47	10	7
Inter Bracket PH 2.2 New ( NI)	G4320580	23	1	69
Internal Circlip	G2200660	61	15	24
Isolator H/S	G5121630	67	17	35
<b>J</b>				



## PART DESCRIPTION INDEX

Part Description	Part No	Page No	Fig No	Ref No
Jet Holder	G2320790	51	11	18
Jet Holder Ni	N2320250	51	11	18A
Jet Needle	G5320690	51	11	9B
Jet Needle	G3320120	51	11	9C
Jet Needle	N5320220	51	11	9D
Jet Needle	N2320270	51	11	9
Jet Needle	G4320120	51	11	9A
<b>K</b>				
Key Primary Driven Gear	3044070	21	1	6
Key Primary DrivenGr	3044070	29	2	99
Knob M5	G5123830	81	23	19
<b>L</b>				
Lamp Assy License Plate	G5160220	85	24	33
Level Indicator CNG Old (Ni)	G5160270	65	16	21A
Level Indicator LPG Old (Ni)	G3160560	65	16	21B
Lever 1St Stage Diaphragm	G5141370	95	27	38
Lever Assy Clutch New	G5150570	59	14	22
Lever Parking Brake	G2110910	75	20	24
License Plate Bulb	G5160390	87	24	60
Lid Battery Box	G5221780	85	24	45
Lid Comp Fuel Tank Yellow	G52206505R	81	23	26
Lid Dashboard	G5230140	65	16	1
Liner Brake Shoe	G2111340	73	19	4
Liner Brake Shoe	G2111340	75	20	27
Link ,Rear Eng Cradle	G5123720	79	22	21
Locating Pin (Brake Cam )	G5320610	73	19	31
Locating Pin (Brake Cam )	G5320610	75	20	9
Lock Assy Fuel Tank Lid	G5320380	81	23	29
Lock Assy Handle Bar New	G5320400	63	15	51
Lock Assy Handle Bar Old (Ni)	G3120900	63	15	51A
Lock Assy Ignition	G5320370	65	16	11
Lock Assy Lid Dashboard	G5320410	65	16	2
Lock Assy Tail Door New	G5320390	81	23	21
Lock Assy Tail Door Old Long Leg	G5221560	81	23	21A
Lock Nut	G5141070	95	27	4
Lock Nut Flow Adjusting Screw	G5141510	97	27	50
Lock Nut Idling Screw	G5320940	97	27	54
Lock Nut Inlet Tube	G5141540	97	27	52
Lock Nut M38X1.5 10mm	G5150290	61	15	1
Lock Nut M38X1.5 7mm	G2200250	61	15	3

Part Description	Part No	Page No	Fig No	Ref No
Lock Pin Satellite Gear 3 Wheeler	G2081220	43	8	11
Lock Plate	G2110370	75	20	13
Lock Plate	G2110370	73	19	10
Lock Plate Comp	G2080540	43	8	3
Lock Plate Comp Muff Cup Eng Mtg	G2080540	69	18	20
Lock Plate Differential 3 Wheeler	G2081240	43	8	8
Lock Plate Muff cup Engine Side	G2080540	75	20	15
Lock Washer 38.5 Dia	G5150300	61	15	2
Lock Washer Brake Shoe	G2110360	73	19	9
Lock Washer Brake Shoe	G2110360	75	20	10
LPG Choke Solenoid Assy	G5141020	91	26	23
LPG Choke Switch-Self Return Type	G3160680	65	16	41
LPG Cylinder 200X550	G5140080	93	26	58
LPG Input Hose 2S	G5140260	91	26	25
LPG Mixer Body 2S.	G2041680	47	10	4
LPG Mixer Body 4S. (Ni)	G4040580	47	10	4A
LPG Reducer 2S.	G5140250	91	26	1A
LPG Reducer 4S.	G4140090	91	26	1
<b>M</b>				
M8 Spring Washer Cross Member Mtg	G5110210	79	22	33
Magneto Assy Es 2S with coil	G3060040	23	1	51
Main Jet	R1321590	51	11	19C
Main Jet	R1320410	51	11	19
Main Jet Ni	G4320100	51	11	19A
Main Jet Ni	G5320480	51	11	19B
Main Spring, Front Shock Absorber Assy	G2320340	61	15	30
Main Spring, Rear Shock Absorber Assy	G2320440	71	18	48
Master Cylinder	G2110020	77	21	33
Micro Switch	G5141200	95	27	15
Mirror Assy LH Rear View.	G5221970	85	24	31
Mirror Assy RH Rear View	G5221980	85	24	3
Mixer Body Assy CNG 2S (Ni)	G2041690	47	10	4B
Mixer Body Assy CNG 4S (Ni)	G4040610	47	10	4C
Mixing Body Assembly	G2320720	51	11	11
Mixing Body Assembly Ni	G4320150	51	11	11A
Mixing Cap Assembly	G2320770	51	11	2
Mtg Bracket Wiper Motor (Ni)	G5320620	87	24	62
Mud Flap	G5221660	81	23	6
Muff Cup Engine	G208250	43	8	32
Muff Cup Engine	G2081250	69	18	18

## PART DESCRIPTION INDEX

Part Description	Part No	Page No	Fig No	Ref No
Muff Cup Flange (Wheel Side)	G2080080	69	18	28
Muffler Sub Assy 2 S CNG Bs Iii	G5050030	55	12	2
Muffler Sub Assy 2 S LPG & Petrol Bs Iii (Ni)	G5050020	55	12	2A
Multi Valve LPG	G5140090	91	26	33
N				
Needle Bearing 20X26X12	G2200570	61	15	23
Needle Bearing 35 X 43 X 2 Trailing Arm	G2200680	69	18	13
Needle Bearing 35 X 43 X 24 Trailing Arm Front	G2200680	61	15	20
Needle Cage 28X33X13	G2201100	67	17	30
Needle Cage 28X33X13 Hs Shaft	G2201100	25	2	29
Needle Cage Piston Pin 16X20X20	G2200430	31	3	8
Needle Jet	G2320810	51	11	5
Needle Jet (Ni)	G4320110	51	11	5A
Needle Jet (Ni)	G4320310	51	11	5B
Needle Jet (Ni)	R1321610	51	11	5C
Needle Roller Bearing 18X24X12 Ccs	G3200050	21	1	34
Needle Roller Bearing 18X24X14 Counter Shaft	G4200020	27	2	80
Needle Valve Assembly	K3320320	51	11	20
Number Plate - Golden Yellow	G52208905R	81	23	7
Nut Clutch M16X1.25	G3200070	27	2	63
Nut Clutch M16X1.25 LH	G3200070	37	5	6
Nut M5 Reducer Cover Mtg	G5141350	95	27	36
Nylon Lock Nut M6 8 Znb	409047000	59	14	23
Nylon Washer	G5141220	95	27	7
O				
O Ring Muff Cup Differential Mtg	0248010	43	8	17
O Ring 25 X 2.85 Adopter Carb	G2200550	47	10	16
O Ring Adopter TMC	G5320060	77	21	39
O RING AIR INJECTION SAI OUTLET	N8040340	49	10	46
O Ring Air Screw	N2320420	53	11	31
O Ring Bowl CNG Solenoid	G5141800	95	27	26
O Ring Cap Brass Filter Tube	G5141240	95	27	19
O Ring Cap Fare Meter	G2200550	43	8	5
O Ring Connector	G5141090	95	27	6
O Ring Cover Vapour Box Big	G5140120	93	26	50
O Ring Cylinder Piston	G5141120	95	27	9
O Ring Drain Plug Solenoid	G5140780	95	27	24
O Ring Filler Dust Plug	G5141130	95	27	10
O Ring Filler Valve Retainer Joint	G5141170	95	27	13
O Ring Flow Adjusting Screw	G5321170	97	27	60

Part Description	Part No	Page No	Fig No	Ref No
O Ring For Elbow, Reducer LPG	G5140990	91	26	20
O Ring Holder Solenoid	G5140660	91	26	38
O Ring Idling Screw	G5141450	95	27	44
O Ring Neutral Switch	G2200550	35	4	56
O Ring Neutral Switch	G2200550	41	7	20
O Ring Outlet Tube Joint	G5141480	97	27	47
O Ring Outlet Tube Stem	G5141470	97	27	46
O Ring Pipe Intake	R1040430	35	4	51
O Ring Plunger	G5141820	95	27	27
O Ring Red Piston Cylinder	G5141100	95	27	17
O Ring Steering Colm Mtg	G5100010	61	15	29
O Ring Stop Screw	G5320090	77	21	38
O Ring Ventilation Box On Tank Small	G5140310	93	26	47
Oil Drain Plug C/W, Reducer LPG	G5140910	91	26	12
Oil Pressure Switch	G4160170	29	2	100
Oil pump Assy	G4080100	27	2	61
Oil pump Assy -33CC	G5080380	45	9	2
Oil Seal 18 *12* 4 (Clutch Release Rod)	G4200100	25	2	44
Oil seal 18 *12* 4 (Clutch Release Rod)	G4200100	45	9	8
Oil seal 8X19X5 (Oil Level Screw)	G3200180	43	8	28
Oil seal 8X19X5 (Fare Meter Oil Seal)	G3200180	43	8	21
Oil seal Crankshaft L	G2200320	21	1	40
Oil seal Crankshaft L	G2200320	27	2	88
Oil seal Crankshaft R	G2200330	21	1	7
Oil seal Differential	G2200360	21	1	32
Oil seal Differential	G2200360	27	2	77
Oil seal Differential	G2200360	43	8	1
Oil seal Drive Shaft	G2200340	21	1	37
Oil seal Drive Shaft	G2200340	27	2	83
Oil Seal Gear Shift Shaft	N2081720	21	1	29
Oil Seal Gear Shift Shaft	N2081720	25	2	39
Oil seal Kick starter Shaft	G2200350	21	1	39
Oil seal Kick starter Shaft	G2200350	27	2	87
Oil Strainer	G2082390	27	2	52
Oil Tank Cap Assy	G5141890	57	13	19
Oil Tank W/O Cap	G5140030	57	13	22
Operation Sticker	G5210310	65	16	24
O-Ring	S1200860	21	1	27
O-Ring	S1200860	27	2	54
O-Ring 1.8X15	G5121830	67	17	3

## PART DESCRIPTION INDEX

Part Description	Part No	Page No	Fig No	Ref No
O-Ring 1.8X15 Lid Dash Board Lock Mtg	G5121830	65	16	5
O-Ring 29.5X3	M1010390	33	4	42
O-Ring 52.6X2.4	M1080600	25	2	47
O-Ring Cover Oil Strainer	G4200010	27	2	51
O-Ring Flange	N2320570	51	11	12
O-Ring Pipe Intake	R1040430	47	10	13
Outer Race Bottom	G2150620	61	15	9
Outer Race Top	G2150630	61	15	4
Outlet Elbow Minirid Reducer	G5140980	91	26	19
<b>P</b>				
Packing Banjo Bolt Front	7100310	77	21	19
Packing Bottom Battery	G5123350	85	24	12
Packing Bundy Tube (Rubber Grommet)	G2111500	77	21	22
Packing Chassis Cabin	G5122610	79	22	2
Packing Chassis Cabin	G5122610	83	23	40
Packing Floor Cabin	G5120769	81	23	5
Packing Parking Brake	G2111190	75	20	22
Packing Support Seat Base	G5120779	79	22	20
Packing Support Seat Base	G5222440	81	23	33
Pad Lever 1St Stage Diaphragm	G5141380	95	27	39
Pad Brake Pedal	G5121730	77	21	14
Pan Head Screw RCB Lense	G5160490	85	24	23
Panel LH B Pillar	G5120149	89	25	32
Panel RH B Pillar	G5120169	89	25	37
Paper Filter Solenoid CNG	G5141790	95	27	25
Parking Brake Cable Assy	G5170070	67	17	12
Parking Bulb 4W Front	G5160670	87	24	61
Passenger Cabin Black	G52214903D	81	23	1
Petrol Solenoid Valve CNG (Ni)	G5141040	57	13	17A
Petrol Solenoid Valve LPG	G4160420	57	13	17
Philips Hd Screw M4X15 Cover Handlebar Mtg	420957700	59	14	24A
Philips Head Screw M3X20	G5141210	95	27	16
Pick Up / Pulsar Coil	G3060200	23	1	56
Pick Up / Pulsar Coil	G3060200	35	4	66
Pilot Jet	G3320150	51	11	17B
Pilot Jet	K3320340	51	11	17
Pilot Jet Ni	R1320400	51	11	17A
Pin	G2201030	67	17	19
Pin Hinge	G5230320	65	16	9
Pin 10 * 120 Hinge Cove LPG/CNG	G5200100	89	25	26

Part Description	Part No	Page No	Fig No	Ref No
Pin 10 * 50 Strap LPG Tank Mtg	G5200090	89	25	23
Pin 10 * 95 Strap CNG Tank Mtg	G5200080	89	25	23A
Pin Clutch Release	G4070230	27	2	65
Pin Clutch Release	G3070260	45	9	10
Pin Dia 3X29 For Rocker Lever LPG	G5140830	91	26	6
Pin Fork Shift Low Speed	G3080210	41	7	6
Pin Gear Shift	G3080300	27	2	93
Pin Gear Shift	G3080300	45	9	13
Pin Hinge Fuel Tank	G5221140	81	23	32
Pin Hinge Tail Door	G2200610	81	23	23
Pin Index Star	G2082380	41	7	13
Pin Master Cylinder	G2111610	77	21	8
Pin Parking Brake	G2110940	67	17	11
Pin Parking Brake	G5110080	75	20	20
Pin Propeller Shaft	G2080030	69	18	22
Pin Satellite Gear 3 Wheeler	G2081230	43	8	12
Pin Shift Fork	N2080520	41	7	2
Pin Sprocket Knock	M1010490	33	4	3
Pipe Comp Sai To Cy.Block	G4040520	49	10	43
Pipe Comp Say 2S	G5040070	55	12	21
Pipe Comp, Air Cooled	G4050259	55	12	6
Pipe Complete 2S	G2051149	55	12	19
Pipe Intake Comp LPG	G4040570	35	4	49
Pipe Intake Comp LPG/ CNG	G2041540	47	10	8A
Pipe Intake Comp Petrol	G4040340	35	4	53
Pipe Intake Comp Petrol	G2041430	47	10	8
Piston 62.00	G4020080	27	2	73
Piston Kit - 2S Standard	G2020160	31	3	10
Piston Kit Over Size 1	G3320080	31	3	10A
Piston Kit Over Size 2	G3320090	31	3	10B
Piston Multi Valve LPG Solenoid	G5140680	91	26	36
Piston Pin	G2010200	31	3	16
Piston Pin 4S	G4020090	27	2	71
Piston Ring 2Nd 62.00	G4020100	27	2	76
Piston Standard	G2010110	31	3	9
Piston Valve	G3320140	51	11	10C
Piston Valve	G2320750	51	11	10
Piston Valve Ni	G4320090	51	11	10A
Piston Valve Ni	G4320300	51	11	10B
Pivot Pin Front	G2100170	61	15	22

## PART DESCRIPTION INDEX

Part Description	Part No	Page No	Fig No	Ref No
Plain Washer	0335578	79	22	37
Plain Washer Rnf Dash Board	P1200100	61	15	46
Plain Washer A,B, C Pillar Mtg	0335578	79	22	41
Plain Washer Front Fender Front Fender	G5200170	61	15	15
Plain Washer Indicator Front Mtg	P1200100	85	24	22
Plain Washer M3 RCB Lense	G5160500	85	24	24
Plain Washer M5 Passenger Side Panel Mtg	0335558	89	25	42
Plain Washer Side Block Mtg	335558	79	22	46
Plate Clutch Driven	G1070180	37	5	9
Plate Clutch Drive	G1070030	37	5	8
Plate Clutch Drive - Type A	G4070270	25	2	1
Plate Clutch Drive - Type B	G4070290	25	2	3
Plate Clutch Drive - Type C	G4070280	25	2	6
Plate Clutch Drive Single	G3070310	37	5	10
Plate Clutch Driven .	G4070340	25	2	2
Plate Clutch Release	G3070100	37	5	3
Plate Clutch Release Mc	G4070260	25	2	9
Plate Lock Arm Spring Reverse	G2082360	39	6	18
Plate Mud Flap	G5123400	81	23	27
Plate Seal 2Nd Stage Diaphragm	G5140950	91	26	16
Plate Stopper Reverse	G2082370	41	7	19
Plate, Parking Brake	G2111170	75	20	21
Plug Cylinder Head	M7010910	33	4	28
Plug Rocker Shaft	M1010540	33	4	37
Plug TDC (Oil Drain Bolt )	N2081680	21	1	16
Plug Tdc Oil Drain & Filling Bolt	N2081680	43	8	23
Power Screw With O Ring	G5140970	91	26	18
Pressure Gauge With Sensor	G5141270	95	27	21
Propeller Shaft	G2080020	69	18	23
Propeller Shaft With Pin (Ni)	G2080010	69	18	23A
Pulley Gear Shift	G3080290	25	2	40
Pulley Gear Shift	G3080290	45	9	15
Pulley Gear Shift	G5150210	59	14	17
Pulley Parking Brake	G2110790	67	17	10
Pulley Throttle	G5150240	59	14	11
Punched Washer Fuel Cock Mtg	G5200300	57	13	4
Punched Washer Shock Absorber Mtg	420015700	69	18	7
Punched Washer 10.5 X18X1.6	G5200310	89	25	30
Punched Washer 12.5X17X1 Zng	M1200320	29	2	96
Punched Washer 14.5X22 Trailing Arm Mtg	0335698	69	18	3

Part Description	Part No	Page No	Fig No	Ref No
Punched Washer 14.5X22X0.8	N3200070	45	9	9
Punched Washer 14.5X22X0.8 Clutch Release Rod	N3200070	29	2	101
Punched Washer 14.5X22X1.6 Znb	0335698	77	21	12
Punched Washer 18X39X3	G2200990	67	17	24
Punched Washer 18X39X3 Hs Shaft	G2200990	27	2	86
Punched Washer 5.5 X 12 X 1	G5200340	77	21	4
Punched Washer 5.5 X 12 X 1 Flasher Mtg	G5200340	65	16	19
Punched Washer 5.5 X 12 X 1 Lid Mtg & Dash Mtg	G5200300	65	16	7
Punched Washer 5.5 X 12 X 1 Mob charger	G5200340	65	16	35
Punched Washer 5.5 X 12 X 1 Rnf Dash Board	G5200340	61	15	43
Punched Washer 6.5X13X1	0335578	71	18	59
Punched Washer 6.5 Tail Door & Lid Fuel Tank Mtg	N3200120	83	23	39
Punched Washer 6.5X13X1.0 Driver Seat Base	N3200120	89	25	8
Punched Washer 6.5 Drvr Seat Base Mtg LPG/CNG	N3200120	89	25	19
Punched Washer 6.5X13X1.0 Zng	0335578	87	24	53
Punched Washer 8.5 Spring Brake Shoe	G5200490	73	19	11
Punched Washer 8.5 Spring Brake Shoe	G5200490	75	20	11
Punched Washer 8.5 X 20 X 2 Resilient Mtg	G5200400	69	18	36
Punched Washer 8.5 X 25 X 2	G5200280	81	23	4
Punched Washer 8.5 X 25 X 2 Drvr Seat Frame Mtg	G5200280	89	25	11
Punched Washer 8.5X18X2.3	M1200060	31	3	3
Punched Washer 8.5X18X2.3 Cy Head	M1200060	33	4	17
Punched Washer Cover Handlebar Mtg	0336088	59	14	25
Punched washer Cross Member Mtg	G5200400	69	18	42
Punched Washer cross Member Mtg	G5200400	79	22	32
Punched Washer Fan mtg	P1200120	21	1	46
Punched Washer Handle Bar Mtg	0335678	59	14	4
Punched Washer Handle Bar Switch Mtg	G5200340	59	14	9
Punched Washer Link Rod Eng Mtg	G5200400	79	22	23
Punched Washer Logo Grill	G5200340	85	24	30
Punched Washer Mud Flap Mtg	N3200120	81	23	36
Punched Washer Muffler Mtg To Chassis	0336018	55	12	12
Punched Washer Parking Brake Mtg	G5200400	67	17	14
Punched Washer Rear Engine Mtg	420008700	69	18	33
Punched Washer Reducer Mtg	G5200310	93	26	54
Punched Washer Rr Unit Mtg	G5200340	81	23	12
Punched Washer Shock Absorber	420015700	61	15	36
Punched Washer Speedo Cable To Drive Joint	G5200340	73	19	20
Punched Washer Speedometer Mtg 2S	N3200120	73	19	24
R				

## PART DESCRIPTION INDEX

Part Description	Part No	Page No	Fig No	Ref No
Ratchet Hand Start	G2082210	25	2	24
Ratchet Hand Start	G2082210	67	17	26
Ratchet Parking Brake	G2110770	67	17	8
Rear Combination Lamp Glass, LH / RH	G5160360	85	24	26
Rear Combination Lamp LH	G5160100	85	24	14
Rear Combination Lamp RH	G5160110	85	24	15
Rear Mudguard LH	G5230520	83	23	49
Rear Mudguard RH	G5230530	83	23	50
Rear Shock Absorber W/O Spring	G2320430	71	18	47
Reed Valve Assy	G2040730	47	10	12
Reflector Head Lamp Assly, LH	G5160330	85	24	20
Reflector Head Lamp Assly, RH	G5160340	85	24	36
Reinf Comp Dashboard	G5230280	61	15	41
Relay Starter Motor	R2160100	83	23	45
Resilient Mounting	G2030230	69	18	34
Retainer Arm Reverse	G2082350	41	7	18
Retainer Bearing	G3080320	21	1	20
Retainer Bearing	G3080320	27	2	68
Retainer Brass Filter Cap	G5321180	95	27	20
Retainer Valve Spring	N2011040	33	4	8
Retainer Washer, Frt Shock Absorber Ass	G2320380	61	15	37
Retining Clip For Solenoid	G5140670	91	26	40
Reverse Indicator Bulb	G5160700	87	24	59
Rim Assy	G2111090	75	20	7
Ring (Shim)	R1321530	53	11	37
Ring Gear Es	G3080359	23	1	55
Ring Gear Es	G3080359	35	4	65
Ring Knob Tail Door	G5222440	81	23	38
Ring Piston	G2010140	31	3	6
Ring Piston 1 Oversize - N.I.	G2320030	31	3	6A
Ring Piston 2 Oversize - N.I.	G2320040	31	3	6B
Ring piston 2nd I O/S (NI)	G4320190	29	2	103
Ring piston 2nd II O/S	G4320200	29	2	106
Ring Piston Top	M7020340	27	2	75
Ring piston top I O/S (NI)	M7321820	29	2	102
Ring piston top II O/S	M7321830	29	2	105
Rivet Compliance Plate	G5200160	89	25	39
Rocker Arm Assy	M7010780	33	4	1
Rod Comp Clutch Release	G3070220	25	2	31
Rod Comp Clutch Release	G3070220	45	9	6

Part Description	Part No	Page No	Fig No	Ref No
Roller Chain 86 Link Oil Pump Drive	G4080150	25	2	13
Rotor Assly With Ring Gear	G5060070	23	1	62
Rotor Assy	G4320260	35	4	58
RR Unit	G5060290	81	23	10
Rubber Bush, Frt Shock Absorber Assy	G2320390	61	15	38
Rubber Cap Cable	R1321670	51	11	1
Rubber Cushion, Cowl-Ws	G5222690	87	24	51
Rubber Hose Vacuum	G5140280	91	26	30
Rubber Ring Cylinder CNG	G5123180	89	25	40
Rubber Ring Cylinder LPG (Ni)	G5123170	89	25	40A
Rubber Washer M3 RCB Lense	G5160510	85	24	25
<b>S</b>				
Satellite Gear 3 Wheeler	G2081410	43	8	14
Screw - Crph M6X16 6.8 Dash Board Mtg	0332275	65	16	13
Screw - Crph M6X16 6.8 Znk	0332275	79	22	18
Screw Brckt Chk Cble	N5320340	51	11	7
Screw Flange Inlet	N3200360	49	10	36
Screw Mtg Filler Valve	G5200060	93	26	57
Seal (Ni)	G2320740	51	11	23
Seal Air Filter	G4040150	47	10	27
Seal Carburetor Bowl	3087110	51	11	23A
Seal Valve Stem Oil	N4011100	33	4	11
Sealing Cowl Windshield	G5120830	79	22	11
Sealing Ring Headlamp(Small Inner Side)	G2160460	87	24	48
Sealing Washer	G5141160	95	27	12
Sealing Washer Drain Bolt	S1011290	21	1	15
Sealing Washer Oil Drain & Filling Bolt	S1011290	43	8	24
Seat Assy Passenger Brown	G51300207H	89	25	4
Seat Base Assy Driver Brown	G31301507H	89	25	6
Seat Base Middle Reinforcement	G52222739	89	25	16
Seat Valve Spring	M1010610	33	4	12
Sec Air Injection Valve Assy	G5040080	45	9	21
Secondary Air Injection Valve	N9041060	49	10	44
Shaft Comp Fare meter Drive	G2080740	43	8	4
Shaft Comp Rear, H/S	G5120990	67	17	37
Shaft Counter Comp 2S	G2081580	39	6	1
Shaft Drive Assy 2S & 4S	G2081620	41	7	22
Shaft Drive With Worm	G2081630	39	6	20
Shaft Gear Shift	G3080270	27	2	94
Shaft Gear Shift	G3080270	45	9	14

## PART DESCRIPTION INDEX

Part Description	Part No	Page No	Fig No	Ref No
Shaft Hand Start	G2082190	25	2	30
Shaft Hand Start	G2082190	67	17	29
Shaft Rocker Arm	M7010850	33	4	39
Shim 15. X 21 X 0.3 Slider Block (NI)	G5200540	71	18	54B
Shim 15. X 21 X 0.4 Slider Block (NI)	G5200530	71	18	54A
Shim 15. X 21 X 0.5 Slider Block	407113000	71	18	54
Shim 17X24X1.0 Oiled	0335024	39	6	14
Shim 17X24X1.0 Oiled For Flexible Hose Cowl Joint	0335024	77	21	23
Shim 20X32X1.5	G2200530	37	5	15
Shim 20X32X1.5	G2200530	67	17	25
Shim 20X32X1.5 Clutch	G2200530	27	2	92
Shim 20X32X1.5 Hs	G2200530	25	2	26
Shim 21X30X1.8 3 Wheeler	G2200050	39	6	22
Shim 25.5X32X1.2 3 Wheeler	G2200480	39	6	2
Shim 28X38X1.0	G2200970	25	2	27
Shim 28X38X1.0	G2200970	67	17	27
Shim 6 X 12 X 1	G3200240	41	7	8
Shim Differential Housing 3 Wheeler	G2081210	43	8	13
Shim Sq Spline 25X1.2 3 Wheeler	G2200690	39	6	9
Shim Sq Spline Dia23X1.2	G2201000	39	6	7
Shock Absorber Assy Fr	G2100010	61	15	18
Shock Absorber Assy Rear	G2090100	71	18	46
Shock Absorber Front W/O Spring	G2320540	61	15	19
Side Block Soft Top LH/RH Plastic Mould	G5230550	79	22	31
Side Cover L Passenger Seat Brown	G52210397H	89	25	5
Side Cover R Passenger Seat Brown	G52210497H	89	25	14
Side Panel Handle Soft Top Belt	G5220270	81	23	24
Side Tube LH , RH	G5220170	79	22	13
Silent Block Trailing Arm Front	G2100200	61	15	27
Silent Block, Trailing Arm Rear	G2090060	69	18	12
Sleeve Bearing Hand Starter Rear Red Big	G5122710	67	17	21
Sleeve Steering Column	G5150530	59	14	7
Slider Block	G2080040	69	18	25
Small Diaphragm 2Nd Stage	G5141300	95	27	33
Socket Mobile Charger	G5161110	65	16	33
Soft Top Comp Rear - C Pillar Assy	G5220920	79	22	1
Spacer Assy	G5090010	69	18	11
Spacer Clutch	G3070050	27	2	67
Spacer Clutch	G3070050	37	5	14
Spacer Clutch 8 Mm Shim	G4070240	25	2	34

Part Description	Part No	Page No	Fig No	Ref No
Spacer Gear Shift Shaft	G3080280	45	9	11
Spacer Hand start	G2082230	67	17	33
Spacer Nut, Frt Shock Absorber Assy	G2320370	61	15	39
Spacer Plate Wheel 1.6Mm (Ni)	G4320540	73	19	2A
Spacer Plate Wheel 2.5Mm	G4320550	73	19	2
Spacer Roller Gear Shift Fork Pin	N2081570	41	7	4
Spacer Tube Gear Shift	G4150060	59	14	18
Spark Plug 2S WQR6DC	G5010030	31	3	17
Spark Plug 4S	G4011310	33	4	29
Speaker Grill Lh	G5230370	65	16	31
Speaker Grill Rh	G5230380	65	16	30
Special Bolt M5 Clutch Lever Mtg	G3150250	59	14	21
Speedo Cable Inner	G5150450	73	19	19
Speedo Drive Assy	G2111290	73	19	21
Speedo Drive Comp	G2111320	73	19	16
Speedometer Assy	G5160150	73	19	23
Split Pin	0331580	65	16	10
Split Pin	330028	89	25	24
Split Pin 2.0X20 Tail Door And Fuel Lid	0330048	81	23	22
Split Pin 2.0X20 Pin TMC	0330048	77	21	9
Split Pin 3.2X25 Brake Pedal Mtg Pin	0330028	77	21	11
Split Pin 3.2X25 Znb	0330028	67	17	7
Split Pin Mtg Cover CNG/LPG	0330028	89	25	27
Split Pin Pulley	0330048	67	17	41
Split Pin Ratchet	0330038	67	17	9
Split Pin Strut Parking Brake	0331580	75	20	19
Spring H/S Pin Frnt & Rear	G5121640	67	17	1
Spring 2Nd Stage Diaphragm	G5141430	95	27	42
Spring Air Screw	K3320510	51	11	14
Spring Brake Shoe Return Bottom	G2110330	73	19	5
Spring Brake Shoe Return Bottom	G2110330	75	20	8
Spring Brake Shoe Return Top	G2111860	73	19	6
Spring Brake Shoe Return Top	G2111860	75	20	25
Spring Brake Switch	G2160340	77	21	31
Spring Clip Front H/S	G5121710	67	17	40
Spring Clip Rear H/S	G5121700	67	17	39
Spring Clip H/S Front	G5123160	67	17	42
Spring Clutch	G3070070	37	5	2
Spring Clutch ( New Spring 980Nm)	G4070330	25	2	8
Spring Clutch Cable Return	G3070240	25	2	32

## PART DESCRIPTION INDEX

Part Description	Part No	Page No	Fig No	Ref No
Spring Clutch Cable Return	G3070240	45	9	7
Spring Clutch Judder	G3070300	37	5	11
Spring Clutch Judder -4S	G4070300	25	2	4
Spring Co	N2320330	51	11	15
Spring Complete Valve For LPG Solenoid	G5140690	91	26	35
Spring Disc	S1201050	37	5	5
Spring Disc (Washer PD Gear )	S1201050	21	1	13
Spring Dowel	M7200500	39	6	23
Spring Filler Valve Retainer	G5141180	95	27	14
Spring Gear Shift Cam Stopper	G2082140	41	7	7
Spring Gearshift Cam lock Arm	R1080160	39	6	17
Spring Guide Idling Screw	G5141580	97	27	56
Spring Hand start	G2082260	27	2	85
Spring Hand start	G2082260	67	17	23
Spring Handle Bar Lock	G3120970	63	15	49
Spring Idling Adjuster Co	K3320400	53	11	33
Spring Idling Adjuster Co Ni	G2320960	53	11	33A
Spring Idling Screw	G5321000	95	27	45
Spring Inside Cap	G2320850	53	11	39
Spring Neutral Switch	U6080430	41	7	15
Spring Oil Filter Cap	M1080620	25	2	46
Spring Ratchet Hand start	G2082220	25	2	20
Spring Ratchet Hand start	G2082220	67	17	32
Spring Relief Valve	G5141110	95	27	8
Spring Shoe Holding	G2110350	73	19	8
Spring Shoe Holding	G2110350	75	20	14
Spring Throttle	G2320960	51	11	4
Spring To	G2320890	51	11	6
Spring Valve Inner	M1010570	33	4	10
Spring Valve Outer	M1010580	33	4	9
Spring Washer A10	G5110200	89	25	31
Spring Washer Bolt Axle	G5110200	75	20	5
Spring Washer M14	G2200210	69	18	4
Spring Washer M5 Reducer Cover Mtg	G5141330	95	27	34
Spring Washer Reducer Mtg	G5110200	93	26	55
Sprocket Camshaft 32T	M1010210	33	4	4
Sprocket, 25T	G4080130	27	2	60
Square Nut	G5200110	73	19	25
Starter Motor New (Ph.2.2)	G4060170	21	1	41
Starter Relay Assy	G5160930	81	23	25

Part Description	Part No	Page No	Fig No	Ref No
Stator Assy	G4320270	35	4	59
Stator Coil Assy 2S	G3060190	23	1	53
Steering Column	G2150010	63	15	48
Sticker Electric Start	G5210350	65	16	42
Sticker Tyre Rotation	G5210330	65	16	38
Stop Pin Air Leak Screw	G5320350	77	21	37
Stopper Comp Gearshift	G2082110	41	7	9
Stopper Hand Start	G5122640	79	22	27
Stopper Oil seal	G3180230	23	1	54
Stopper Oil seal	G3180230	33	4	31
Strap Front CNG (Ni)	G5122870	89	25	21A
Strap Front LPG	G5122950	89	25	21
Strap Rear CNG (Ni)	G5122880	89	25	22A
Strap Rear LPG	G5122960	89	25	22
Strut Comp Parking Brake	G2110920	75	20	18
Stud	K3320480	53	11	30
Stud Bolt Cyl Head	G4010040	25	2	23
Stud Bolt Cyl Head	M1200780	33	4	15
Stud Bolt Cylinder	G2200590	21	1	2
Stud Bolt Intake Manifold	M1200780	21	1	42
Stud Bolt M8	G2201140	31	3	12
Support Lh Front H/S	G5121660	67	17	2
Support Rh Front H/S	G5121670	67	17	43
Support Shaft H/S	G5121650	67	17	38
Support Air Cleaner	G4040110	47	10	30
Support Brkt Cover-CNG/LPG	G5222750	89	25	36
Suppressor Cap Old	N9060280	83	23	55
Switch Assy Dash Board	G5160010	65	16	12
Switch Assy Fuel Warning 5 Ltr	G3160130	57	13	10
Switch Assy Fuel Warning 8 Ltr (Ni)	G4160290	57	13	10A
Switch Assy Gear Position	G2060040	41	7	1
Switch Assy Handle Bar	G5160030	59	14	16
Switch Assy Oil Warning	G3160210	57	13	21
Switch Contact Gear Position	U6080440	41	7	16
T				
T Piece	G5123740	79	22	28
T Pipe Breather	G4080300	47	10	33
Tail Door Allen Screw M5X35	G5200430	81	23	14
Tail Door Assy Rikshaw Black	G52206003D	81	23	20
Tc M4*6 Screw, Elbow Reducer Mtg LPG	420515700	91	26	5

## PART DESCRIPTION INDEX

Part Description	Part No	Page No	Fig No	Ref No
Te M5*12 Screw Uni 8110, Reducer LPG	G5140810	91	26	4
Tell Tale Lamp Cluster - Petrol	G5160210	65	16	15
Tell Tale Lamp Cluster LPG/CNG (Ni)	G3160610	65	16	15A
Tensioner Camchain	G4010050	33	4	27
Thermal Sensor	K3060260	81	23	9
Throttle Cable Assy -2S (Ni)	G5170010	69	18	1A
Throttle Cable Assy -4S	G4170020	69	18	1
Throttle Potentio Meter	N4160180	65	16	39
Tool Kit 2S (Ni)	G5300010	65	16	32A
Tool Kit 4S	G4210110	65	16	32
Torsion Spring Brake	G3120240	77	21	10
Trailing Arm Assy Rear RH (Ni)	G2090320	69	18	10A
Trailing Arm Bolt M14X245	G2200160	69	18	2
Trailing Arm Comp Rear LH	G2090330	69	18	10
Trailing Arm Front	G2100210	61	15	21
Tube Comp Throttle	G5150160	59	14	12
Tube Gear Shift Comp	G4150080	59	14	19
Tube Inlet	G4040160	47	10	21
Tube Outlet Air Filter (Ni)	G2041380	47	10	3A
Tube Outlet Air Filter (Ni)	G4040299	47	10	3B
Tube Outlet Air Filter (Ni)	G4040070	47	10	3C
Tube Outlet Air Filter Only Export (Ni)	G4040690	47	10	3D
Tube Outlet Gasoline	G5040020	47	10	3
Tubular Dowel 10X12	G3200200	43	8	20
Tubular Dowel 10X12	G3200200	43	8	25
Tubular Dowel 10X12 Differential Case	G3200200	21	1	38
Tubular Dowel Cy Head & Block	S1200270	33	4	25
<b>U</b>				
U Nut M8X1.2 Muffler Mtg To Chassis	M1200890	55	12	11
<b>V</b>				
Vacuum Diaphragm Reducer LPG	G5140940	91	26	15
Vacuum Fitting With O Ring, Reducer LPG	G5141010	91	26	22
Vacuum Stage Spring, Reducer LPG	G5140860	91	26	9
Valve Exhaust	M7010280	33	4	13
Valve Intake	M7010270	33	4	32
Vapour Box Assy	G5140750	91	26	46
Ventilation Box LPG	G5140110	93	26	49
<b>W</b>				
Washer	N2320630	53	11	35
Washer - Out Let Tube Mtg	G5141360	95	27	37

Part Description	Part No	Page No	Fig No	Ref No
Washer 12.5 Gear Shifter Shaft	M1200320	45	9	31
Washer Cam Chain Tensioner	N2010960	35	4	63
Washer Clutch Judder	G3070290	37	5	12
Washer Clutch Judder - 4S	G4070310	25	2	5
Washer Sprocket	M1080500	33	4	5
Washer Sprocket Oil Pump Mtg	8200300	27	2	58
Washer, Hand Start	G5230440	67	17	16
Washer, Hand Start	G5120920	67	17	17
Washer, Indicator Lamp Front	G5160560	85	24	29
Wave Spring Washer	0330408	79	22	36
Wave Spring Washer Muffler Body Mtg	P1200050	55	12	16
Wave Spring Washer A,B, C Pillar Mtg	0330408	79	22	40
Wave Spring Washer Horn Mtg	P1200050	85	24	43
Wave Spring Washer M10 Rear & front Eng Mtg	0330328	69	18	31
Wave Spring Washer M12 Shock Absorber mtg	A200190	69	18	8
Wave Spring Washer M5	0330308	45	9	4
Wave Spring Washer M5	0330308	77	21	3
Wave Spring Washer M5 Mob charger	0330308	65	16	36
Wave Spring Washer M6	0330418	55	12	23
Wave Spring Washer M6 Fan mtg	P1200050	21	1	47
Wave Spring Washer M6 Tail Door & Lid F Tank Mtg	P1200050	81	23	31
Wave Spring Washer M6 3 Way Union	P1200050	77	21	16
Wave Spring Washer M6 Front Fender	P1200050	61	15	13
Wave Spring Washer M6 Handle Soft Top	P1200050	83	23	48
Wave Spring Washer M6 Wheel Cylinder Mtg	P1200050	77	21	28
Wave Spring Washer M6 Znb	0330408	55	12	8
Wave Spring Washer M6 Zng	P1200050	47	10	15
Wave Spring Washer M6 Zng	P1200050	61	15	45
Wave Spring Washer M6 Zng	0330408	87	24	54
Wave Spring Washer M6 Zng Drvr Bak Rest Mtg	P1200050	89	25	18
Wave Spring Washer M6 Zng PasS Seat Mtg	P1200050	89	25	3
Wave Spring Washer M8	0330318	31	3	2
Wave Spring Washer M8	0330318	45	9	16
Wave Spring Washer M8 Cabin Mtg	G5110210	81	23	2
Wave Spring Washer M8 Driver Seat Frame Mtg	G5110210	89	25	33
Wave Spring Washer M8 Gear Shifter Pulley	0330318	25	2	41
Wave Spring Washer M8 Link Rod Eng Mtg	G5110210	79	22	24
Wave Spring Washer M8 Muffler Mtg To Chassis	0330318	55	12	13
Wave Spring Washer M8 Zng Resilient Mtg	G5110210	69	18	37
Wave Spring Washer Shock Absorber	A200190	61	15	35



